

Distributed by:

JAMECO[®]
ELECTRONICS

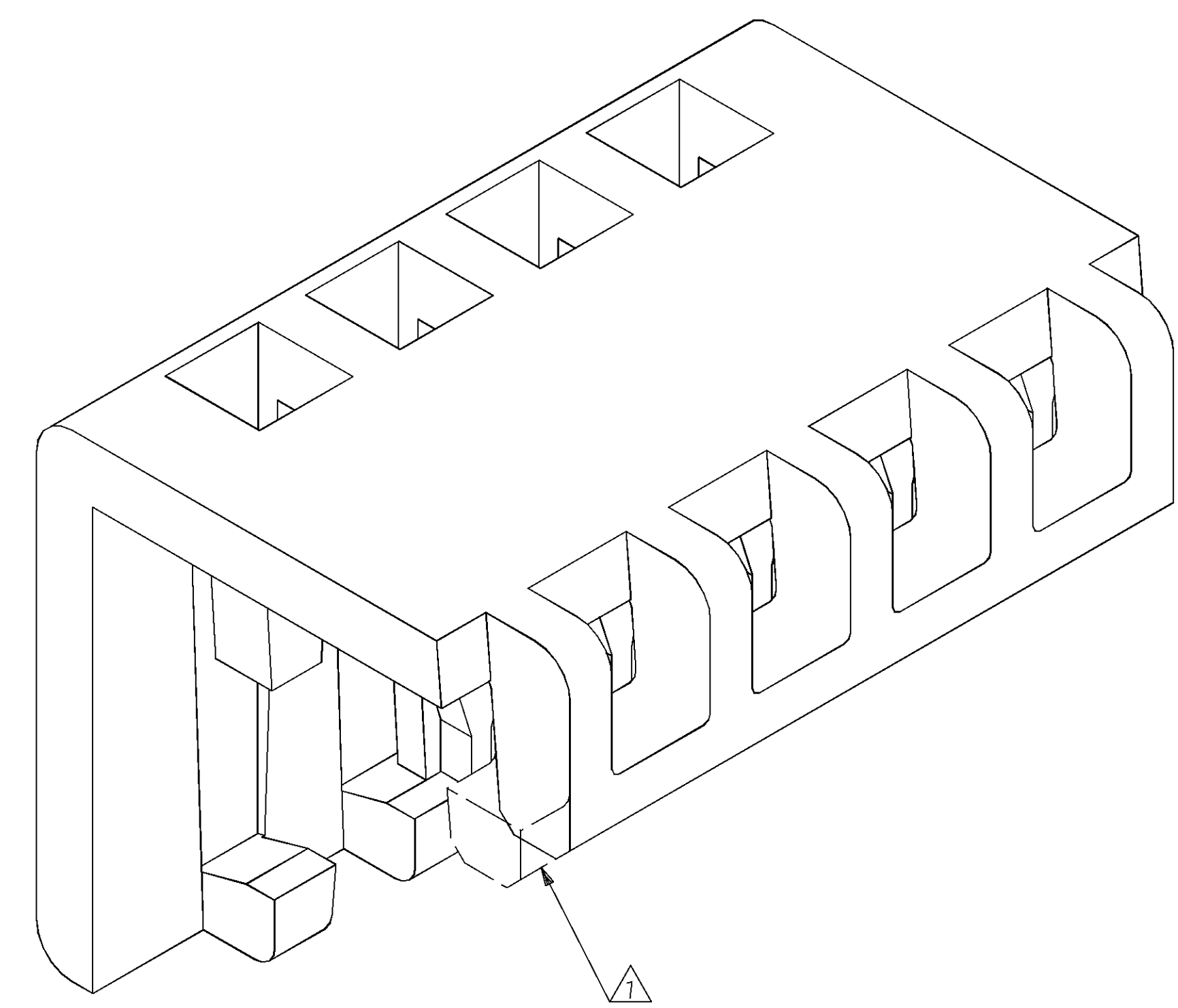
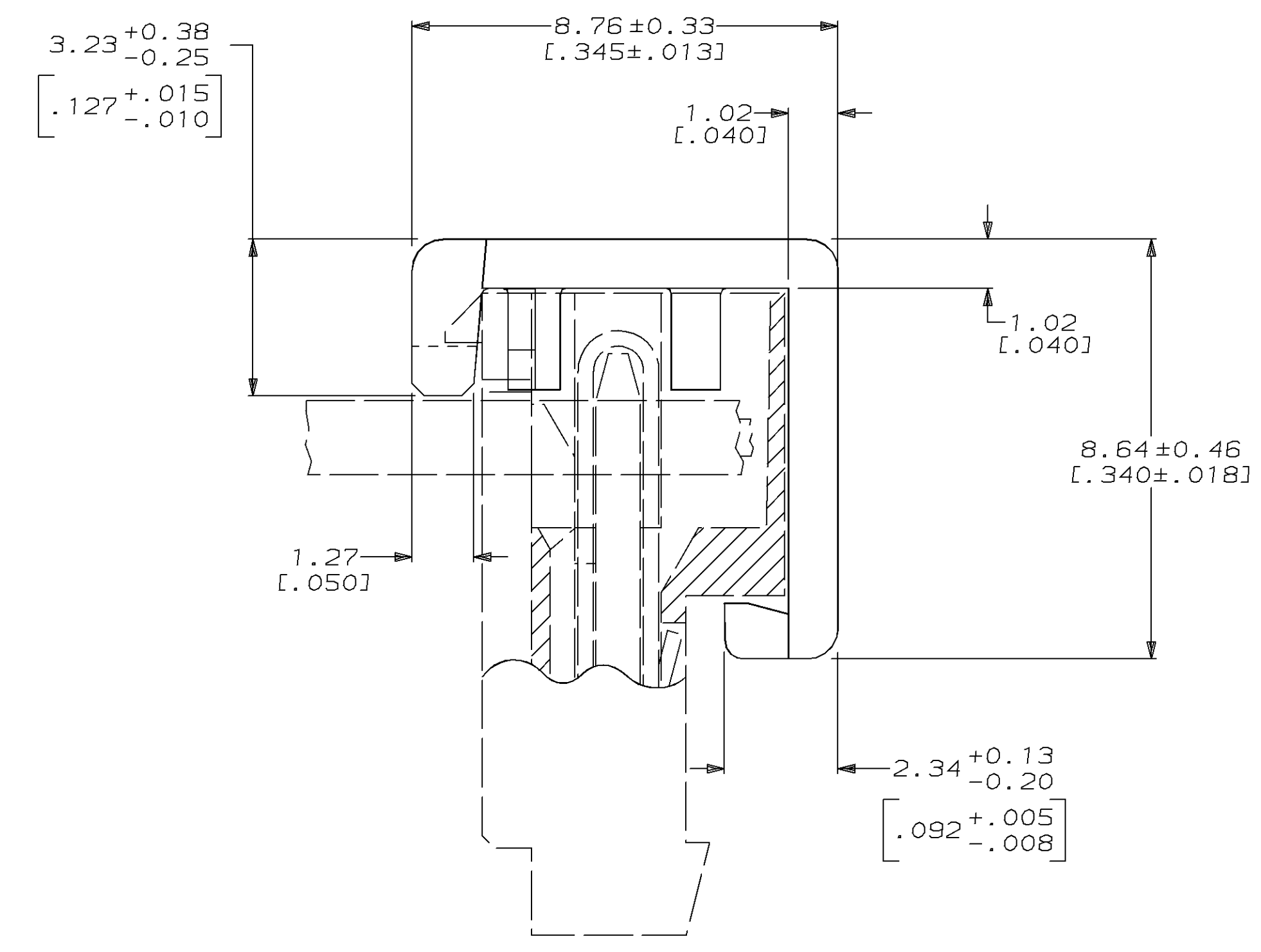
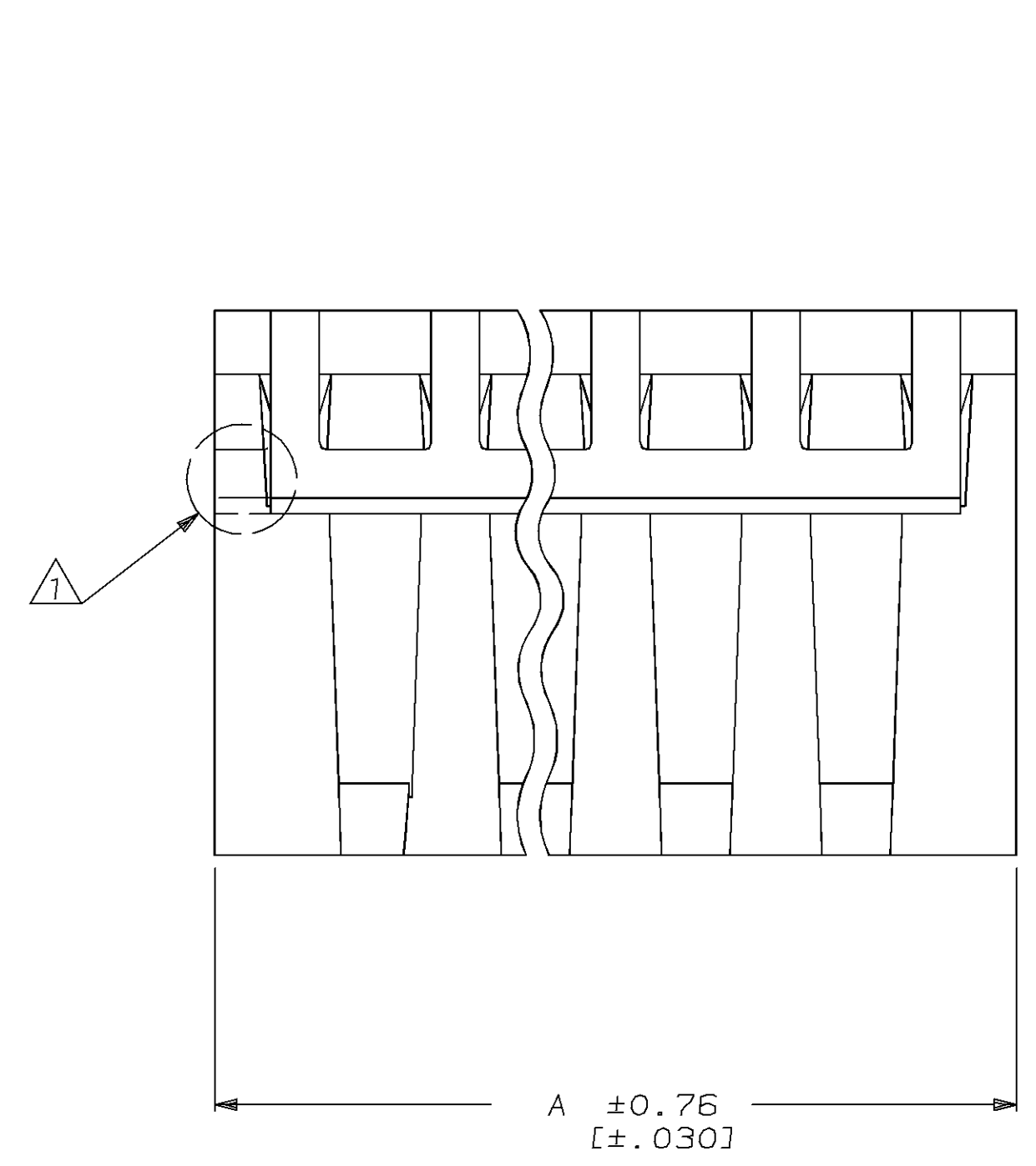
www.Jameco.com ♦ 1-800-831-4242

The content and copyrights of the attached
material are the property of its owner.

Jameco Part Number 742151

LOC		DIST		P		ZONE		LTR		REVISIONS		
CM	54									DESCRIPTION	DATE	APPD
										G REV PER EC 0730-0219-95	12-11-95	JH RS

1. PART MAY BE MOLDED TO DESIRED POSITION SIZE OR CUT TO DESIRED POSITION SIZE FROM A LARGER POSITION SIZE PART. WHEN PART IS CUT TO DESIRED POSITION SIZE, A PORTION OF FRONT LOCKING BAR WILL REMAIN ATTACHED.
2. DIMENSIONS IN BRACKETS ARE IN INCHES.
3. TWO POSITION (-2) PARTS WILL BE MOLDED ONLY.



3-DIMENSIONAL MODEL
NTS

28	CIRCUIT ASSEMBLES	71.12	[2.800]	2-643075-8
27	CIRCUIT ASSEMBLES	68.58	[2.700]	2-643075-7
26	CIRCUIT ASSEMBLES	66.04	[2.600]	2-643075-6
25	CIRCUIT ASSEMBLES	63.50	[2.500]	2-643075-5
24	CIRCUIT ASSEMBLES	60.96	[2.400]	2-643075-4
23	CIRCUIT ASSEMBLES	58.42	[2.300]	2-643075-3
22	CIRCUIT ASSEMBLES	55.88	[2.200]	2-643075-2
21	CIRCUIT ASSEMBLES	53.34	[2.100]	2-643075-1
20	CIRCUIT ASSEMBLES	50.80	[2.000]	2-643075-0
19	CIRCUIT ASSEMBLES	48.26	[1.900]	1-643075-9
18	CIRCUIT ASSEMBLES	45.72	[1.800]	1-643075-8
17	CIRCUIT ASSEMBLES	43.18	[1.700]	1-643075-7
16	CIRCUIT ASSEMBLES	40.64	[1.600]	1-643075-6
15	CIRCUIT ASSEMBLES	38.10	[1.500]	1-643075-5
14	CIRCUIT ASSEMBLES	35.56	[1.400]	1-643075-4
13	CIRCUIT ASSEMBLES	33.02	[1.300]	1-643075-3
12	CIRCUIT ASSEMBLES	30.48	[1.200]	1-643075-2
11	CIRCUIT ASSEMBLES	27.94	[1.100]	1-643075-1
10	CIRCUIT ASSEMBLES	25.40	[1.000]	1-643075-0
9	CIRCUIT ASSEMBLES	22.86	[.900]	643075-9
8	CIRCUIT ASSEMBLES	20.32	[.800]	643075-8
7	CIRCUIT ASSEMBLES	17.78	[.700]	643075-7
6	CIRCUIT ASSEMBLES	15.24	[.600]	643075-6
5	CIRCUIT ASSEMBLES	12.70	[.500]	643075-5
4	CIRCUIT ASSEMBLES	10.16	[.400]	643075-4
3	CIRCUIT ASSEMBLES	7.62	[.300]	643075-3
2	CIRCUIT ASSEMBLES	5.08	[.200]	643075-2
USE ON MTA 100 ASSEMBLIES AS LISTED		A		PART NO

DO NOT SCALE PRINT. UNLESS SPECIFIED DIMENSIONS IN mm [INCHES] TOLERANCES ON:		DR		AMP AMP Incorporated Harrisburg, PA 17105-3608	
2 PLC DEC ± -		CHK			
3 PLC DEC ± 0.13 [.005]		APPD		NAME	
ANGLES ± -		APPD		COVER, MOLDED, .060 MAX	
MATERIAL		PRODUCT SPEC		O.D. WIRE, MTA-100	
NYLON, UL 94V-2 WHITE		APPLICATION SPEC		SIZE	CAGE CODE
FINISH		WEIGHT		D	00779
				SCALE	10:1
				DRAWING NO	643075
				SHEET	1 OF 1

