

Distributed by:

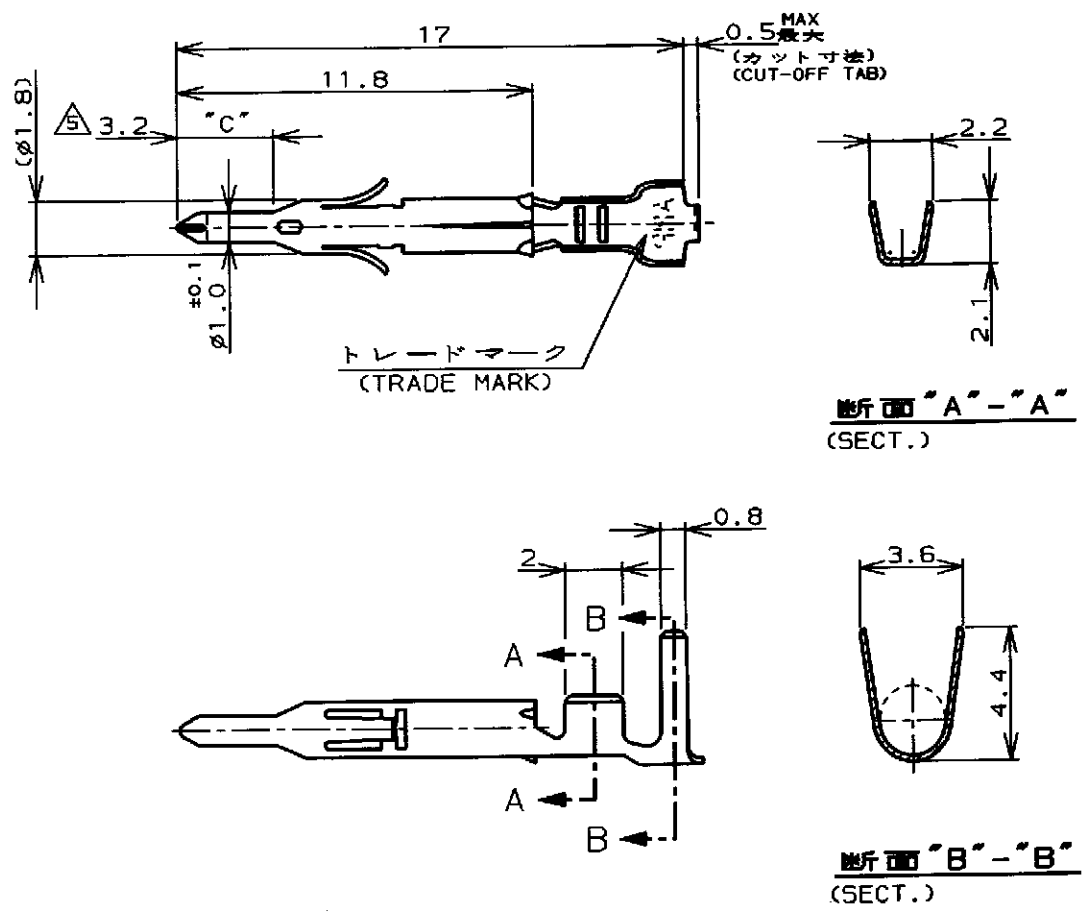
**JAMECO**<sup>®</sup>  
ELECTRONICS

**www.Jameco.com ♦ 1-800-831-4242**

The content and copyrights of the attached  
material are the property of its owner.

Jameco Part Number 742258

| LOC |     | DIST        |         | REVISIONS    |           |      |    |  |
|-----|-----|-------------|---------|--------------|-----------|------|----|--|
| P   | LTR | DESCRIPTION | ECN     | DATE         | DWN       | APVD |    |  |
| J   |     | C           | REDRAWN | FJ00-0993-98 | 11 JUN 98 | T.Y  | MS |  |



- 注記; NOTES;
- |  |  |
|--|--|
| 1. 使用ハウジングはキャップ及びプラグ                     | 1. APPLICABLE HOUSING : CAP AND PLUG.                              |
| ② 製品規格 108-5138                          | ② PRODUCT SPECIFICATION 108-5138                                   |
| ③ 取付適用規格 114-5050                        | ③ APPLICATION SPECIFICATION 114-5050                               |
| 4. 取扱説明書 IS-105J                         | 4. INSTRUCTION SHEET IS-105J                                       |
| ⑤ 全面ニッケルめっき上の領域"C"に<br>0.76μm最小の金めっきを施す。 | ⑤ SELECTIVE GOLD PLATED AREA "C"<br>0.76μm MIN THK OVER Ni PLATED. |
| ⑥ 2本圧着の被覆外径は、3.4mm最大。                    | ⑥ DOUBLE CRIMPING INSURATION DIA<br>3.4mm MAX.                     |

|                                  |                                 |                        |             |
|----------------------------------|---------------------------------|------------------------|-------------|
|                                  | 錫めつき付・燐青銅<br>(PRE-TIN・PHOS BRO) | -4                     | -4          |
|                                  | 金めつき・黄銅<br>(GOLD PLATE・BRASS) ⑤ | -3                     | -3          |
| 170361, 170362<br>170365, 170366 | 錫めつき付・黄銅<br>(PRE-TIN・BRASS)     | 170360-1               | 170364-1    |
| 嵌合相手型番<br>(MATING P/N)           | 材料・仕上<br>(MATERIAL・FINISH)      | 連鎖状端子型番<br>(STRIP P/N) | 型番<br>(P/N) |

|   |                                       |
|---|---------------------------------------|
| WIRE RANGE<br>包含電線断面積<br>0.30~0.89mm <sup>2</sup> (AWG #22~#18) | INSULATION DIA<br>被覆外径<br>⑥ 1.5~2.4mm |
|---|---------------------------------------|

|  |                              |
|--|------------------------------|
| DIMENSIONS:<br>単位 概<br>mm  | DWN<br>T. Yamamoto 11 JUN 98 |
| TOLERANCES UNLESS<br>OTHERWISE SPECIFIED:<br>一般公差<br>±0.4, ±1°0' | CHK<br>M. Glue 15 JUN 98     |
|  | APVD<br>M. Glue 15 JUN 98    |
| PRODUCT SPEC<br>製品規格<br>注記参照 (SEE NOTES) ②                       |                              |
| APPLICATION SPEC<br>取付適用規格<br>注記参照 (SEE NOTES) ③                 |                              |
| WEIGHT<br>---  |                              |
| CUSTOMER DRAWING   |                              |

|  |                                 |
|--|---------------------------------|
| MATERIAL<br>材料<br>表参照 (SEE TABLE) 0.2t   | FINISH<br>仕上<br>表参照 (SEE TABLE) |
| <b>AMP</b><br>日本エー・エム・ピー株式会社<br>Kawasaki, Japan  |                                 |
| NAME<br>名称<br>ミニユニバーサルメイトンロックピンコンタクトばら状端子<br>MINI UNIVERSAL MATE-N-LOK PIN CONTACT LOOSE PIECE |                                 |
| SIZE<br>A4   | CAGE CODE<br>00779              |
| DRAWING NO<br>番号<br>C-170364   |                                 |
| SCALE<br>尺度<br>---   | SHEET 1 OF 1 REV C              |

THIS DRAWING IS UNPUBLISHED. BY AMP INCORPORATED. ALL RIGHTS RESERVED. .19 . COPYRIGHT 19