

Distributed by:

JAMECO[®]
ELECTRONICS

www.Jameco.com ♦ 1-800-831-4242

The content and copyrights of the attached
material are the property of its owner.

Jameco Part Number 742354

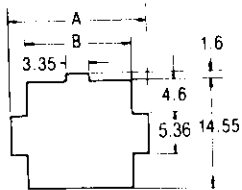
Wire to Board Connectors

Mini-Universal MATE-N-LOK Connectors

Wire Application Side

Housings (Cont'd) 9, 12 and 15 Circuits (For Panel Mount Applications)

Material : 66 Nylon



Cap Housing Panel Cutout

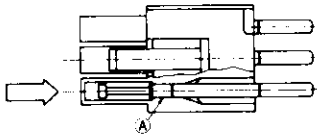
No. of Circuits	Dimensions	
	A	B
9	19.1	14.55
12	23.29	18.75
15	27.43	22.96

2, 3 and 4 Circuits (For Free-Hanging Applications)

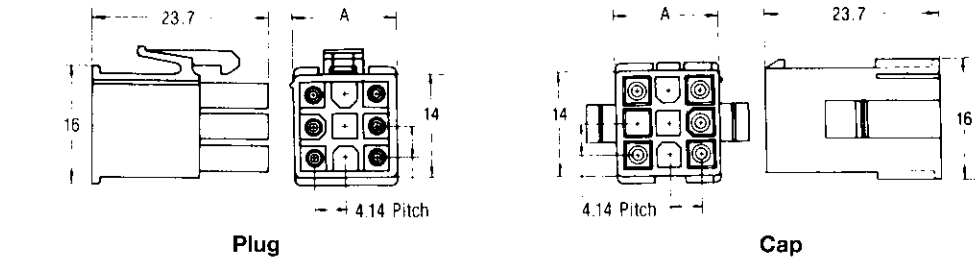
Hermaphroditic Type Housing for Power Circuit

Material : UL94V-2 and 94V-0 rated, Nylon

Test Probe Contacts



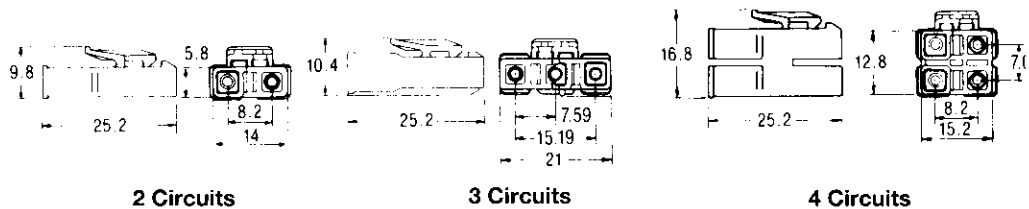
Performance Data



No. of Circuits	Dim. A	Housing Part No.			
		UL94V-0		UL94V-2	
		Plug	Panel Mount Cap	Plug	Panel Mount Cap
9	14.0	172169-1	172161-1	172340-1	172332-1
12	18.2	172170-1	172162-1	172341-1	172333-1
15	22.4	172171-1	172163-1	172342-1	172334-1

Note : Housing colors are all natural. Other colors, red, green, blue and black, are also available. When ordering, attach appropriate dash numbers as follows.

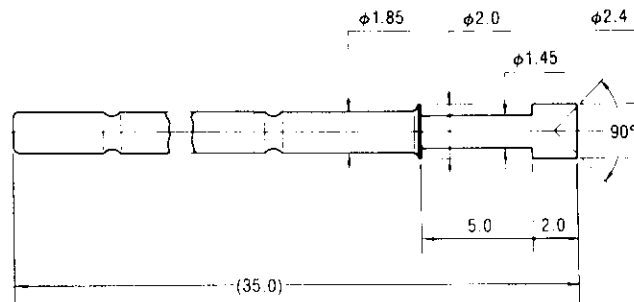
(Red) : 1-□-2 (Green) : 1-□-5 (Blue) : 1-□-6 (Black) : 1-□-9



Part No. : 172807-1 UL94V-2

Part No. : 172808-1 UL94V-2
Part No. : 173957-1 UL94V-0

Part No. : 172809-1 UL94V-2



Part No. : 172971-1
(Phosphor Bronze/Nickel Plated)

Notes :

1. The test probe can be inserted in the direction of arrow as shown and secured in the housing.
2. In case the probe comes off after mounting in the housing, fix (A) section with adhesive, etc.
3. Can be used with the cap housing (also used with the plug housing).
4. Test probes are supplied unassembled.

■Voltage Rating :

300V AC 600V DC max.
VDE Rated 250V max.

■Overall Low Level

Resistance : 10mΩ max.

■Insulation Resistance :

1,000MΩ min. (initial)
100MΩ min. (after test)

■Dielectric Withstand

■Voltage :

1.5KV AC, at volage rise
500V/second (for 1 minute)

■Operating Temperature :

-20~+105°C (Max.
temperature includes
temperature rise by load
current)

■Product Spec.

108-5138 (UL94V-0 rated)
108-5151 (UL94V-2 rated)

■Application Spec.

114-5050

■Instruction Sheet :

IS-105J

■Applicable PC Board

Thickness : 0.8~2.0mm