

Distributed by:

JAMECO[®]
ELECTRONICS

www.Jameco.com ♦ 1-800-831-4242

The content and copyrights of the attached
material are the property of its owner.

Jameco Part Number 742442

THIS DRAWING IS UNPUBLISHED. RELEASED FOR PUBLICATION
 © COPYRIGHT BY TYCO ELECTRONICS CORPORATION. ALL RIGHTS RESERVED.

LOC	DIST	REVISIONS					
J	-	P	LTR	DESCRIPTION	DATE	DWN	APVD
		C		REVISED FJDO-0224-04	13NOV'03	Y.Y	N.Y
		C1		REVISED ECR-05-014527	01NOV.2005	Y.Y	N.Y

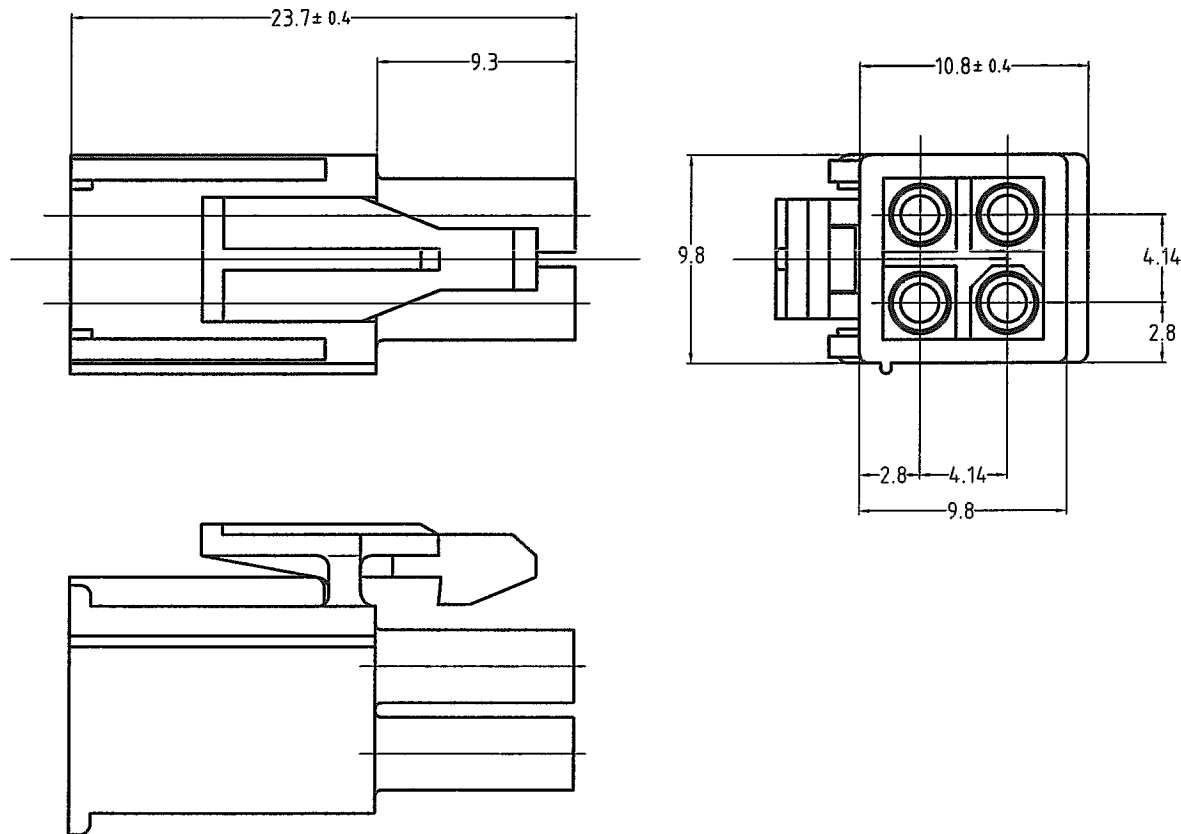
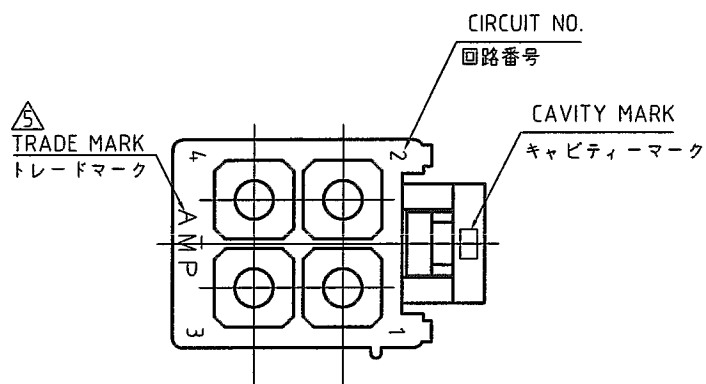


表 1 TABLE 1

TRADE MARK	MANUFACTURING PLACE
-AMP OR AMP	JAPAN
-AMP OR AMP	CHINA(PRC)

黄 (YELLOW)	1-172338-4
黒 (BLACK)	1- -9
青 (BLUE)	1- ▲ -6
緑 (GREEN)	1- -5
赤 (RED)	1- -2
自然色 (NATURAL)	172338-1
色 (COLOR)	型番 (PART NO.)

- NOTE)
1. APPLIED CONTACT P/N:170359,170360,170361,170362
 2. MATING CONN. :CAP HOUSING P/N:172330
 3. INSTRUCTION SHEET :IS-105J
 4. PRODUCT SPEC :108-5151
 5. SEE TABLE1

- 注記)
1. 使用端子親型番は170359,170360,170361,170362
 2. 嵌合相手キャップハウジング型番は口-172330-口
 3. 取扱説明書 :IS-105J
 4. 製品規格 :108-5151
 5. 表1参照

THIS DRAWING IS A CONTROLLED DOCUMENT.		DWN A.OISHI 10 SEP.03		tyco Tyco Electronics AMP K.K.	
DIMENSIONS: 単位: 耗 MM		CHK M.SHINDO 10 SEP.03		Electronics Kawasaki, Japan	
TOLERANCES UNLESS OTHERWISE SPECIFIED: 一般公差		APVD M.SHINDO 10 SEP.03		NAME 名称	
0 PLC ± 0.3		PRODUCT SPEC 製品規格		MINI UNIVERSAL MATE-N-LOK	
1 PLC ± 0.3		APPLICATION SPEC 取付適用規格		PLUG HOUSING 4Pos.	
2 PLC ± 0.3		WEIGHT		(UL94V-2)	
3 PLC ± -		SIZE A3		CAGE CODE 00779	
4 PLC ± -		DRAWING NO 番号		C-172338	
ANGLES ± 1'		RESTRICTED TO		-	
MATERIAL 材料 66 NYLON UL94V-2		FINISH 仕上		SCALE 尺度 3:1	
		CUSTOMER DRAWING		SHEET 1 OF 1	
				REV C1	