

Distributed by:

JAMECO[®]
ELECTRONICS

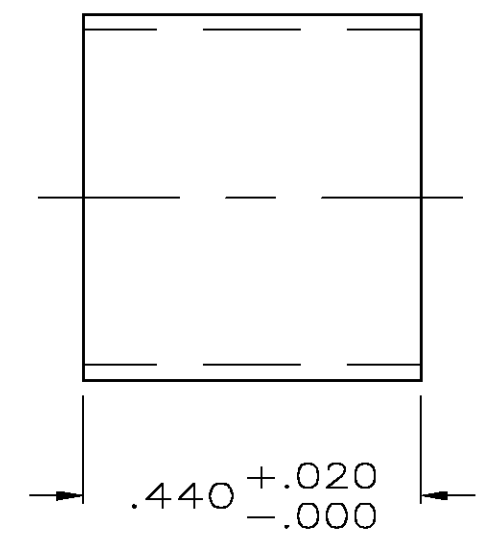
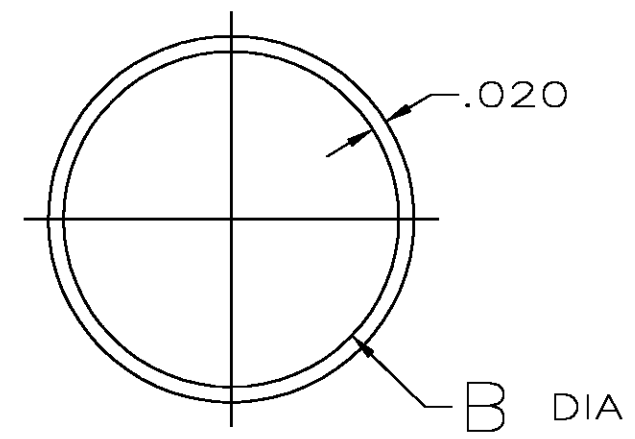
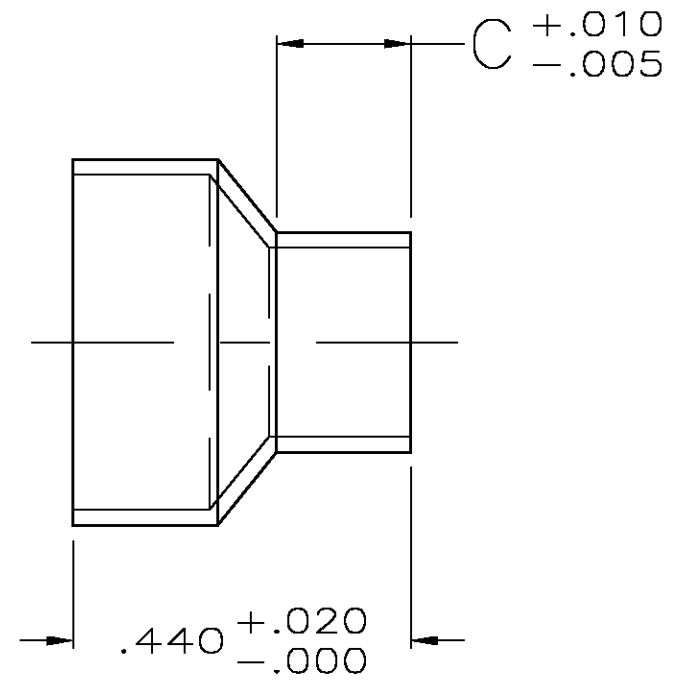
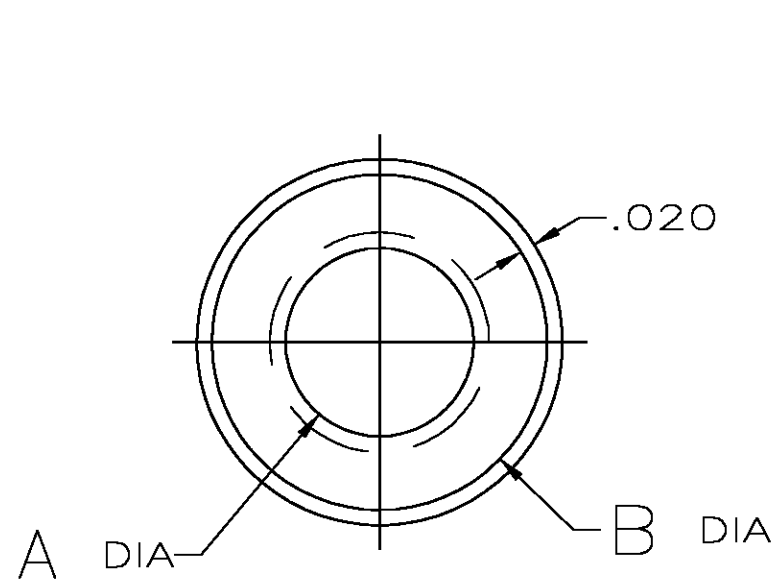
www.Jameco.com ♦ 1-800-831-4242

The content and copyrights of the attached
material are the property of its owner.

Jameco Part Number 742709

THIS DRAWING IS UNPUBLISHED. RELEASED FOR PUBLICATION
 © COPYRIGHT BY TYCO ELECTRONICS CORPORATION. ALL RIGHTS RESERVED.

LOC	DIST	REVISIONS			
P	LTR	DESCRIPTION	DATE	DWN	APVD
GP	00	K	REVISED PER EC OS13-0203-04	18FEB04	BM JG



STYLE I (STEPPED)

STYLE II (STRAIGHT)

① .000200 MIN BRIGHT TIN-LEAD OVER .000100 MIN COPPER.
 ② .000200 MIN BRIGHT TIN OVER .000100 MIN COPPER.

FINISH	STYLE	INSULATION RANGE DIAMETER, REF	C	B	A	PART NUMBER
②	I I	.460-.400	-	.460	-	3-747579-6
②	I	.375-.324	.175	.437	.375	3-747579-4
②	I	.324-.246	.175	.437	.324	3-747579-2
②	I	.246-.165	.175	.437	.246	3-747579-0
②	I I	.437-.375	-	.437	-	2-747579-7
①	I I	.460-.400	-	.460	-	1-747579-4
①	I I	.437-.375	-	.437	-	1-747579-2
①	I	.375-.324	.175	.437	.375	1-747579-1
①	I	.324-.246	.175	.437	.324	1-747579-0
①	I	.246-.165	.175	.437	.246	747579-8

THIS DRAWING IS A CONTROLLED DOCUMENT.		DWN B. MCMASTER 21MAY04	Tyco Electronics Corporation Harrisburg, Pa 17105-3608		
DIMENSIONS: INCHES	TOLERANCES UNLESS OTHERWISE SPECIFIED:	CHK J. GERACE 21MAY04	NAME M. WALMSLEY 21MAY04		
	0 PLC ± -	APVD M. WALMSLEY 21MAY04	PRODUCT SPEC		
	1 PLC ± -	APPLICATION SPEC	-		
MATERIAL STEEL, ANNEALED	FINISH SEE TABLE	WEIGHT -	SIZE A3	CAGE CODE 00779	DRAWING NO C-747579
CUSTOMER DRAWING			RESTRICTED TO -	SCALE 4:1	SHEET 1 OF 1