

Distributed by:

JAMECO[®]
ELECTRONICS

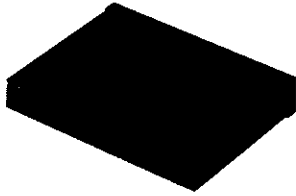
www.Jameco.com ♦ 1-800-831-4242

The content and copyrights of the attached
material are the property of its owner.

Jameco Part Number 742961

**Wire-Applied Housings for Locking Clip Contacts,
Single-Row, .100 [2.54] Centerline**

Single-Row



Material:

Glass-filled polyester, 94V-0 rated

Related Product Data:

Contacts—page 224

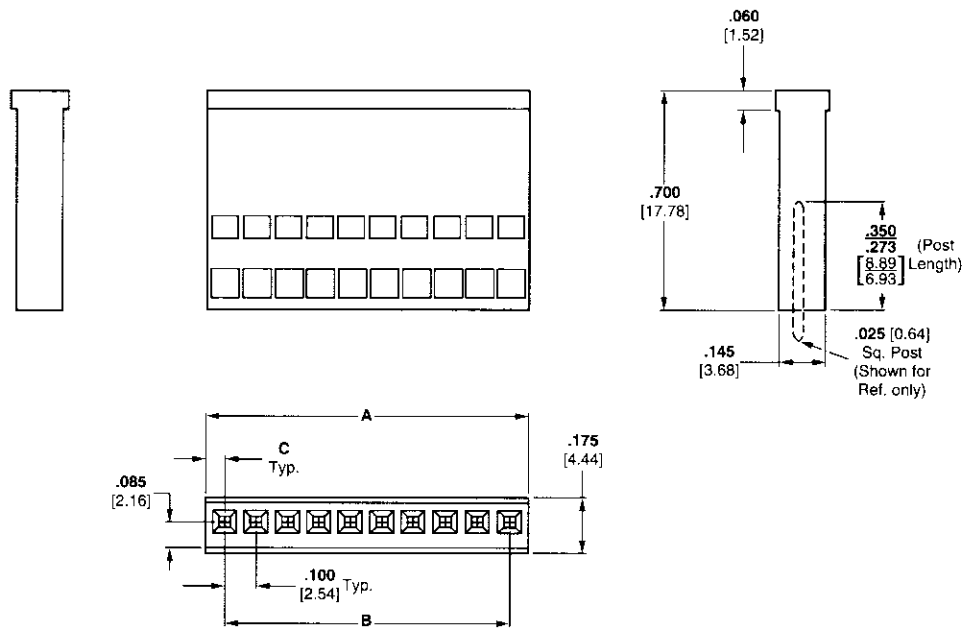
Mateable Headers and Posts—
Refer to the Mating Post Selection
Guide—page 89

Technical Documents (pages 295,
296):

Product Specification 108-36028,
108-36028-1

Application Specification
114-25006

**.125 [3.18] centerline single-row,
2 and 3 position housings are
available, Base Part No. 104905.
They are designed to be stackable
end-to-end and side-by-side.
Consult Tyco Electronics.**



Note: Housing illustrated above is the "Both Ends Closed" version.

Keying Plug:



Part No. 87179-1

(Plugs directly into housings for
.025 [0.64] square post contacts)

Material—Yellow, nylon

No. of Pos.	Dimensions			Housing Part No.	
	A	B	C	Unstamped	Stamped
1	.108 [2.74]	—	.054 [1.37]	87175-2	—
2	.216 [5.49]	.100 [2.54]	.058 [1.47]	87175-6	—
3	.316 [8.03]	.200 [5.08]	.058 [1.47]	87175-8	—
4	.416 [10.57]	.300 [7.62]	.058 [1.47]	1-87175-0	—
5	.516 [13.11]	.400 [10.16]	.058 [1.47]	1-87175-2	—
6	.616 [15.65]	.500 [12.70]	.058 [1.47]	1-87175-4	1-87175-3
7	.716 [18.19]	.600 [15.24]	.058 [1.47]	1-87175-6	1-87175-5
8	.816 [20.73]	.700 [17.78]	.058 [1.47]	1-87175-8	1-87175-7
9	.916 [23.27]	.800 [20.32]	.058 [1.47]	2-87175-0	1-87175-9
10	1.016 [25.81]	.900 [22.86]	.058 [1.47]	2-87175-2	2-87175-1
11	1.116 [28.35]	1.000 [25.40]	.058 [1.47]	2-87175-4	2-87175-3
12	1.216 [30.89]	1.100 [27.94]	.058 [1.47]	2-87175-6	2-87175-5
13	1.316 [33.43]	1.200 [30.48]	.058 [1.47]	2-87175-8	2-87175-7
14	1.416 [35.97]	1.300 [33.02]	.058 [1.47]	3-87175-0	2-87175-9
15	1.516 [38.51]	1.400 [35.56]	.058 [1.47]	87175-4	87175-3