

Distributed by:

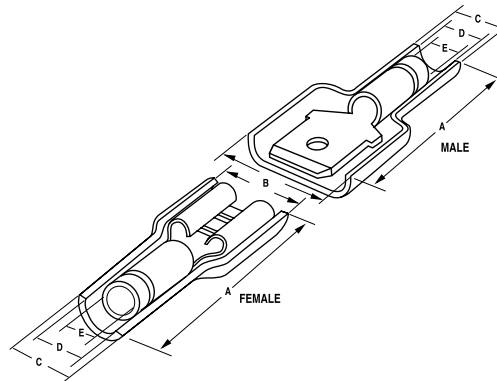
**JAMECO**<sup>®</sup>  
ELECTRONICS

**www.Jameco.com ♦ 1-800-831-4242**

The content and copyrights of the attached  
material are the property of its owner.

Jameco Part Number 743111

The Avikrimp version of the Fully Insulated Quick Disconnects gives you the extra advantage of the secure metal support sleeve. These parts fulfill the double crimp (support) requirements of VDE and other DIN specifications. They are the premier line when full insulation and strain relief are required.



**ORDERING INFORMATION AND DIMENSIONS**

Fully Insulated Male Quick Disconnects (Standard Flare)											
Wire Range AWG (mm <sup>2</sup> )	Male Tab Size (in.)	Loose Piece Order No.	Mylar Tape Order No.	Metal Strip Order No.	Color	Stock (in.)	Dimension (in.)				
							A Max.	B Max.	C Max.	D MWID	E Min.
18-22 (0.80-0.35)	.250 by .032	19001-0001	19001-0002		Red	.031	.960	.450	.220	.140	.056
	.187 by .020	19001-0003	19001-0005		Red	.020	.900	.380	.220	.140	.056
14-16 (2.00-1.30)	.250 by .032	19001-0006	19001-0007		Blue	.031	.960	.450	.250	.170	.084
	.187 by .020	19001-0008	19001-0009		Blue	.020	.900	.380	.250	.170	.084
10-12 (5.00-3.30)	.250 by .032	19001-0010	19001-0011		Yellow	.031	1.080	.450	.310	.230	.144

Fully Insulated Female Quick Disconnects (Standard Flare)											
Wire Range AWG (mm <sup>2</sup> )	Accepts Tab Size (in.)	Loose Piece Order No.	Mylar Tape Order No.	Metal Strip Order No.	Color	Stock (in.)	Dimension (in.)				
							A Max.	B Max.	C Max.	D MWID	E Min.
18-22 (0.80-0.35)	.250 by .032	19002-0001	19002-0002	19002-0004	Red	.016	.890	.380	.190	.125	.062
	.187 by .020	19002-0005	19002-0007	19002-0008	Red	.016	.800	.320	.190	.125	.062
	.187 by .032	19002-0009	19002-0010	19002-0012	Red	.016	.800	.320	.190	.125	.056
	.205 by .020	19002-0019	19002-0020	19002-0059	Red	.016	.800	.320	.190	.125	.062
	.205 by .032	19002-0021	19002-0022	19002-0023	Red	.016	.800	.320	.190	.125	.062
	.110 by .020	19002-0013	19002-0014	19002-0015	Red	.012	.800	.230	.190	.125	.056
	.110 by .032	19002-0016	19002-0017	19002-0018	Red	.012	.800	.230	.190	.125	.056
14-16 (2.00-1.30)	.250 by .032	19002-0024	19002-0025	19002-0027	Blue	.016	.890	.380	.220	.155	.082
	.187 by .020	19002-0028	19002-0029	19002-0030	Blue	.016	.800	.320	.220	.155	.082
	.187 by .032	19002-0031	19002-0032	19002-0033	Blue	.016	.800	.320	.220	.155	.082
	.205 by .020	19002-0040	19002-0048	19002-0041	Blue	.016	.800	.320	.220	.155	.082
	.205 by .032	19002-0042	19002-0043	19002-0061	Blue	.016	.800	.320	.220	.155	.082
	.110 by .020	19002-0034	19002-0035	19002-0036	Blue	.012	.800	.230	.220	.155	.082
	.110 by .032	19002-0037	19002-0038	19002-0039	Blue	.012	.800	.230	.220	.155	.082
10-12 (5.00-3.30)	.250 by .032	19606-0005	19606-0006	19606-0004	Yellow	.031	1.01	.380	.310	.230	.120

Fully Insulated Female Quick Disconnects (Expanded Flare/Oval Barrel)											
Wire Range AWG (mm <sup>2</sup> )	Male Tab Size (in.)	Loose Piece Order No.	Mylar Tape Order No.	Metal Strip Order No.	Color	Stock (in.)	Dimension (in.)				
							A Max.	B Max.	C Max.	D MWID*	E Min.
14-12 (3.30-2.00)	.250 by .032	*19600-1300	19600-1306		Yellow	.031	.940	.380	.320	.27/.17	.120
	.187 by .020	*19600-1302	19600-1307		Yellow	.020	.870	.320	.320	.27/.17	.120
	.187 by .032	*19600-1304	19600-1308		Yellow	.032	.870	.320	.320	.27/.17	.120
10-12 (5.00-3.30)	.250 by .032	19002-0044	19002-0045	19002-0046	Yellow	.018	1.040	.380	.310	.245	.144

\*Note: MWID is oval for dual wire insertion

6

5

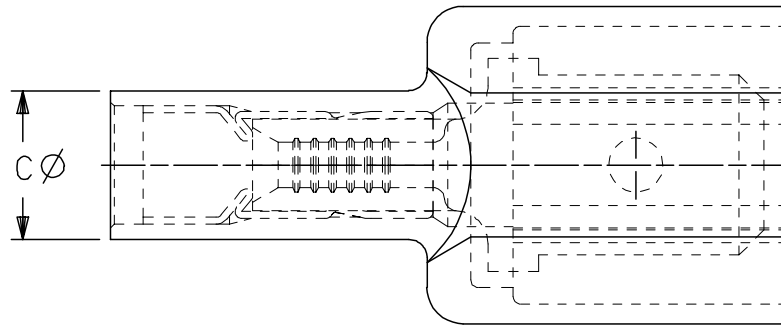
4

3

2

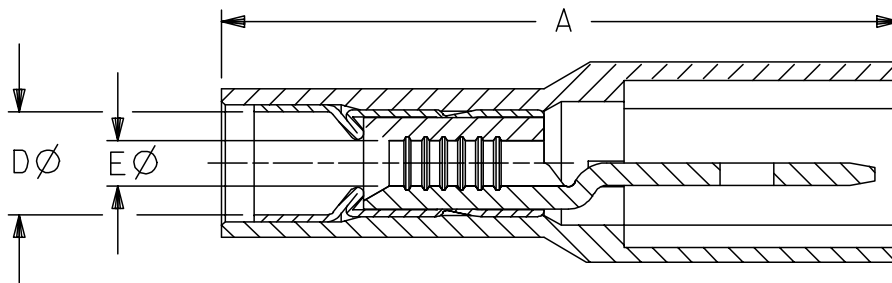
1

D

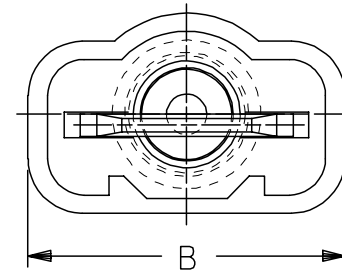


D

C



C



B

MATERIAL NO.	ENGINEERING NO.	WIRE SIZE	TAB SIZE	COLOR	STOCK THICKNESS	A MAX	B MAX	C MAX	D MWID	E MIN
190010001	AA-5260	22-18	.250x.032	RED	.031	.96	.45	.22	.140	.056
190010003	AA-5266	22-18	.187x.020	RED	.020	.90	.38	.22	.140	.056
190010006	BB-5262	16-14	.250x.032	BLUE	.031	.96	.45	.25	.170	.084
190010008	BB-5268	16-14	.187x.020	BLUE	.020	.90	.38	.25	.170	.115

(C)

NOTE:  
MWID= MAXIMUM WIRE  
INSULATION DIAMETER

A

A

REMOVED C-5264 EC NO: ETC2006-0090 DRWN:ASAYDEH 2005/11/22 CHKD:JLOMASTRO 2005/11/22 APPR:RDEROSS 2005/11/23	DESCRIPTION REV	QUALITY SYMBOLS	GENERAL TOLERANCES (UNLESS SPECIFIED)	DIMENSION STYLE IN/MM	SCALE ---	DESIGN UNITS INCH	THIRD ANGLE PROJECTION																											
		$\blacktriangledown=0$ $\nabla=0$	<table border="1"> <thead> <tr> <th></th> <th>mm</th> <th>INCH</th> </tr> </thead> <tbody> <tr> <td>4 PLACES</td> <td><math>\pm</math>---</td> <td><math>\pm</math>---</td> </tr> <tr> <td>3 PLACES</td> <td><math>\pm</math>---</td> <td><math>\pm</math>.005</td> </tr> <tr> <td>2 PLACES</td> <td><math>\pm</math>0.13</td> <td><math>\pm</math>.01</td> </tr> <tr> <td>1 PLACE</td> <td><math>\pm</math>0.25</td> <td><math>\pm</math>---</td> </tr> </tbody> </table>		mm	INCH	4 PLACES	$\pm$ ---	$\pm$ ---	3 PLACES	$\pm$ ---	$\pm$ .005	2 PLACES	$\pm$ 0.13	$\pm$ .01	1 PLACE	$\pm$ 0.25	$\pm$ ---	<table border="1"> <thead> <tr> <th>DRAWN BY</th> <th>DATE</th> </tr> </thead> <tbody> <tr> <td>RCM</td> <td>1990/05/11</td> </tr> <tr> <th>CHECKED BY</th> <th>DATE</th> </tr> <tr> <td>RDEROSS</td> <td>05/11/04</td> </tr> <tr> <th>APPROVED BY</th> <th>DATE</th> </tr> <tr> <td>RDEROSS</td> <td>05/11/04</td> </tr> </tbody> </table>	DRAWN BY	DATE	RCM	1990/05/11	CHECKED BY	DATE	RDEROSS	05/11/04	APPROVED BY	DATE	RDEROSS	05/11/04	TITLE AVIKRIMP FULLY INSULATED MALE TAB		
			mm	INCH																														
		4 PLACES	$\pm$ ---	$\pm$ ---																														
3 PLACES	$\pm$ ---	$\pm$ .005																																
2 PLACES	$\pm$ 0.13	$\pm$ .01																																
1 PLACE	$\pm$ 0.25	$\pm$ ---																																
DRAWN BY	DATE																																	
RCM	1990/05/11																																	
CHECKED BY	DATE																																	
RDEROSS	05/11/04																																	
APPROVED BY	DATE																																	
RDEROSS	05/11/04																																	
		ANGULAR $\pm$ ---°	MATERIAL NO. SEE CHART	MOLEX INCORPORATED																														
		DRAFT WHERE APPLICABLE MUST REMAIN WITHIN DIMENSIONS	SIZE A	DOCUMENT NO. SD-19001-003		SHEET NO. 1 OF 1																												

5

4

3

2

1