

Distributed by:

**JAMECO**<sup>®</sup>  
ELECTRONICS

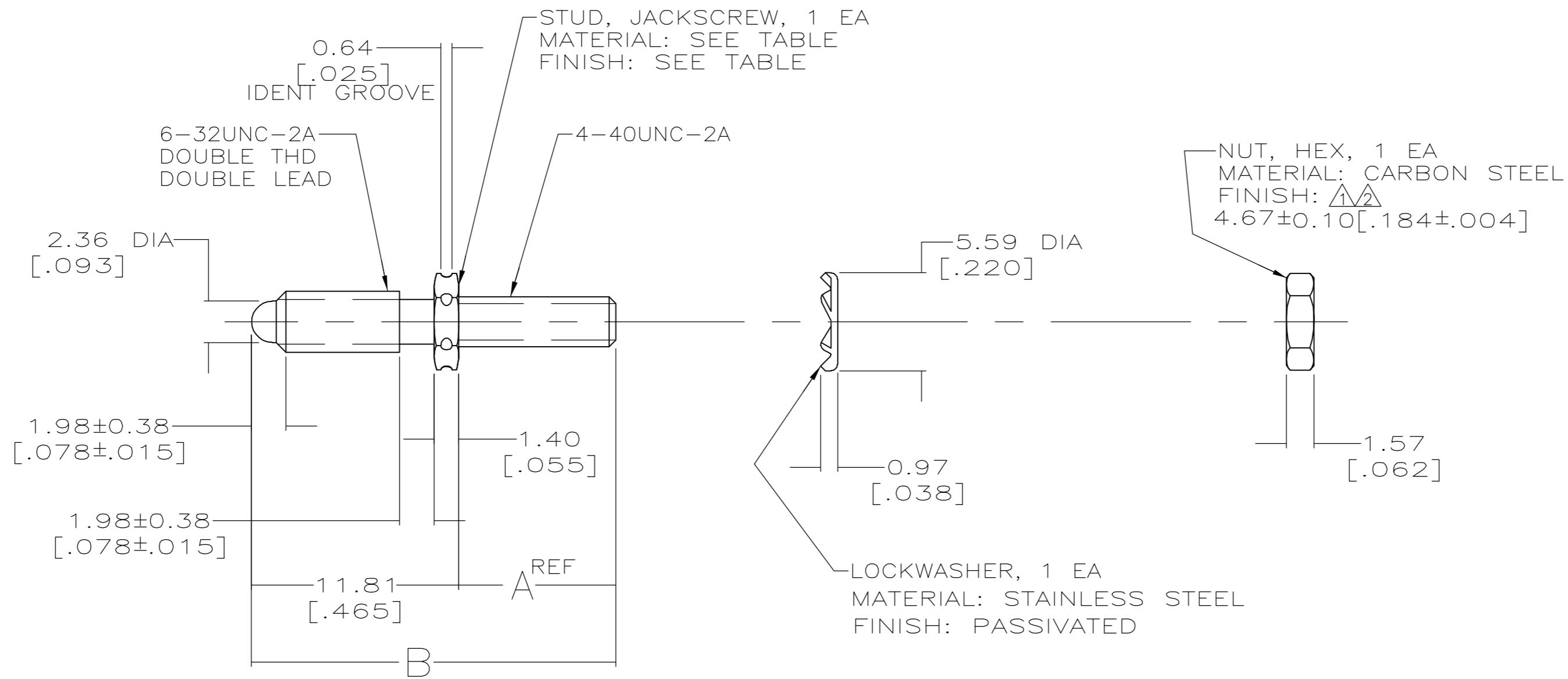
**www.Jameco.com ♦ 1-800-831-4242**

The content and copyrights of the attached  
material are the property of its owner.

Jameco Part Number 744093

THIS DRAWING IS UNPUBLISHED. RELEASED FOR PUBLICATION  
 © COPYRIGHT BY TYCO ELECTRONICS CORPORATION. ALL RIGHTS RESERVED.

LOC	DIST	REVISIONS			
P	LTR	DESCRIPTION	DATE	DWN	APVD
FT	0	AD2	REVISED PER ECO-05-13449	1/20/06	SS SRY



SUPERCEDED TO 200874-1

$\Delta\Delta$	-	STAINLESS STL	20.62 [.812]	8.81 [.347]	1-200874-2
$\Delta\Delta$	-	STAINLESS STL	23.80 [.937]	11.99 [.472]	200874-3
-	ZINC	CARBON STEEL	20.62 [.812]	8.81 [.347]	200874-2
$\Delta$	-	STAINLESS STL	20.62 [.812]	8.81 [.347]	200874-1
NUT FINISH	FINISH	MATERIAL	B	A	PART NUMBER
JACKSCREW STUD					

NOTE:

- $\Delta$  ZINC PLATE WITH HEXAVALENT CHROMIUM.
- $\Delta\Delta$  ZINC PLATE WITH NON-HEXAVALENT CHROMIUM.

THIS DRAWING IS A CONTROLLED DOCUMENT.		DWN C. OBERMAN 02/25/92	Tyco Electronics Corporation Harrisburg, PA 17105-3608	
DIMENSIONS: mm [INCHES]		CHK R. STONE 2-28-92		
TOLERANCES UNLESS OTHERWISE SPECIFIED:		APVD -	NAME JACKSCREW KIT, UNASSEMBLED, STUD, FIXED, M SERIES	
0 PLC ± - 1 PLC ± - 2 PLC ± 0.13 [.005] 3 PLC ± - 4 PLC ± - ANGLES ± - FINISH SEE CALLOUT		PRODUCT SPEC -	SIZE A2	CAGE CODE 00779
MATERIAL SEE CALLOUT		APPLICATION SPEC -	DRAWING NO C=200874	RESTRICTED TO -
		WEIGHT -	SCALE 4:1	SHEET 1 of 1
		CUSTOMER DRAWING	REV AD2	