

Distributed by:

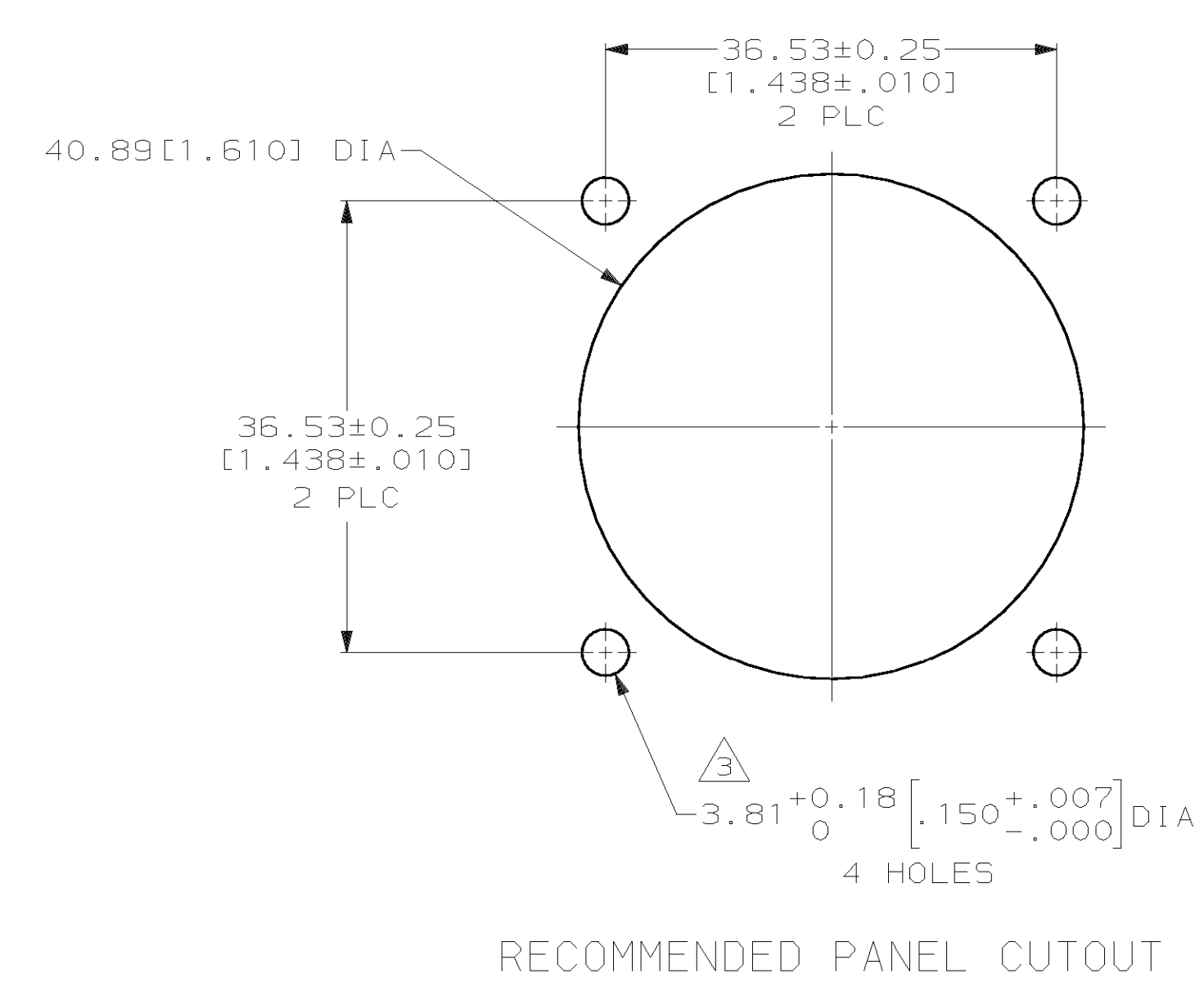
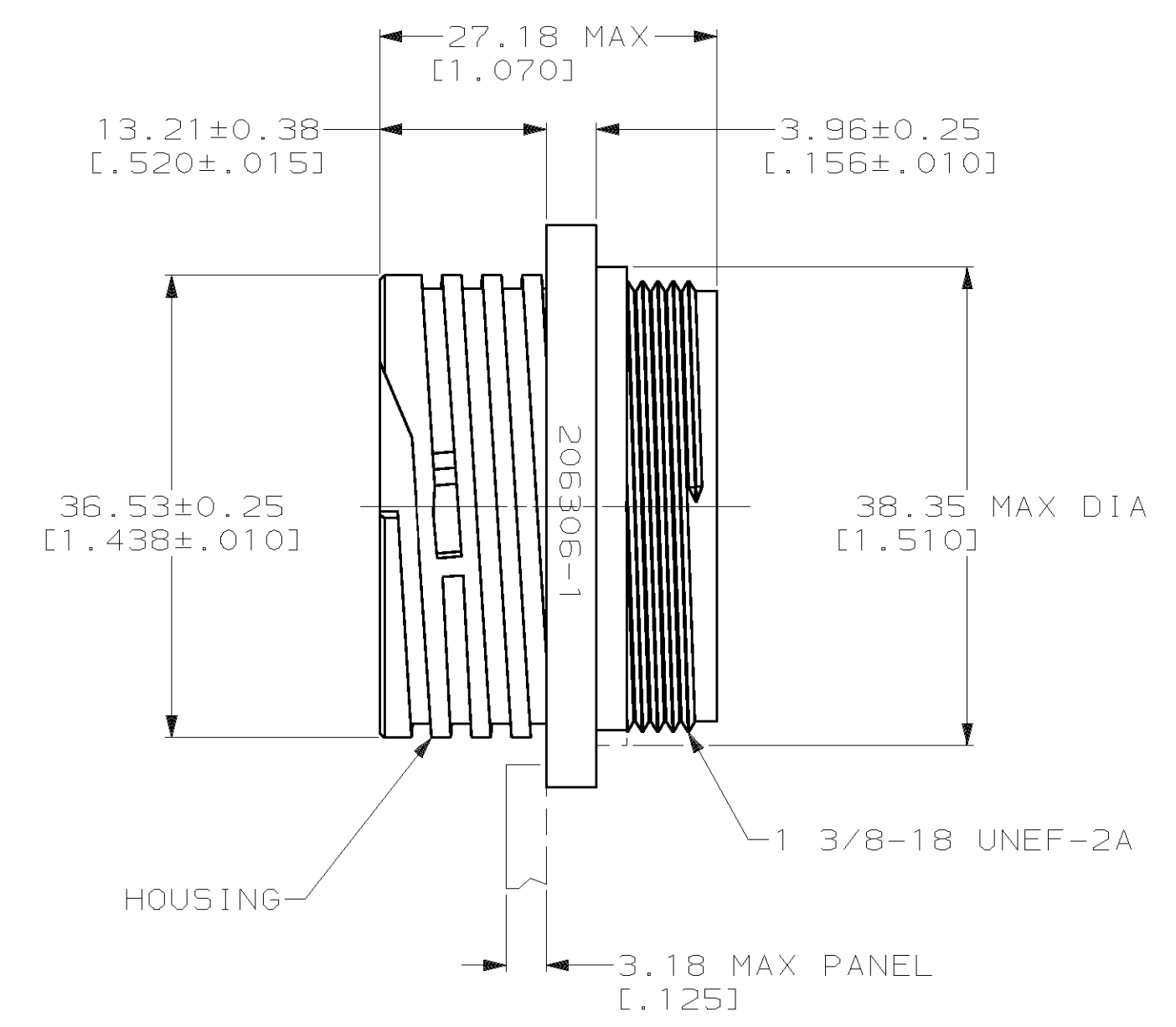
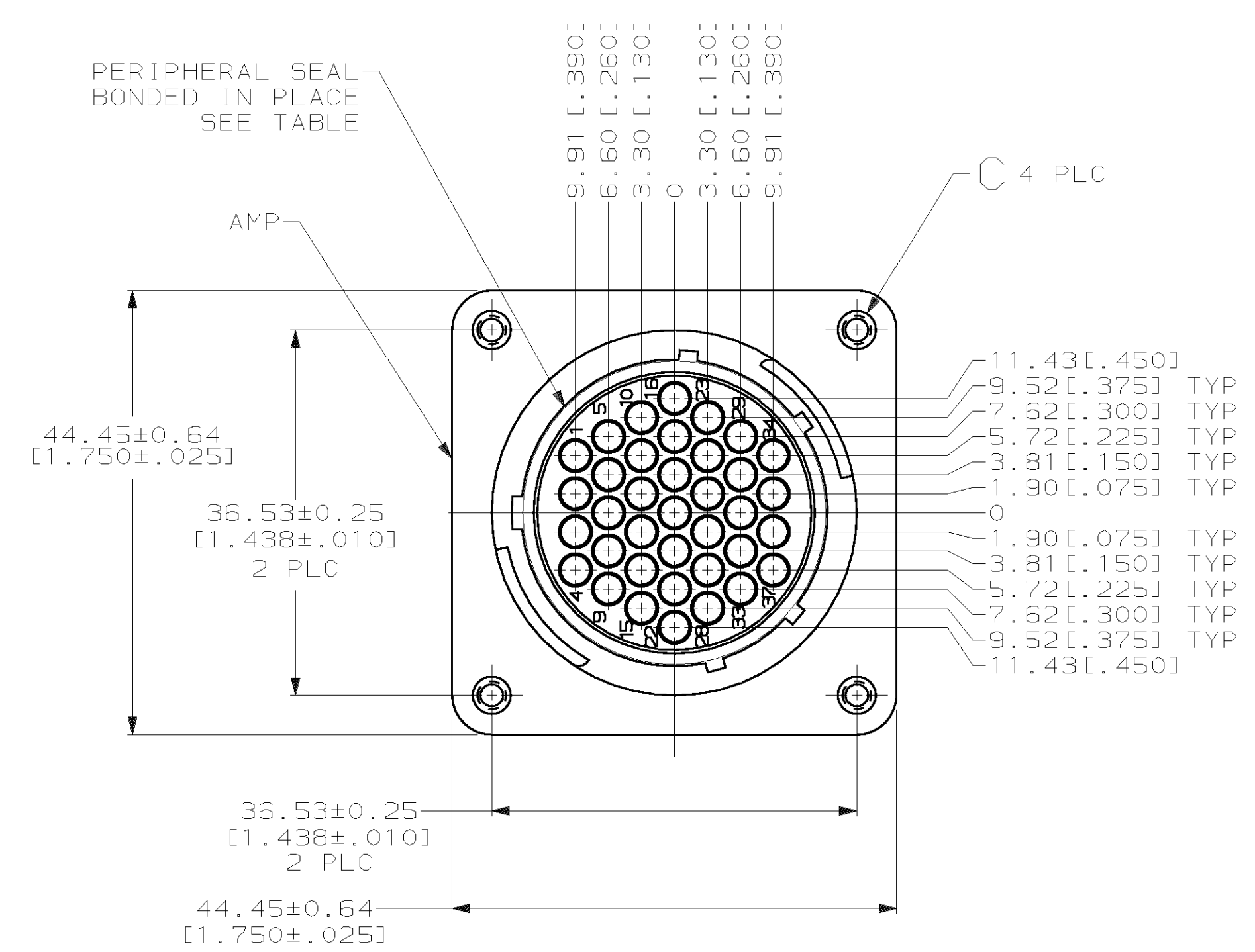
JAMECO[®]
ELECTRONICS

www.Jameco.com ♦ 1-800-831-4242

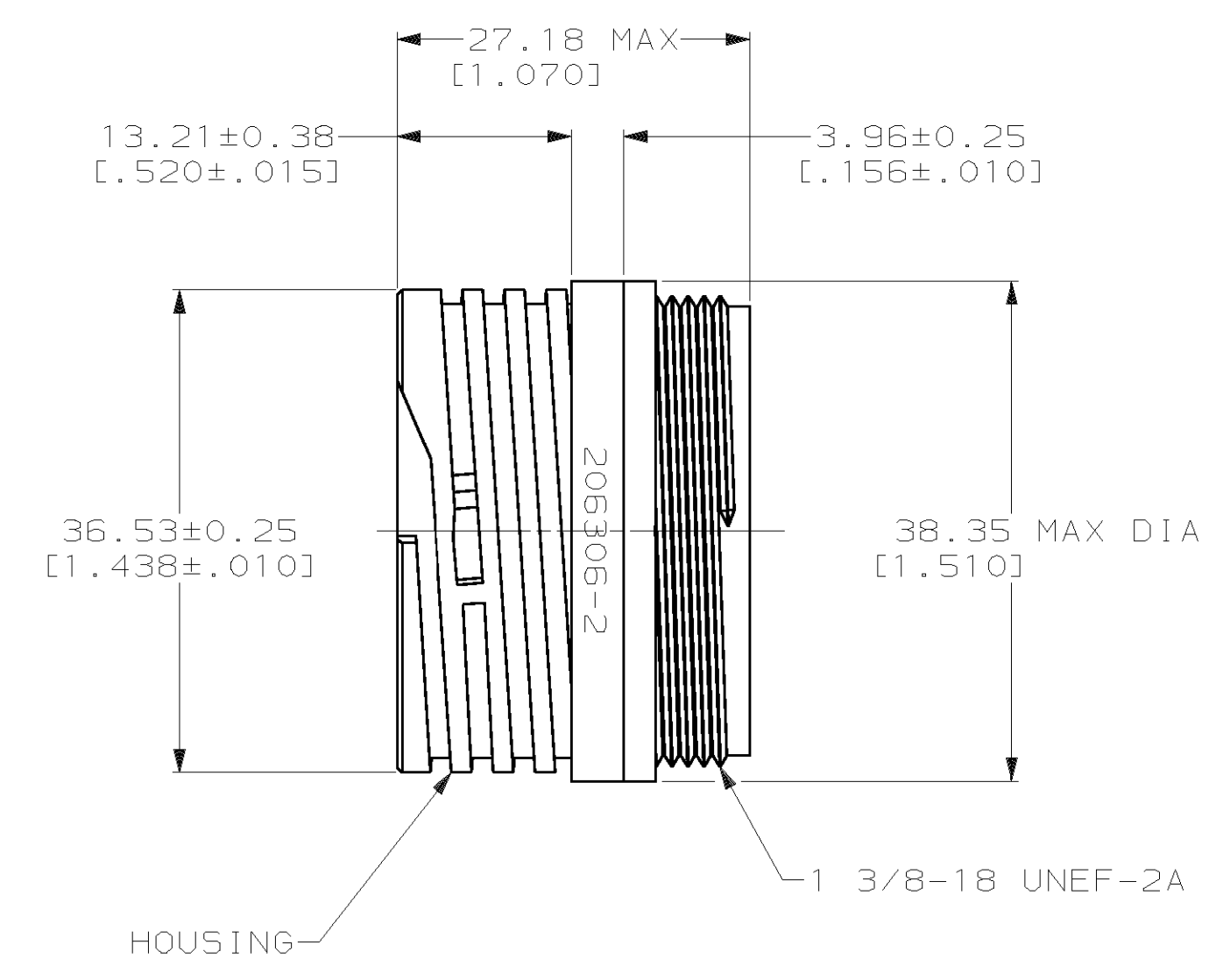
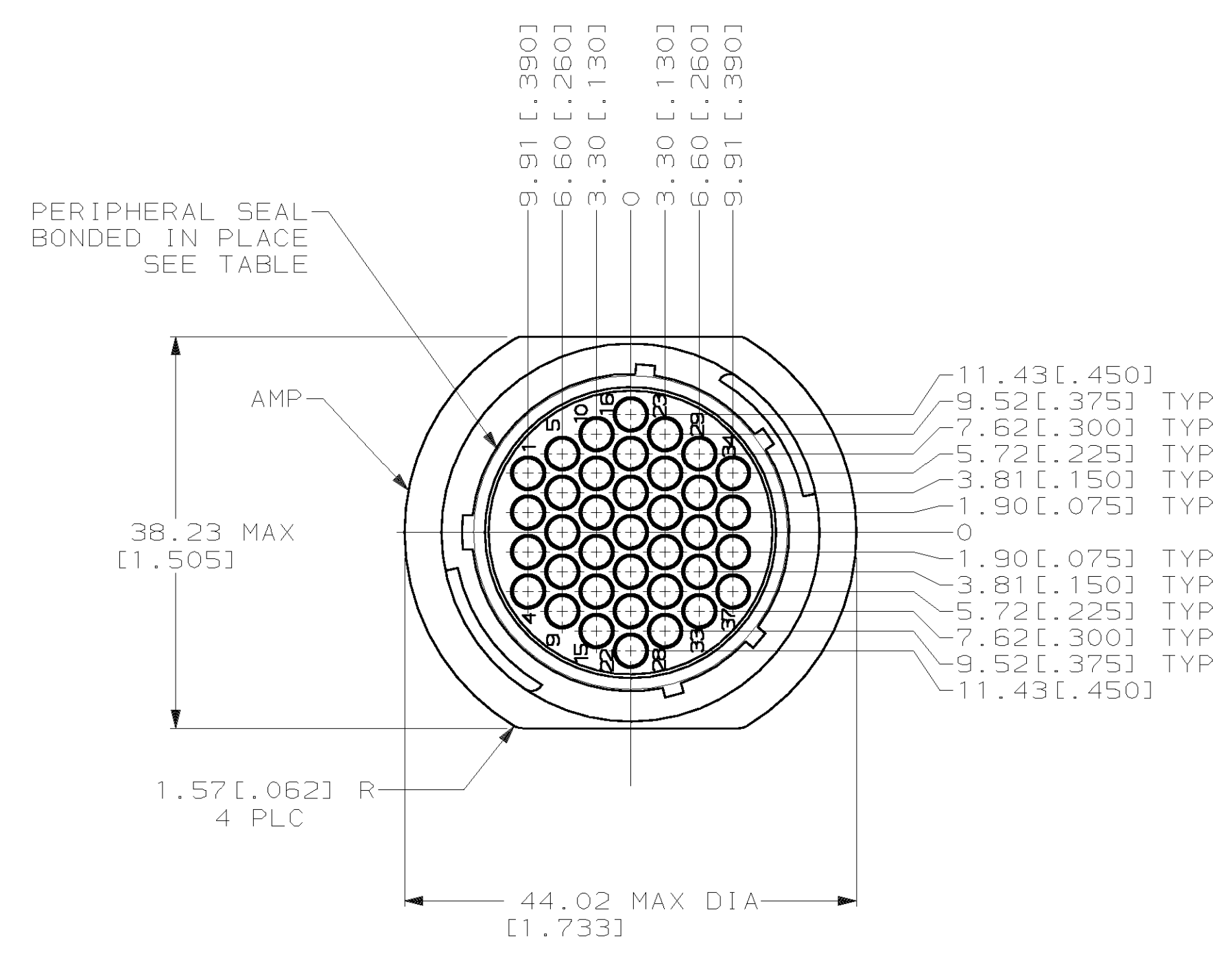
The content and copyrights of the attached
material are the property of its owner.

Jameco Part Number 744253

LOC		DIST		REVISIONS				
FT	0	P	F	ZONE	LTR	DESCRIPTION	DATE	APPD
				K		REVISE PER ECN 063B-0343-00	27JUL00	5U/MC



DETAIL A



DETAIL B

1. CAVITY IDENTIFICATION ON FRONT AND REAR FACE.
2. WILL ACCEPT THIRTY-SEVEN (37) MULTIMATE SOCKET CONTACTS.
3. NO 4 FASTENER RECOMMENDED FOR MOUNTING.
4. NYLON 6/6, NATURAL.

PRELIMINARY	STANDARD	NO	3.81 [.150] DIA HOLE	A	206306-8
	SMALL PACK	NO	3.81 [.150] DIA HOLE	A	206306-6
	STANDARD	NO	4-40 THREADED INSERT	A	206306-5
	STANDARD	YES	-	B	206306-4
	STANDARD	YES	3.81 [.150] DIA HOLE	A	206306-3
	STANDARD	NO	-	B	206306-2
	STANDARD	NO	3.81 [.150] DIA HOLE	A	206306-1
	PACKAGING	PERIPHERAL SEAL	C	SEE DETAIL	PART NUMBER

DO NOT SCALE PRINT. UNLESS SPECIFIED DIMENSIONS IN mm [INCHES] TOLERANCES ON: 2 PLC DEC ± 0.13 [0.05] 3 PLC DEC ± - ANGLES ± -	DR 07/26/93 D.GELTZ CHK 08/11/93 R.STONE APPD 08/13/93 A.FRANTUM APPD 08/13/93 A.FRANTUM	AMP Incorporated Harrisburg, PA 17105-3508 NAME RECEPTACLE HOUSING, REVERSE SEX, SHELL SIZE 23, CPC
MATERIAL HOUSING: NYLON, BLACK INSERT: BRASS	PRODUCT SPEC 108-10024	
FINISH	APPLICATION SPEC	SIZE D
		CAGE CODE 00779
		DRAWING NO C-206306
		SCALE 2:1
		SHEET 1 OF 1

THIS DRAWING IS A CONTROLLED DOCUMENT FOR AMP INCORPORATED. IT IS SUBJECT TO CHANGE AND THE CONTROLLING ENGINEERING ORGANIZATION SHOULD BE CONTACTED FOR THE LATEST REVISION.