

Distributed by:

**JAMECO**<sup>®</sup>  
ELECTRONICS

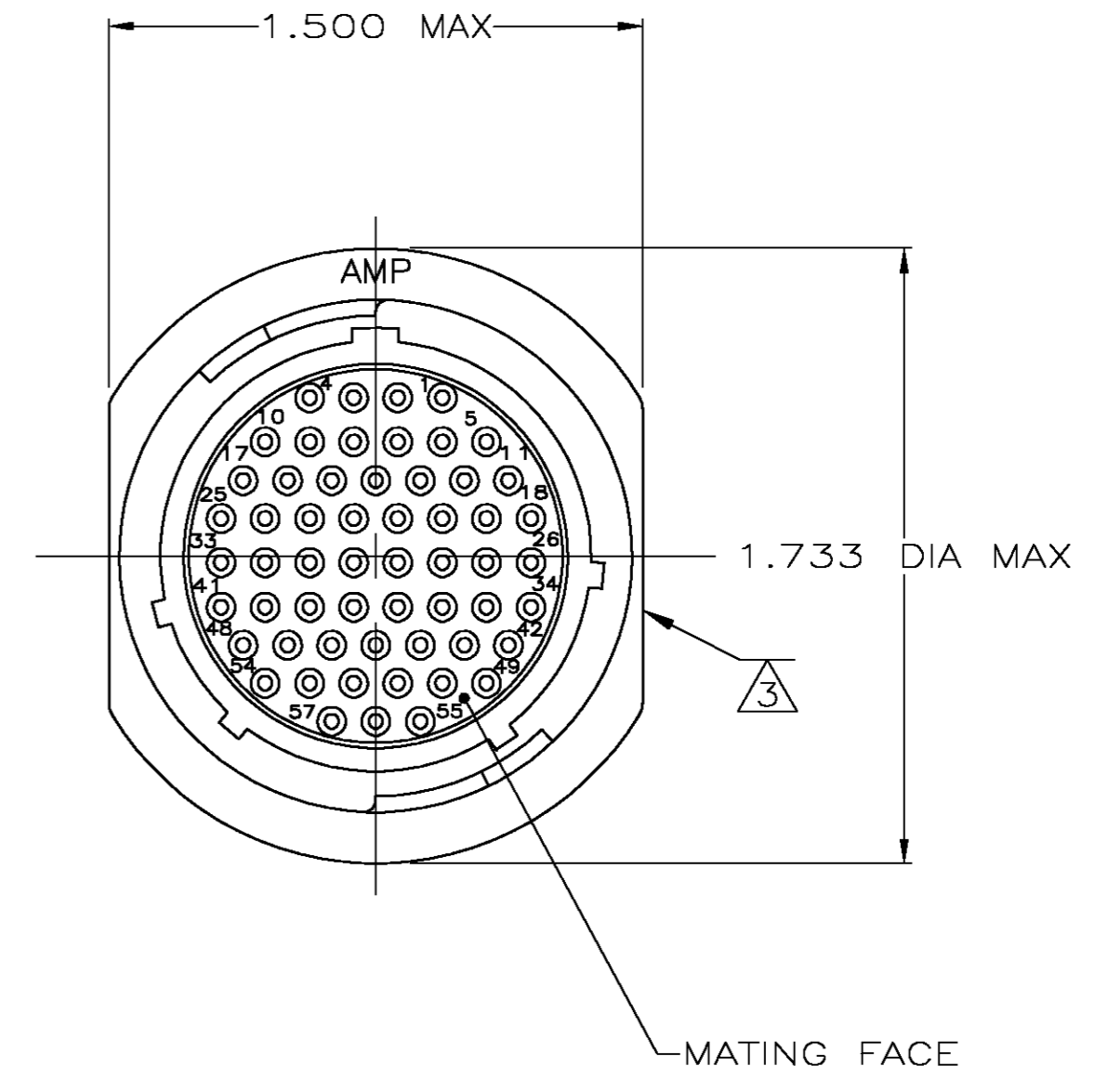
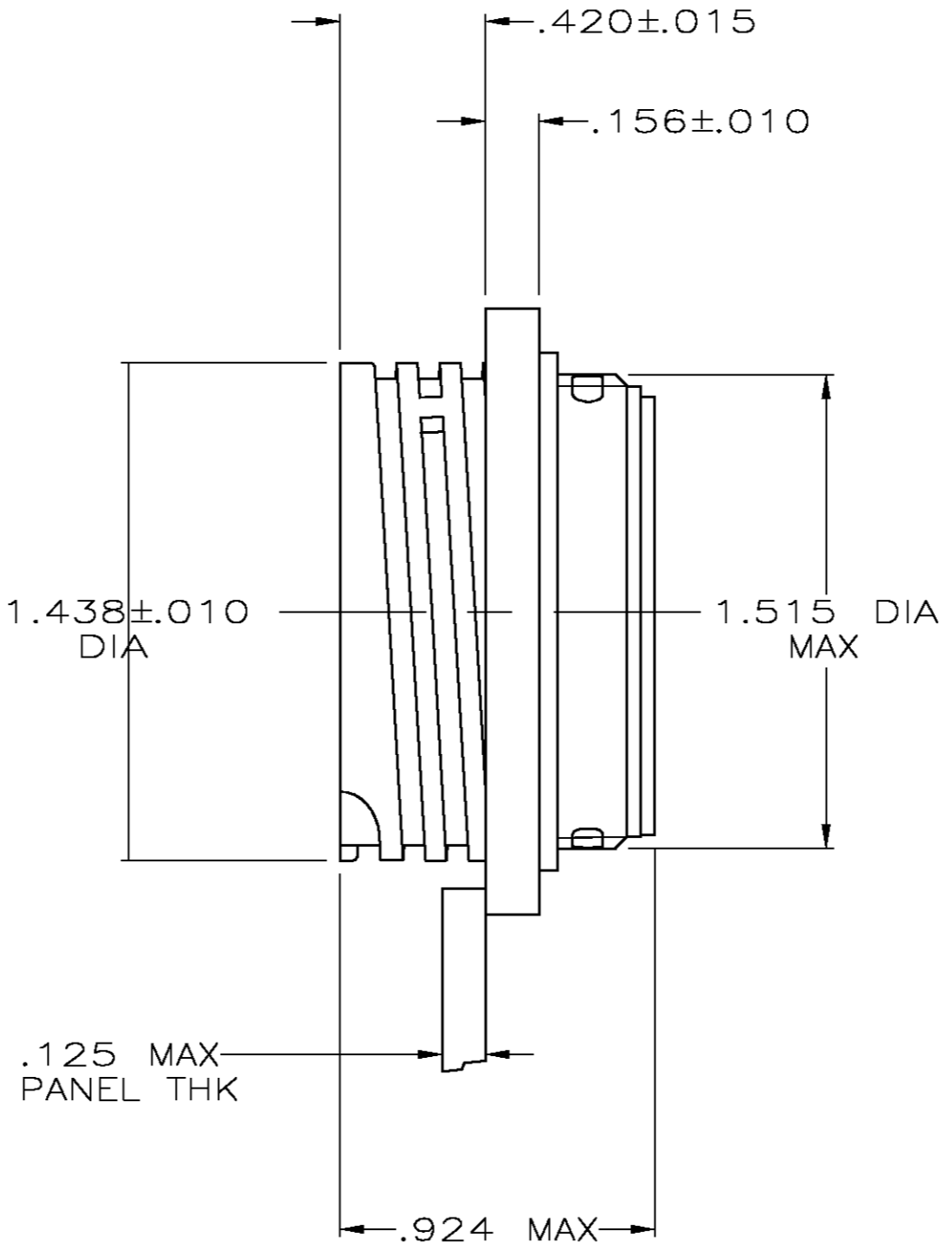
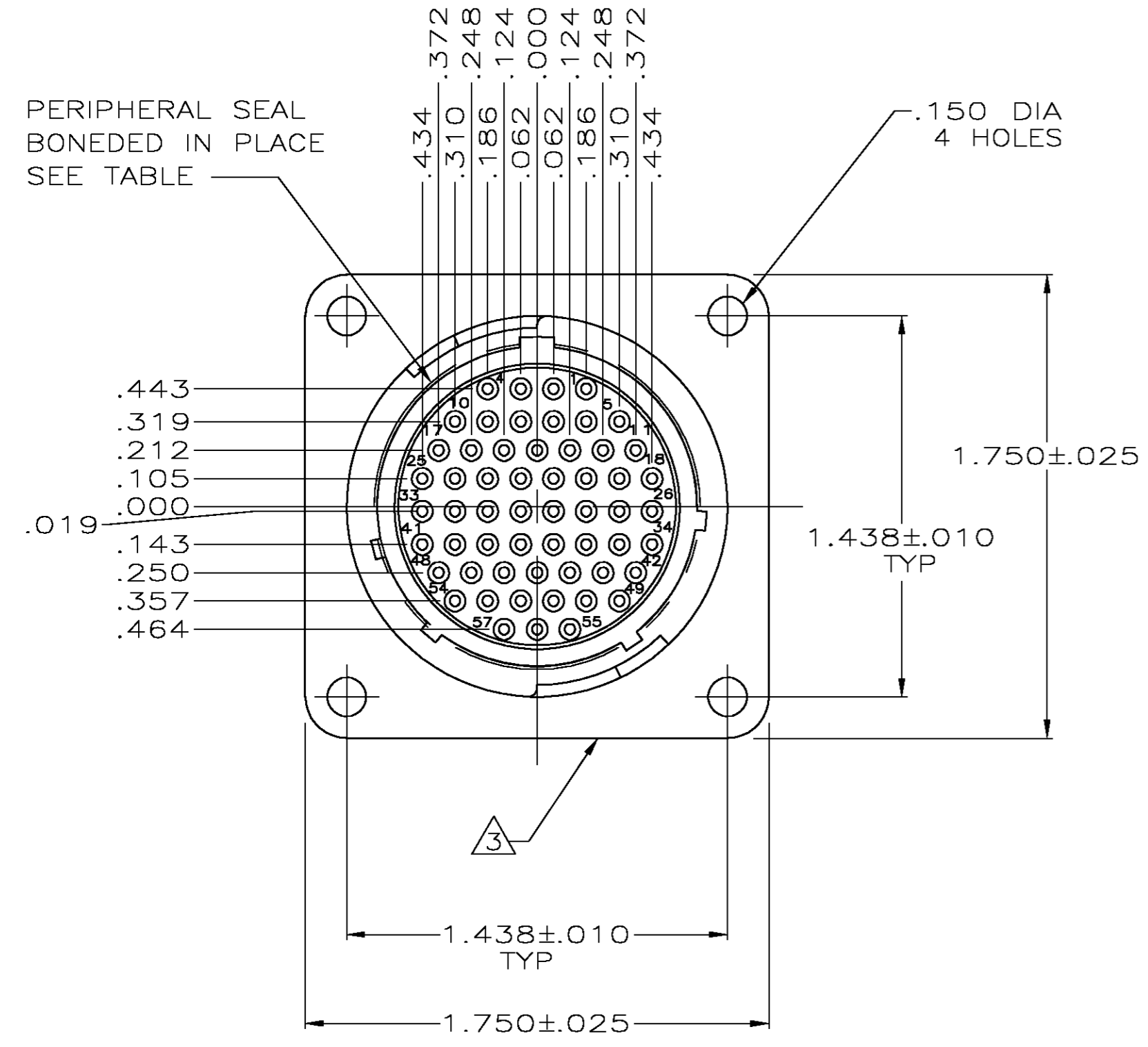
**www.Jameco.com ♦ 1-800-831-4242**

The content and copyrights of the attached  
material are the property of its owner.

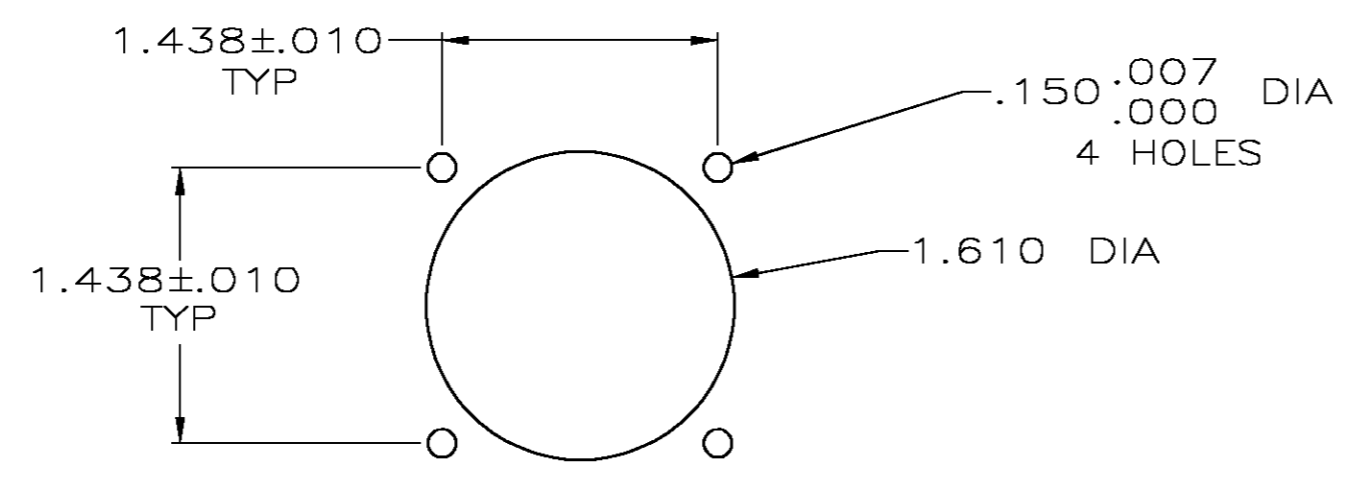
Jameco Part Number 744288

THIS DRAWING IS UNPUBLISHED. RELEASED FOR PUBLICATION  
 © COPYRIGHT BY TYCO ELECTRONICS CORPORATION. ALL RIGHTS RESERVED.

LOC		DIST		REVISIONS					
FT		0		P	LTR	DESCRIPTION	DATE	DWN	APVD
				K		REVISE PER OG3B-0582-03	7/29/03	SS	SH



FREE HANGING  
(-2 ONLY)



PANEL CUTOUT  
SCALE 1:1

- NOTES:
- CONTACT CAVITIES IDENTIFIED BY CHARACTERS ON FRONT AND REAR FACES OF CONNECTOR.
  - WILL ACCEPT (57) SIZE 20 SOCKET CONTACTS.
  - PART NUMBER THIS AREA.
  - #4 FASTENER RECOMMENDED FOR MOUNTING.

YES	206438-3
NO	206438-2
NO	206438-1
PERIPHERAL SEAL	PART NUMBER

THIS DRAWING IS A CONTROLLED DOCUMENT.		DWN	A.STAUB BG	4/3/91	Tyco Electronics Corporation						
DIMENSIONS: INCHES		CHK	W.G.LENKER	7-27-92	Harrisburg, PA 17105						
TOLERANCES UNLESS OTHERWISE SPECIFIED:		APVD	-	-	RECEPTACLE ASSEMBLY, REV SEX, SERIES 2, 23-57, CPC						
0 PLC	± -	PRODUCT SPEC	108-10024	SIZE	A2	CAGE CODE	00779	DRAWING NO	C=206438	RESTRICTED TO	-
1 PLC	± -	APPLICATION SPEC	-	WEIGHT	-	SCALE	2:1	SHEET	1 OF 1	REV	K
2 PLC	± -	CUSTOMER DRAWING									
3 PLC	± .005										
4 PLC	± -										
ANGLES	± -										
FINISH	-										

206438