

Distributed by:

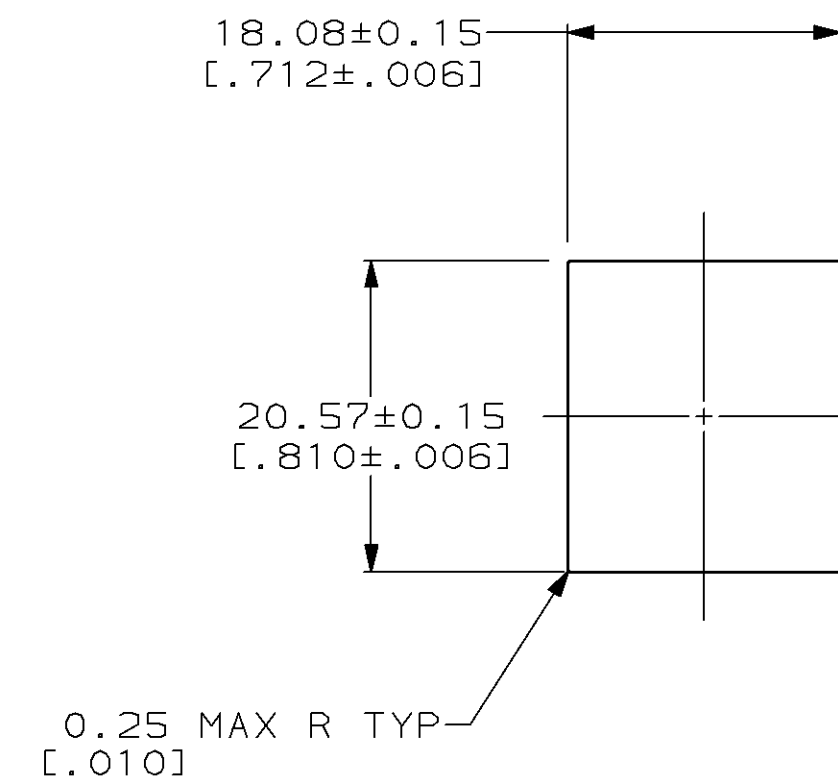
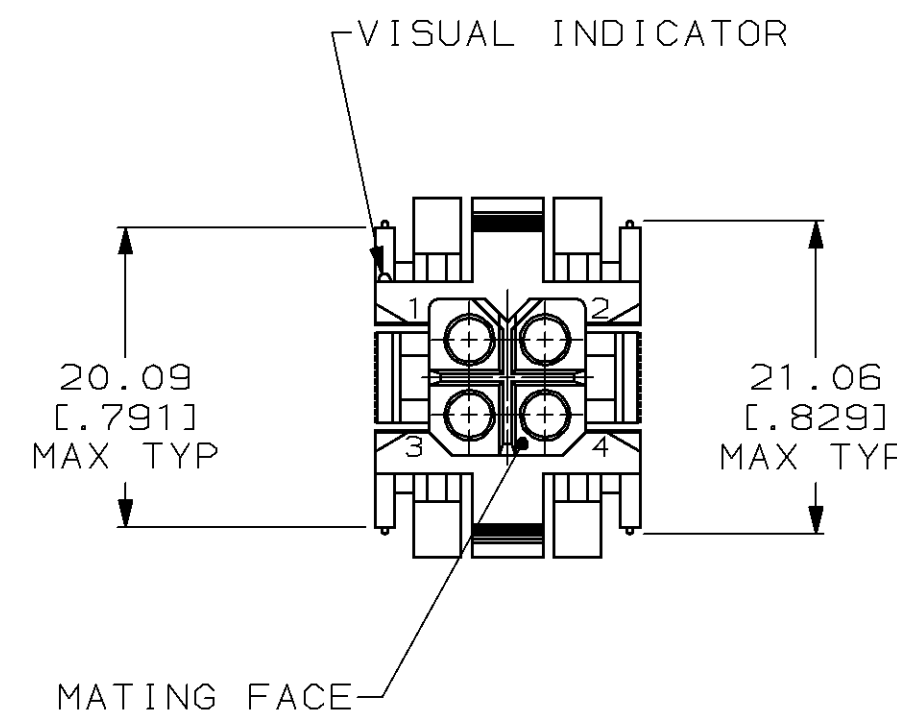
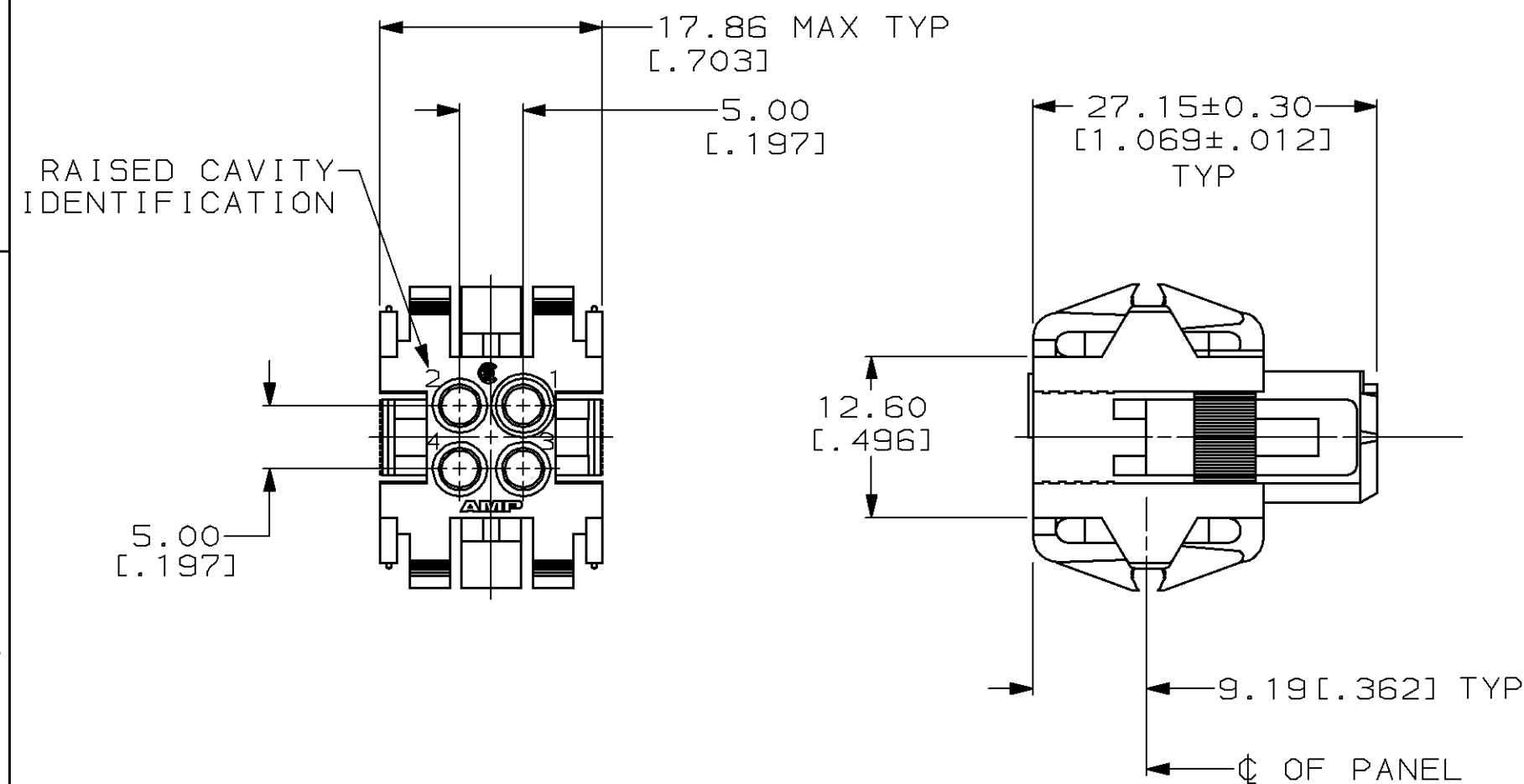
JAMECO[®]
ELECTRONICS

www.Jameco.com ♦ 1-800-831-4242

The content and copyrights of the attached
material are the property of its owner.

Jameco Part Number 744376

LOC	DIST	P	F	ZONE	LTR	DESCRIPTION	DATE	APPD
FT	13				S	REDRAWN & REVISED PER ECN BD6668	08/26/92	-
					T	REV PER EC 0020-250-94	03/24/94	AT
					U	OBSOLETE -2 PER EC 0020-596-96	09 JAN 97	MM
					V	REACTIVATED -2 & REV PER EC 061C-25-98	11 MAR 98	MM



PANEL CUTOUT

1. PANEL RETENTION MECHANISM ACCOMMODATES PANEL THICKNESSES FROM 0.76 [0.030] TO 2.29 [0.090].

2 SAME AS 207015-1 EXCEPT: ROUNDED EDGES ON THE OUTSIDE OF THE HOUSING AND A 45° ANGLE ON THE OUTSIDE OF THE HOUSING BY THE LOCKING LATCHES, REF 928095.

207015-2
207015-1
PART NO

DO NOT SCALE PRINT. UNLESS SPECIFIED DIMENSIONS IN mm [INCHES] TOLERANCES ON: 2 PLC DEC ± 0.25 [0.010] 3 PLC DEC ± - ANGLES ± -		DR 08/26/92 W.LENKER		AMP Incorporated Harrisburg, PA 17105-3608	
MATERIAL NYLON, COLOR: RED		CHK 8-31-92 R.STONE			
FINISH -		APPD 9-2-92 A.TRAVIS		NAME HOUSING, PLUG, 4 POSITION, METRIMATE	
-		APPD 9-3-92 C.ROHDE		SIZE C 00779	
-		PRODUCT SPEC 108-10033		DRAWING NO G=207015	
-		APPLICATION SPEC -		SCALE 2:1	
-		WEIGHT -		SHEET 1 OF 1	

THIS DRAWING IS A CONTROLLED DOCUMENT FOR AMP INCORPORATED. IT IS SUBJECT TO CHANGE AND THE CONTROLLING ENGINEERING ORGANIZATION SHOULD BE CONTACTED FOR THE LATEST REVISION.