

Distributed by:

**JAMECO**<sup>®</sup>  
ELECTRONICS

**www.Jameco.com ♦ 1-800-831-4242**

The content and copyrights of the attached  
material are the property of its owner.

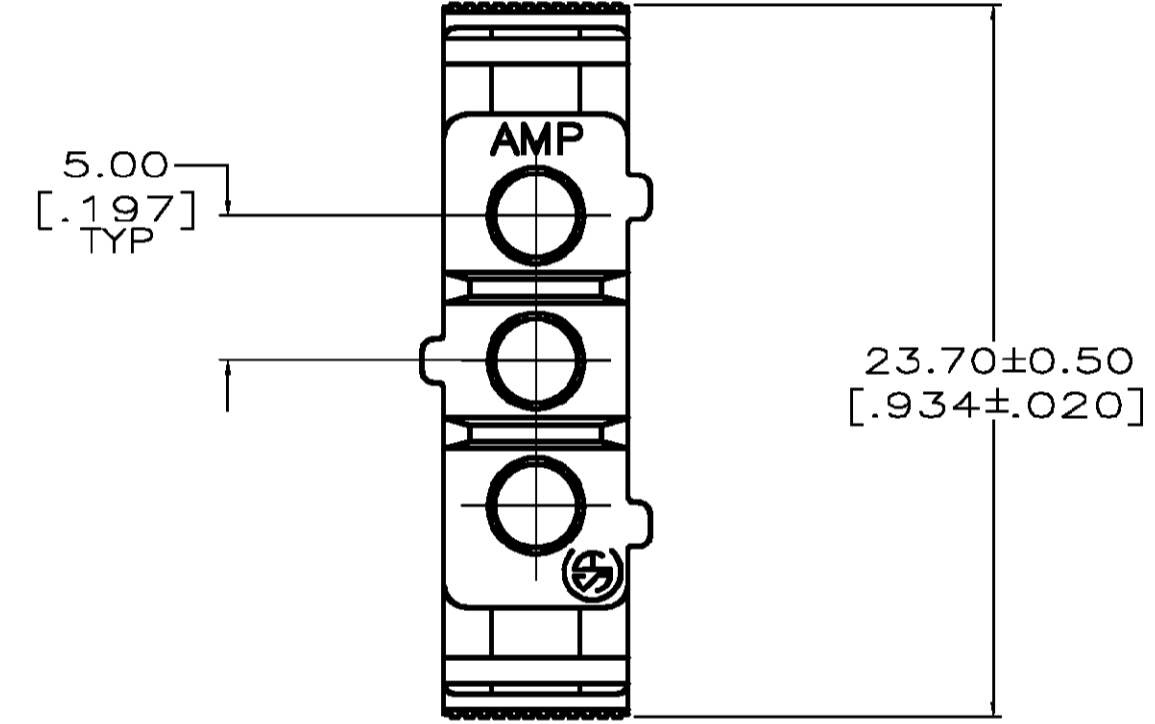
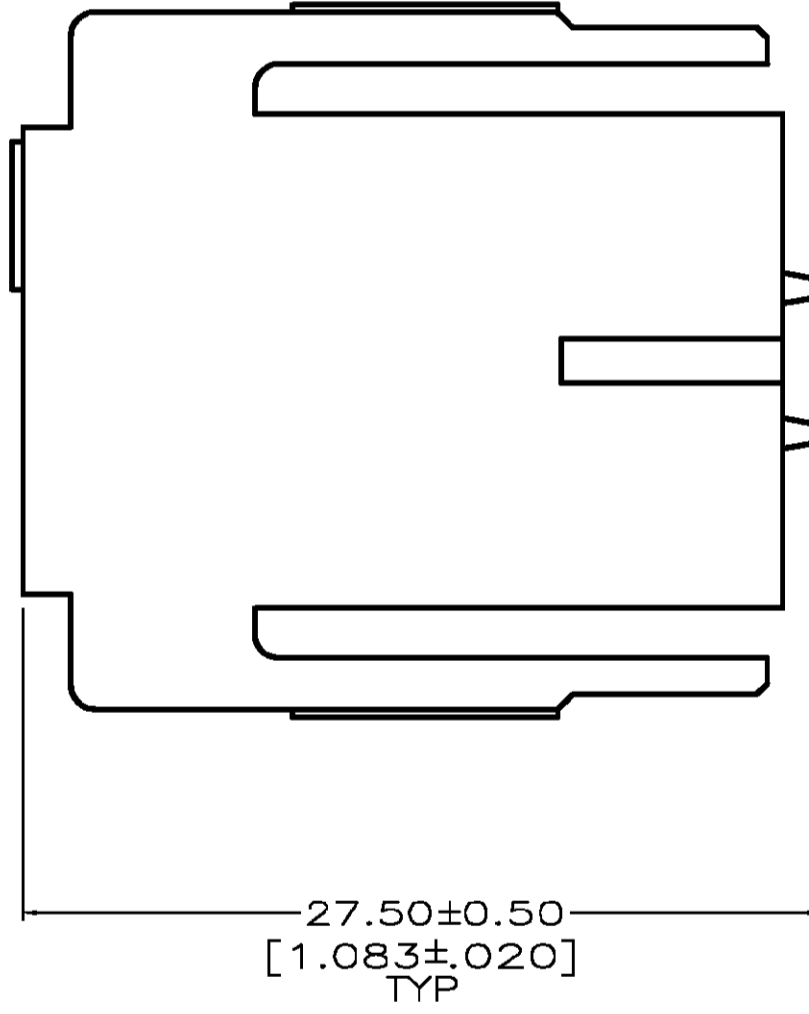
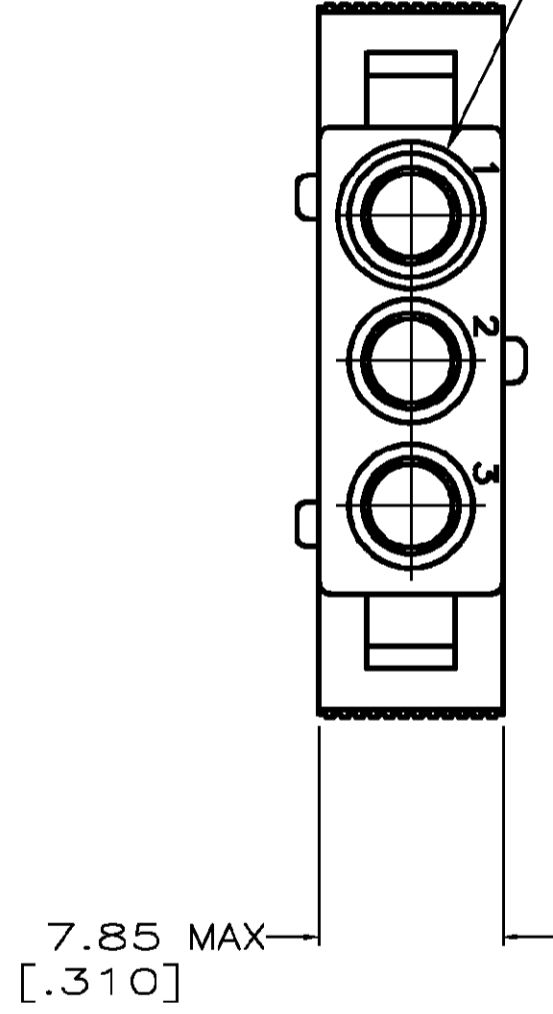
Jameco Part Number 744536

THIS DRAWING IS UNPUBLISHED. RELEASED FOR PUBLICATION  
 © COPYRIGHT BY TYCO ELECTRONICS CORPORATION. ALL RIGHTS RESERVED.

LOC	DIST	REVISIONS			
P	LTR	DESCRIPTION	DATE	DWN	APVD
FT	13	G	REVISED PER 0G3B-0158-02	8/27/02	SS HW

NOTES:  
 1 SUPERSEDED BY 207360-1.

RAISED CAVITY IDENTIFICATION  
 ON REAR FACE ONLY.



SUPERSEDED	207360-2
	207360-1
PART NUMBER	

THIS DRAWING IS A CONTROLLED DOCUMENT.		DWN J.GALLUCCI 14 AUG 91	Tyco Electronics Corporation Harrisburg, PA 17105	
DIMENSIONS: MM		CHK J.McCLINTON 23 SEP 91	APVD A. TRAVIS 23 SEP 91	
TOLERANCES UNLESS OTHERWISE SPECIFIED:		PRODUCT SPEC 108-10033		
0 PLC ± -		APPLICATION SPEC		
1 PLC ± -		WEIGHT		
2 PLC ± 0.25 [010]		SIZE A2		
3 PLC ± -		CAGE CODE 00779		
4 PLC ± -		DRAWING NO 207360		
ANGLES ± -		RESTRICTED TO		
FINISH		SCALE 4:1		
MATERIAL THERMOPLASTIC		SHEET 1 OF 1		
		REV G		