

Distributed by:

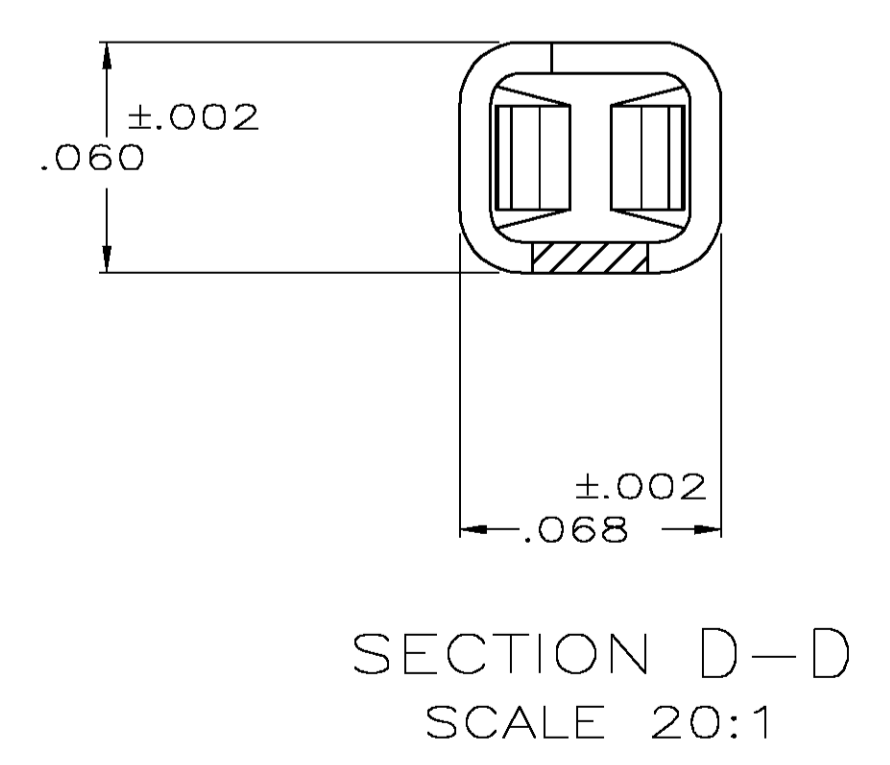
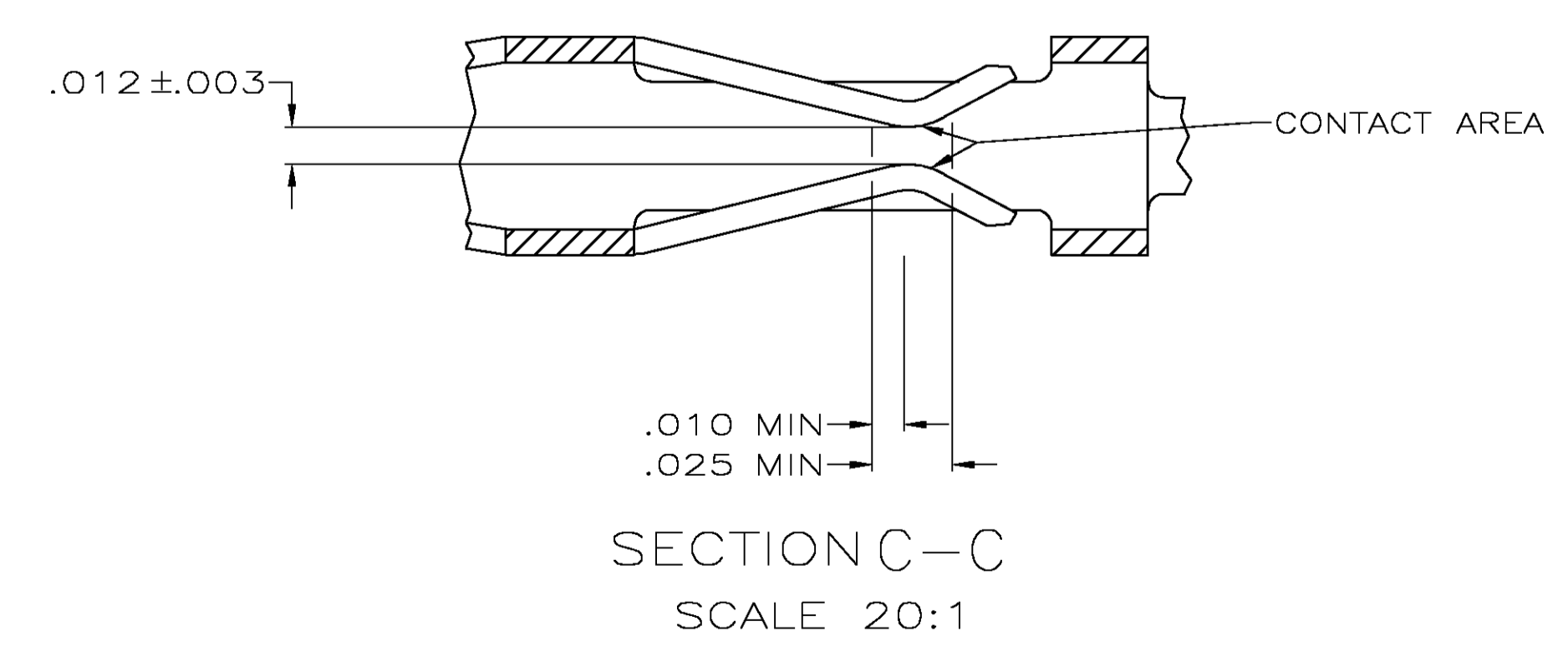
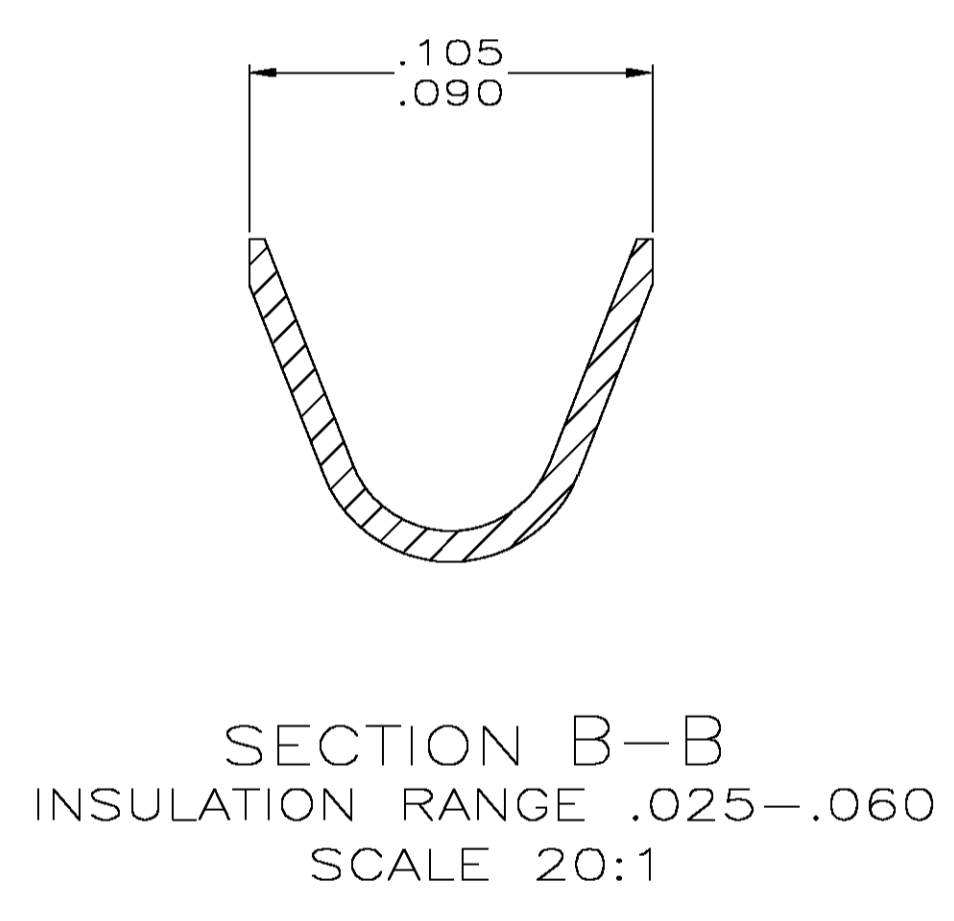
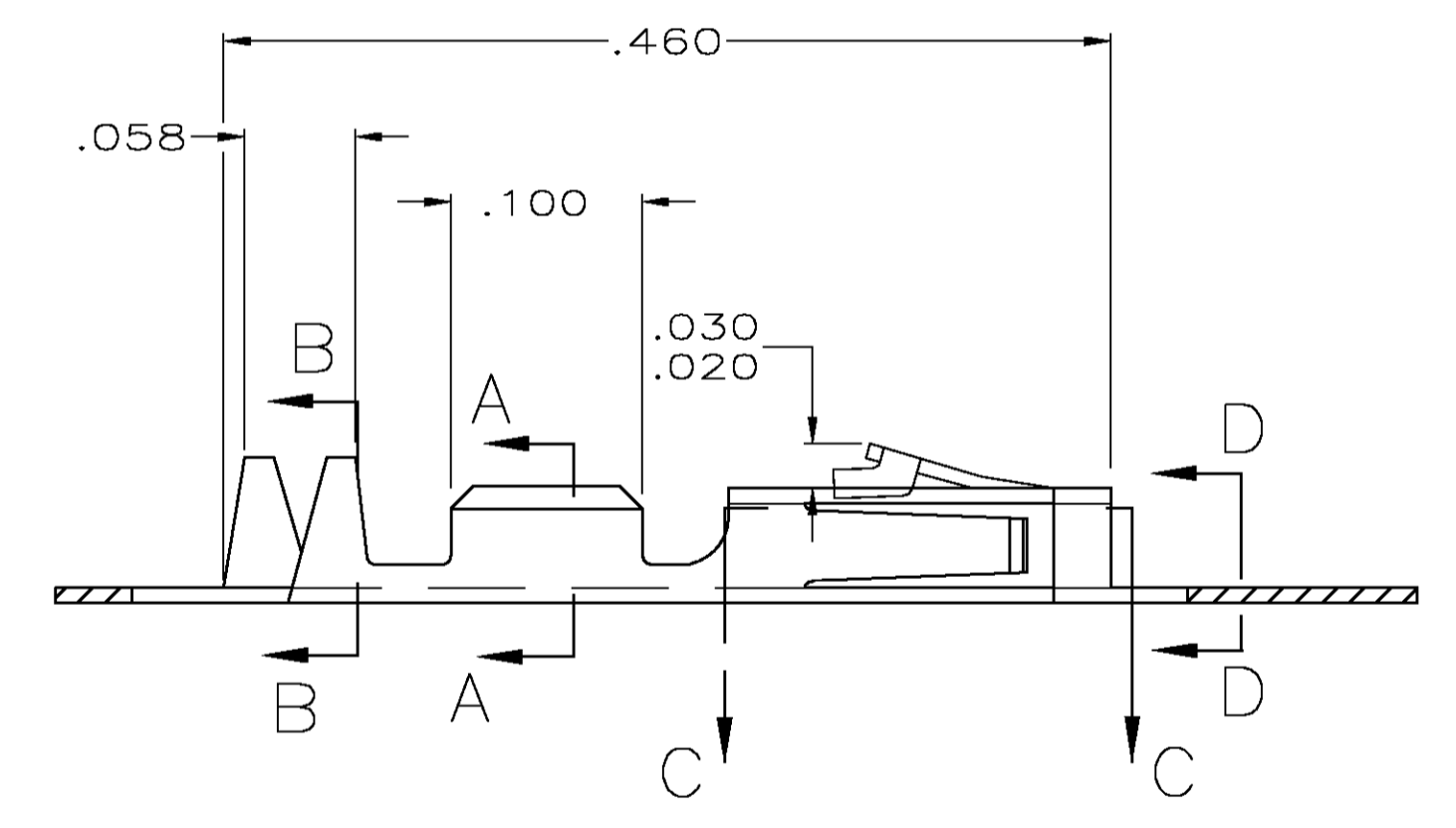
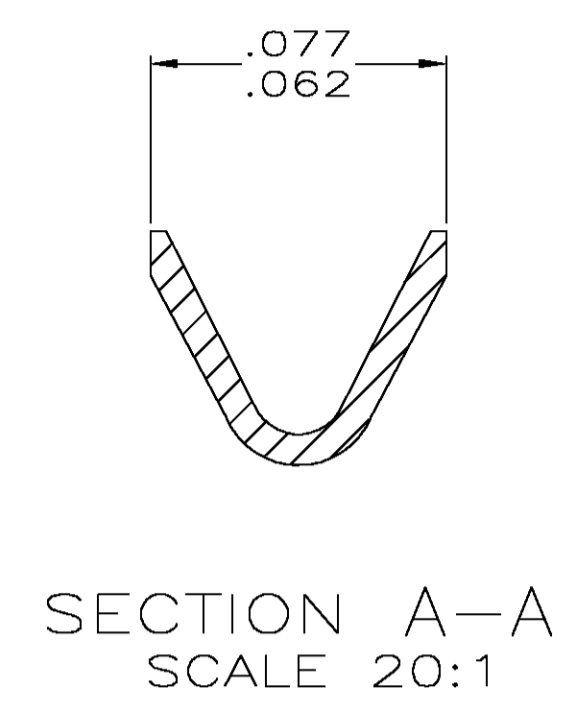
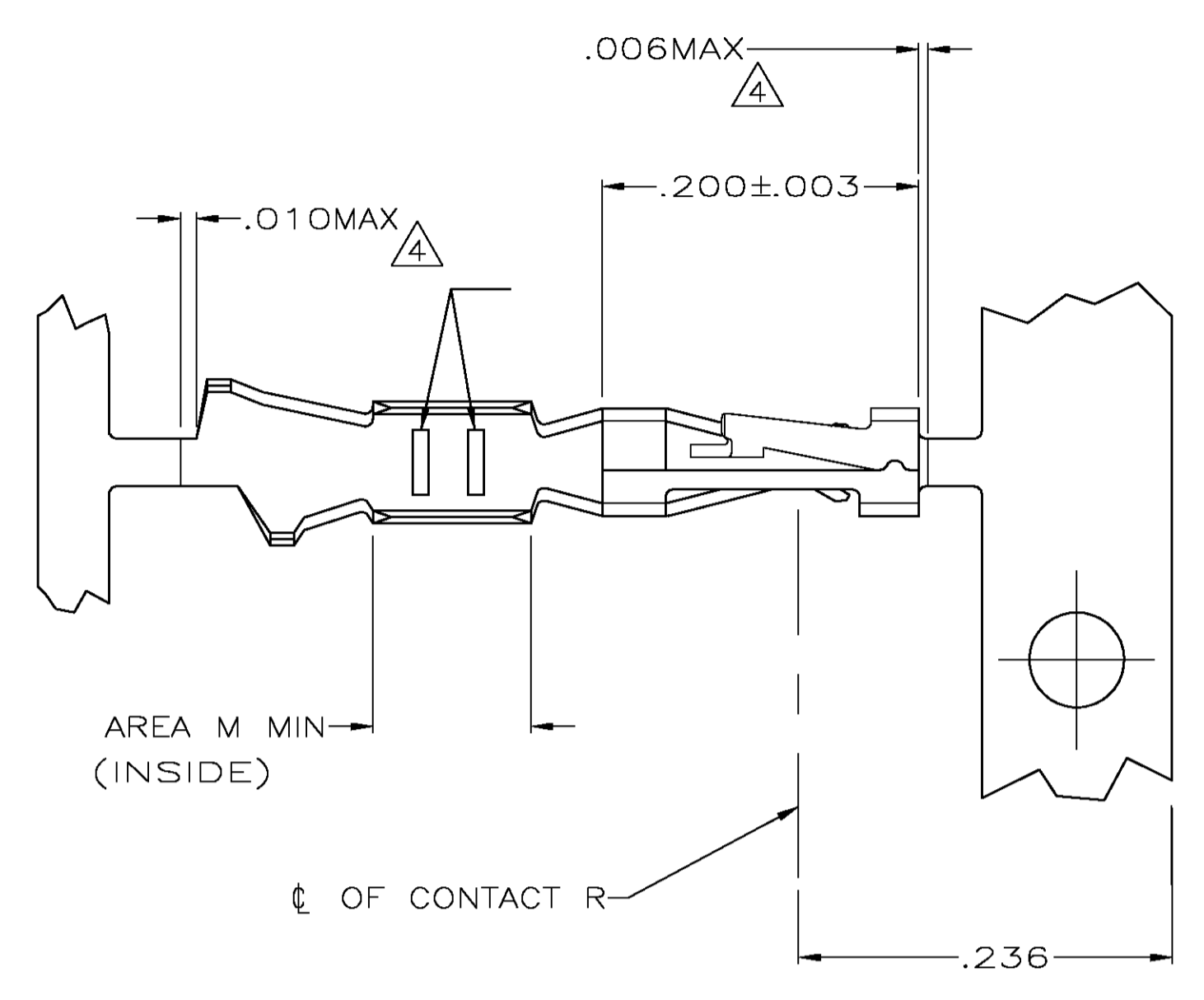
JAMECO[®]
ELECTRONICS

www.Jameco.com ♦ 1-800-831-4242

The content and copyrights of the attached
material are the property of its owner.

Jameco Part Number 745328

- ① .000100 MIN BRIGHT TIN-LEAD OVER .000050 MIN NICKEL ON ENTIRE CONTACT
- ② .000050 MIN NICKEL ON ENTIRE CONTACT; .000015 MIN GOLD ON CONTACT AREA; .000050 MIN BRIGHT TIN-LEAD ON AREA M.
- ③ .000050 MIN NICKEL ON ENTIRE CONTACT; .000030 MIN GOLD ON CONTACT AREA; .000050 MIN BRIGHT TIN-LEAD ON AREA M.
- ④ LOOSE PIECE CUT-OFF DIMENSION.
- ⑤ OBSOLETE PART NUMBER.
- ⑥ .000015 MIN GOLD ON CONTACT AREA, .000050 MIN BRIGHT TIN ON AREA M, ALL OVER .000050-.000100 NICKEL ON ENTIRE CONTACT.
- ⑦ .000030 MIN GOLD ON CONTACT AREA, .000050 MIN BRIGHT TIN ON AREA M, ALL OVER .000050-.000100 NICKEL ON ENTIRE CONTACT.
- ⑧ .000100-.000200 BRIGHT TIN OVER .000050 MIN NICKEL ON ENTIRE CONTACT.



REMARKS	FINISH	PART NO
-	⑧	1-104480-7
LOOSE PIECE	⑦	1-104480-6
LOOSE PIECE	⑥	1-104480-5
LOOSE PIECE	⑧	1-104480-4
-	⑦	1-104480-3
-	⑥	1-104480-2
⑤ LOOSE PIECE		1-104480-1
⑤ LOOSE PIECE		1-104480-0
LOOSE PIECE	③	104480-9
LOOSE PIECE	②	104480-8
LOOSE PIECE	①	104480-7
⑤ -		104480-6
⑤ -		104480-5
-	③	104480-4
-	②	104480-3
-	①	104480-2

THIS DRAWING IS A CONTROLLED DOCUMENT.

DIMENSIONS: INCHES	TOLERANCES UNLESS OTHERWISE SPECIFIED:	DWN C. OBERMAN 5-10-89	APVD K. HELM 5-12-89	NAME R. ELICKER 5-12-89	SIZE A1	CAGE CODE 100779	DRAWING NO. 104480	RESTRICTED TO
0 PLC ± -	1 PLC ± -	2 PLC ± -	3 PLC ± .005	4 PLC ± -	ANGLES ± -	WEIGHT -	SCALE 10:1	SHEET 1 OF 1
MATERIAL PHOSPHOR BRONZE	FINISH SEE TABLE	Tyco Electronics Corporation Harrisburg, Pa 17105-3508		CONTACT, CRIMP SNAP-IN AMP MODU SHORT POINT, 22-26 AWG	REV R			