

Distributed by:

JAMECO[®]
ELECTRONICS

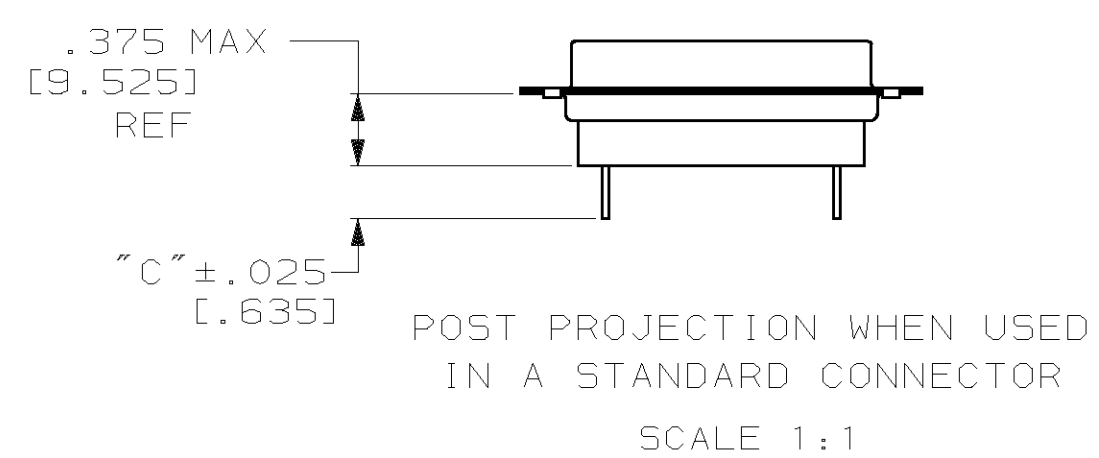
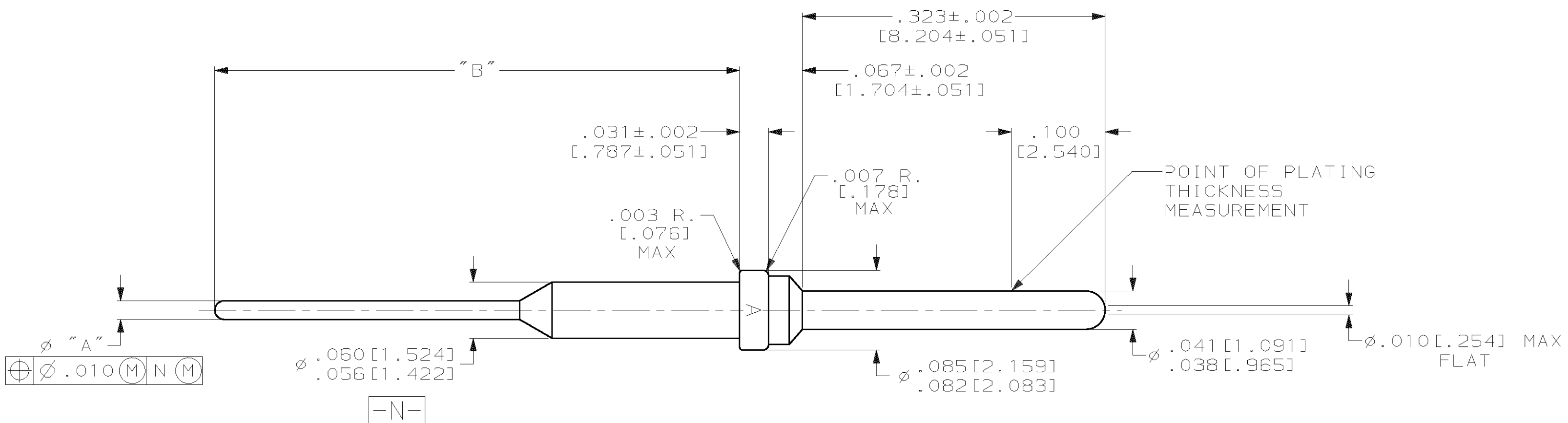
www.Jameco.com ♦ 1-800-831-4242

The content and copyrights of the attached
material are the property of its owner.

Jameco Part Number 745475

THIS DRAWING IS UNPUBLISHED. RELEASED FOR PUBLICATION, 19 .
 © COPYRIGHT 19 BY AMP INCORPORATED. ALL INTERNATIONAL RIGHTS RESERVED.

LOC	DIST	P	F	ZONE	LTR	REVISIONS	DATE	APPD	
DF	DO				G	REV PER 063D-0485-03	CT	10-03	LO



	"C"	"B"	"A"	PART NO
	.415 [10.54]	.700 [17.78]	.020/.016 [.508/.406]	2-212565-1
	.275 [6.985]	.560 [14.224]	.020/.016 [.508/.406]	1-212565-0
OBSOLETE	.161 [4.089]	.446 [11.328]	.042/.038 [1.067/.965]	212565-9
OBSOLETE	.161 [4.089]	.446 [11.328]	.032/.028 [.813/.7112]	212565-8
OBSOLETE	.161 [4.089]	.446 [11.328]	.026/.022 [.660/.559]	212565-7
OBSOLETE	.130 [3.302]	.415 [10.541]	.042/.038 [1.067/.965]	212565-6
OBSOLETE	.130 [3.302]	.415 [10.541]	.032/.028 [.813/.7112]	212565-5
OBSOLETE	.130 [3.302]	.415 [10.541]	.026/.022 [.660/.559]	212565-4
OBSOLETE	.098 [2.489]	.383 [9.728]	.042/.038 [1.067/.965]	212565-3
OBSOLETE	.098 [2.489]	.383 [9.728]	.032/.028 [.813/.7112]	212565-2
OBSOLETE	.098 [2.489]	.383 [9.728]	.026/.022 [.660/.559]	212565-1

- 1 CONTACT BODY MAT'L: LEADED NICKEL COPPER (PROPRIETARY)
EQUIVALENT ALTERNATE MAT'L: COPPER ALLOY PER ASTM-B-197
- 2 FINISH: PLATED GOLD PER MIL-G-45204 TYPE II, GRADE C
CLASS 1 OVER COPPER PER MIL-C-14550, CLASS IV.
- 3. FOR USE IN P.C. BOARD.
- 4. CONTACT CAN BE USED IN ANY STANDARD HD-20
PLUG CONNECTOR.
- 5. INSERTION/EXTRACTION TOOL AMP P/N 91067-2.
- 6. CONTACTS MEET ALL APPLICABLE PERFORMANCE REQUIREMENTS OF
MIL-C-39029.

DO NOT SCALE PRINT. UNLESS SPECIFIED DIMENSIONS IN INCHES [mm] TOLERANCES ON : 2 PLC DEC ± - 3 PLC DEC ± .005[.127] ANGLES ± -	DR 11-12-91 T. ALEXANDER	AMP Incorporated Harrisburg, PA 17105-3608	
	CHK 11-18-91 F. KINSEY		
MATERIAL 1	APPD 11-18-91 F. KINSEY	NAME POSTED PIN, AMPLIMITE, SIZE 20	
	APPD 11-18-91 T. ALEXANDER	DRAWING NO 212565	
FINISH 2	PRODUCT SPEC -	SIZE C	CAGE CODE 00779
	APPLICATION SPEC -	SCALE 10:1	SHEET 1 OF 1
WEIGHT -			