

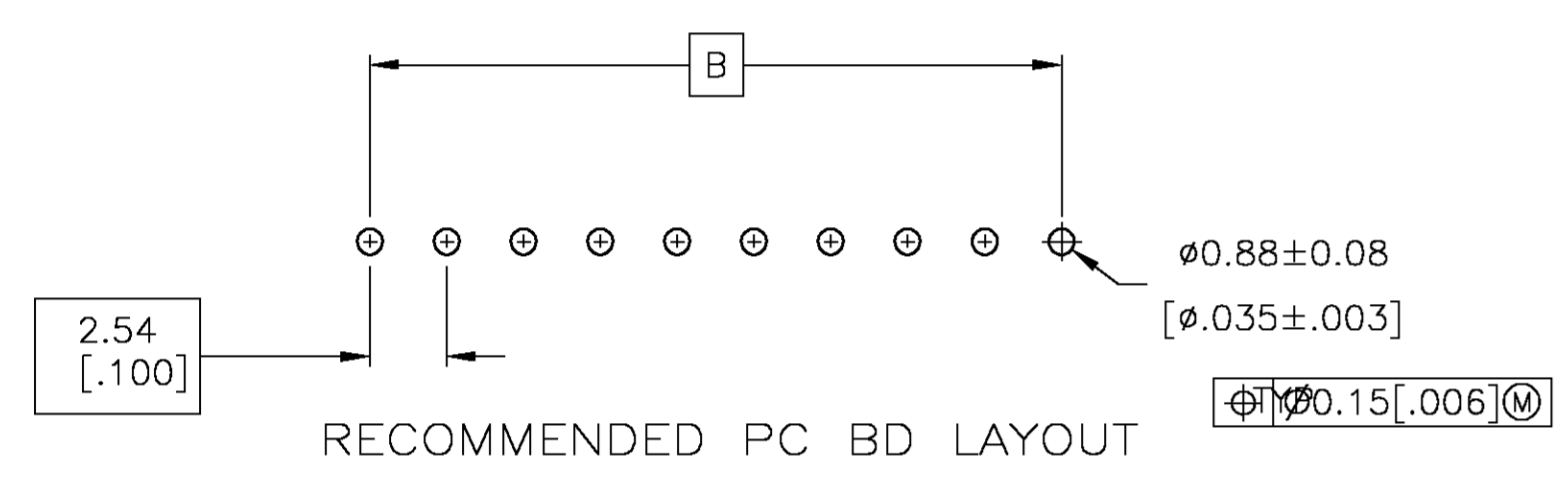
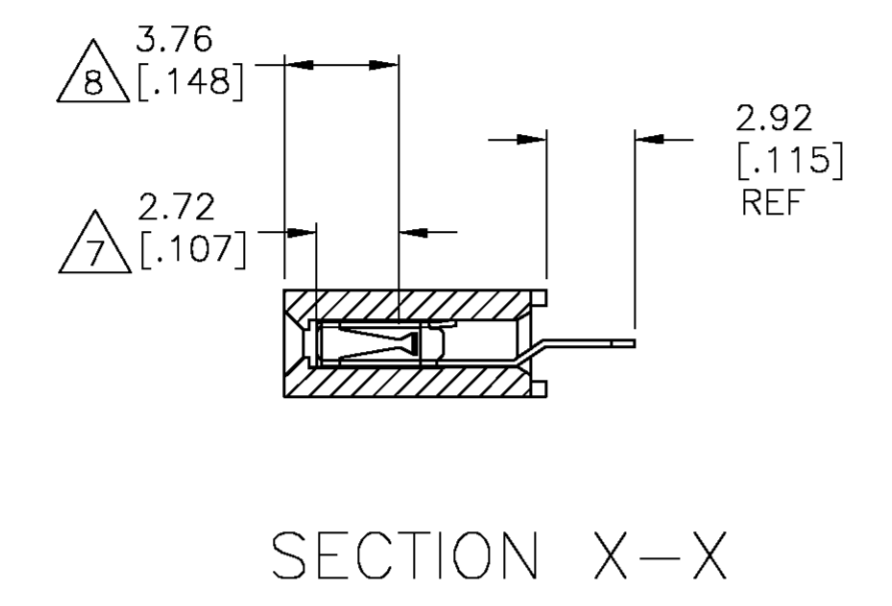
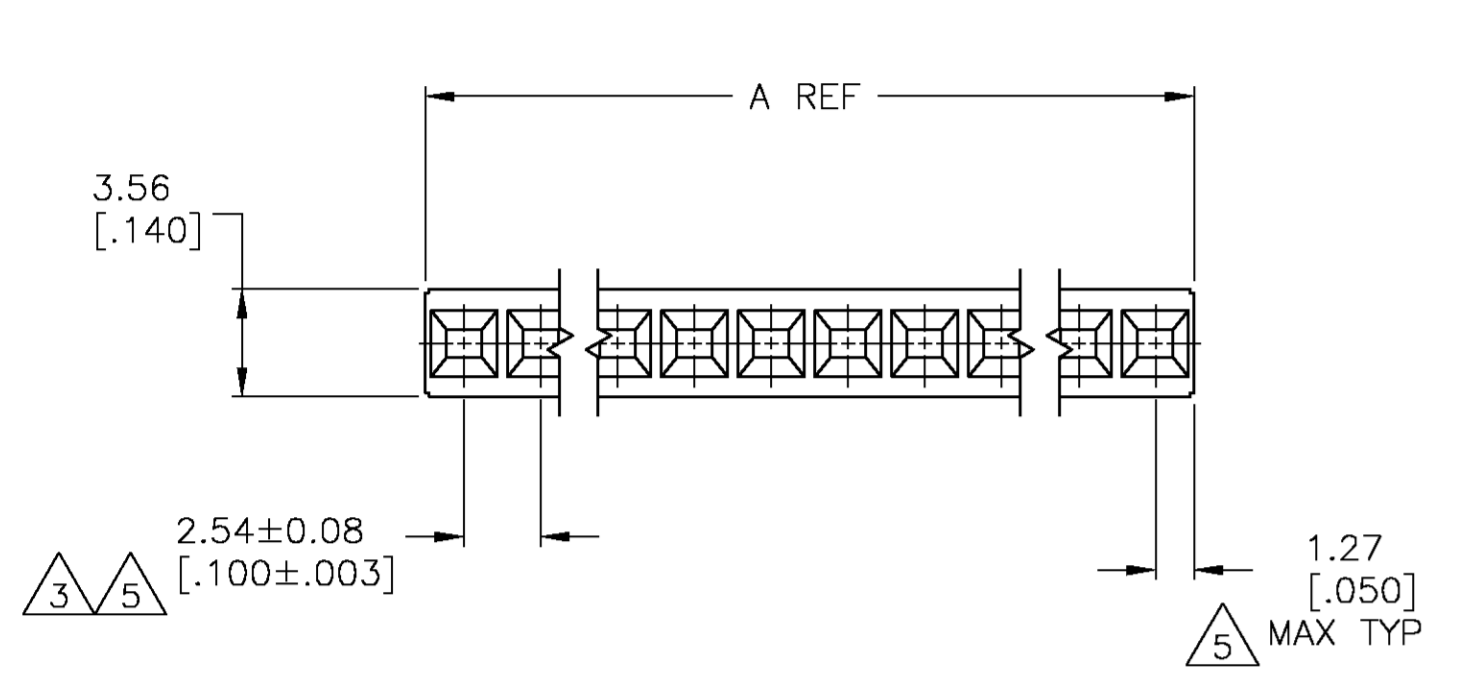
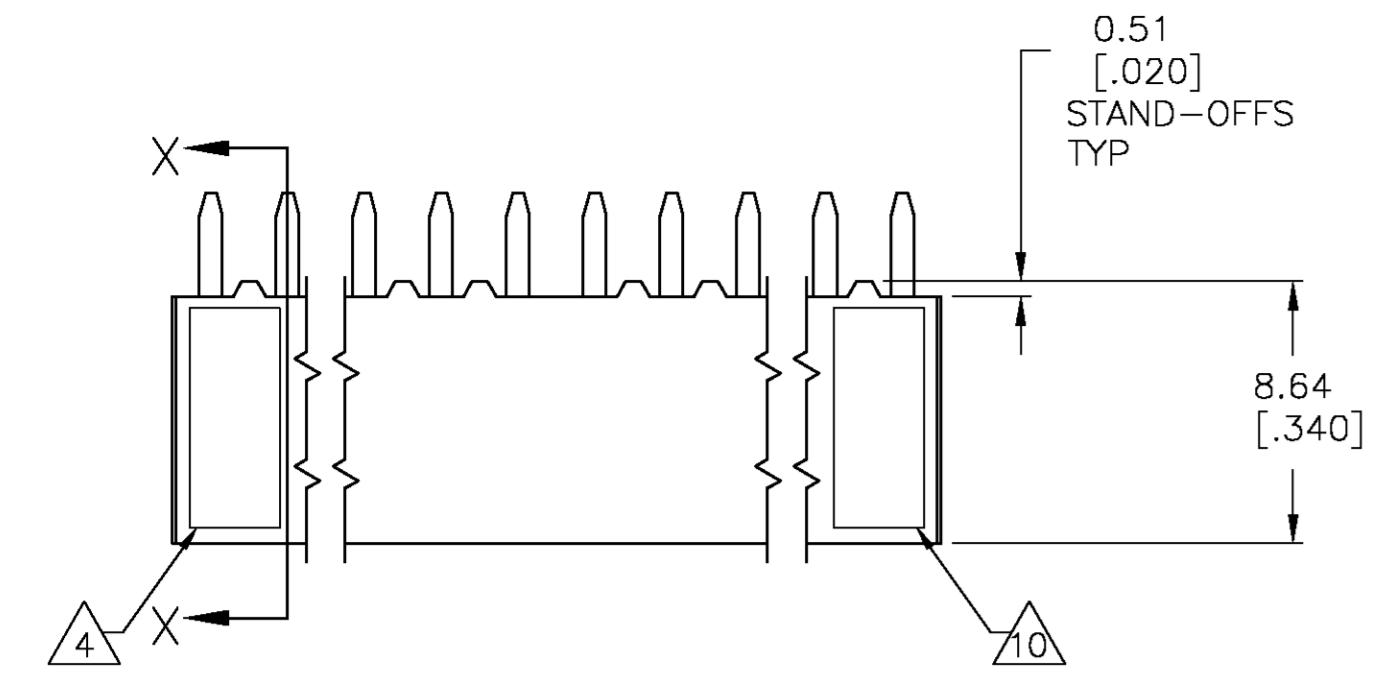
Distributed by:

**JAMECO**<sup>®</sup>  
ELECTRONICS

**www.Jameco.com ♦ 1-800-831-4242**

The content and copyrights of the attached  
material are the property of its owner.

Jameco Part Number 745803



2.54 [.100]	5.08 [.200]	2	12	8-534237-9
99.06 [3.900]	101.60 [4.000]	40	12	8-534237-8
96.52 [3.800]	99.06 [3.900]	39	12	8-534237-7
93.98 [3.700]	96.52 [3.800]	38	12	8-534237-6
91.44 [3.600]	93.98 [3.700]	37	12	8-534237-5
88.90 [3.500]	91.44 [3.600]	36	12	8-534237-4
86.36 [3.400]	88.90 [3.500]	35	12	8-534237-3
83.82 [3.300]	86.36 [3.400]	34	12	8-534237-2
81.28 [3.200]	83.82 [3.300]	33	12	8-534237-1
78.74 [3.100]	81.28 [3.200]	32	12	8-534237-0
76.20 [3.000]	78.74 [3.100]	31	12	7-534237-9
73.66 [2.900]	76.20 [3.000]	30	12	7-534237-8
71.12 [2.800]	73.66 [2.900]	29	12	7-534237-7
68.58 [2.700]	71.12 [2.800]	28	12	7-534237-6
66.04 [2.600]	68.58 [2.700]	27	12	7-534237-5
63.50 [2.500]	66.04 [2.600]	26	12	7-534237-4
60.96 [2.400]	63.50 [2.500]	25	12	7-534237-3
58.42 [2.300]	60.96 [2.400]	24	12	7-534237-2
55.88 [2.200]	58.42 [2.300]	23	12	7-534237-1
53.34 [2.100]	55.88 [2.200]	22	12	7-534237-0
50.80 [2.000]	53.34 [2.100]	21	12	6-534237-9
48.26 [1.900]	50.80 [2.000]	20	12	6-534237-8
45.72 [1.800]	48.26 [1.900]	19	12	6-534237-7
43.18 [1.700]	45.72 [1.800]	18	12	6-534237-6
40.64 [1.600]	43.18 [1.700]	17	12	6-534237-5
38.10 [1.500]	40.64 [1.600]	16	12	6-534237-4
35.56 [1.400]	38.10 [1.500]	15	12	6-534237-3
33.02 [1.300]	35.56 [1.400]	14	12	6-534237-2
30.48 [1.200]	33.02 [1.300]	13	12	6-534237-1
27.94 [1.100]	30.48 [1.200]	12	12	6-534237-0
25.40 [1.000]	27.94 [1.100]	11	12	5-534237-9
22.86 [.900]	25.40 [1.000]	10	12	5-534237-8
20.32 [.800]	22.86 [.900]	9	12	5-534237-7
17.78 [.700]	20.32 [.800]	8	12	5-534237-6
15.24 [.600]	17.78 [.700]	7	12	5-534237-5
12.70 [.500]	15.24 [.600]	6	12	5-534237-4
10.16 [.400]	12.70 [.500]	5	12	5-534237-3
7.62 [.300]	10.16 [.400]	4	12	5-534237-2
5.08 [.200]	7.62 [.300]	3	12	5-534237-1
B	A	NO OF POSN	PART NUMBER	

2.54 [.100]	5.08 [.200]	2	6	3-534237-9
99.06 [3.900]	101.60 [4.000]	40	6	3-534237-8
96.52 [3.800]	99.06 [3.900]	39	6	3-534237-7
93.98 [3.700]	96.52 [3.800]	38	6	3-534237-6
91.44 [3.600]	93.98 [3.700]	37	6	3-534237-5
88.90 [3.500]	91.44 [3.600]	36	6	3-534237-4
86.36 [3.400]	88.90 [3.500]	35	6	3-534237-3
83.82 [3.300]	86.36 [3.400]	34	6	3-534237-2
81.28 [3.200]	83.82 [3.300]	33	6	3-534237-1
78.74 [3.100]	81.28 [3.200]	32	6	3-534237-0
76.20 [3.000]	78.74 [3.100]	31	6	2-534237-9
73.66 [2.900]	76.20 [3.000]	30	6	2-534237-8
71.12 [2.800]	73.66 [2.900]	29	6	2-534237-7
68.58 [2.700]	71.12 [2.800]	28	6	2-534237-6
66.04 [2.600]	68.58 [2.700]	27	6	2-534237-5
63.50 [2.500]	66.04 [2.600]	26	6	2-534237-4
60.96 [2.400]	63.50 [2.500]	25	6	2-534237-3
58.42 [2.300]	60.96 [2.400]	24	6	2-534237-2
55.88 [2.200]	58.42 [2.300]	23	6	2-534237-1
53.34 [2.100]	55.88 [2.200]	22	6	2-534237-0
50.80 [2.000]	53.34 [2.100]	21	6	1-534237-9
48.26 [1.900]	50.80 [2.000]	20	6	1-534237-8
45.72 [1.800]	48.26 [1.900]	19	6	1-534237-7
43.18 [1.700]	45.72 [1.800]	18	6	1-534237-6
40.64 [1.600]	43.18 [1.700]	17	6	1-534237-5
38.10 [1.500]	40.64 [1.600]	16	6	1-534237-4
35.56 [1.400]	38.10 [1.500]	15	6	1-534237-3
33.02 [1.300]	35.56 [1.400]	14	6	1-534237-2
30.48 [1.200]	33.02 [1.300]	13	6	1-534237-1
27.94 [1.100]	30.48 [1.200]	12	6	1-534237-0
25.40 [1.000]	27.94 [1.100]	11	6	534237-9
22.86 [.900]	25.40 [1.000]	10	6	534237-8
20.32 [.800]	22.86 [.900]	9	6	534237-7
17.78 [.700]	20.32 [.800]	8	6	534237-6
15.24 [.600]	17.78 [.700]	7	6	534237-5
12.70 [.500]	15.24 [.600]	6	6	534237-4
10.16 [.400]	12.70 [.500]	5	6	534237-3
7.62 [.300]	10.16 [.400]	4	6	534237-2
5.08 [.200]	7.62 [.300]	3	6	534237-1
B	A	NO OF POSN	PART NUMBER	

- 1 HOUSING: FLAME RETARDANT, GLASS FILLED, POLYESTER, COLOR: BLACK. CONTACT: PHOSPHOR BRONZE
- 2 CONTACT: DUPLEX PLATED 0.76µm[.000030] GOLD IN CONTACT AREA, 3.81-7.62µm[.000150-.000300] BRIGHT TIN-LEAD ON LEADS ALL OVER 1.27µm[.000050] MIN NICKEL
- 3 THESE DIMENSIONS PERTAIN TO CAVITY CENTERLINES ONLY - NOT TO CONTACT LOCATIONS
- 4 PART NUMBER AND DATE CODE MARKED IN APPROXIMATE LOCATION SHOWN.
- 5 TOLERANCE IS NON-CUMULATIVE.
- 6 2 POSITION DATE CODE IS MARKED OPPOSITE SIDE OF TYCO LOGO.
- 7 POINT-OF-MEASUREMENT DIMENSION FOR PLATING THICKNESS (INSIDE CONTACT BEAM).
- 8 POINT-OF-CONTACT DIMENSION.
- 9 NO PART NUMBER MARKING REQUIRED FOR THIS PART.
- 10 TYCO LOGO AND CSA LOGO ARE MOLDED INTO HOUSING, THIS LOCATION.
- 11 CONTACT: DUPLEX PLATED 0.76µm[.000030] GOLD IN CONTACT AREA, 3.81-7.62µm[.000150-.000300] MATTE TIN ON LEADS ALL OVER 1.27µm[.000050] MIN NICKEL
- 12 ROHS 2002/95/EC COMPLIANT

THIS DRAWING IS A CONTROLLED DOCUMENT.

DIMENSIONS: mm [INCHES]	TOLERANCES UNLESS OTHERWISE SPECIFIED:	DIN M. BINNER	OSNOV02	Tyco Electronics Corporation Harrisburg, Pa 17105-3608
0 PL ± -	1 PL ± -	OSNOV02	OSNOV02	
2 PL ± 0.25[.010]	3 PL ± 0.13[.005]	APVD J. OLSON	OSNOV02	NAME
4 PL ± -	ANGLES ± -	PRODUCT SPEC	OSNOV02	RECTPT ASSY, MOD IV, SINGLE ROW, .100CL, VERTICAL BOARD MOUNT, CLOSED, TOP ENTRY, SHORT PNT. OF CONTACT
MATERIAL	FINISH	APPLICATION SPEC	OSNOV02	SIZE
SEE TABLE	SEE TABLE	114-25018	OSNOV02	114-25018
		WEIGHT	OSNOV02	SCALE
		—	OSNOV02	4:1
		CUSTOMER DRAWING	OSNOV02	SHEET
			OSNOV02	1 OF 1
			OSNOV02	REV
			OSNOV02	R