

Distributed by:

JAMECO[®]
ELECTRONICS

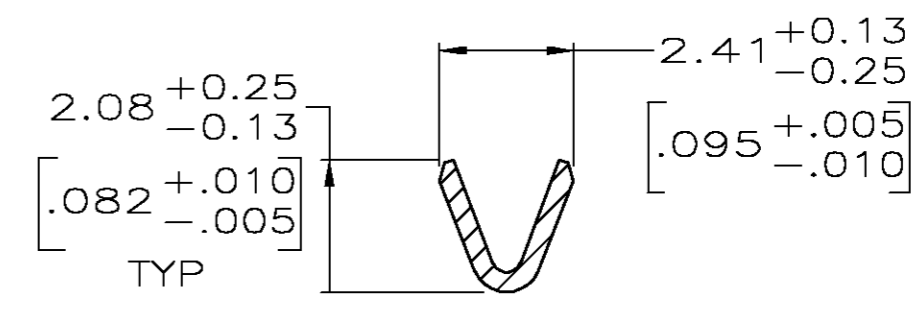
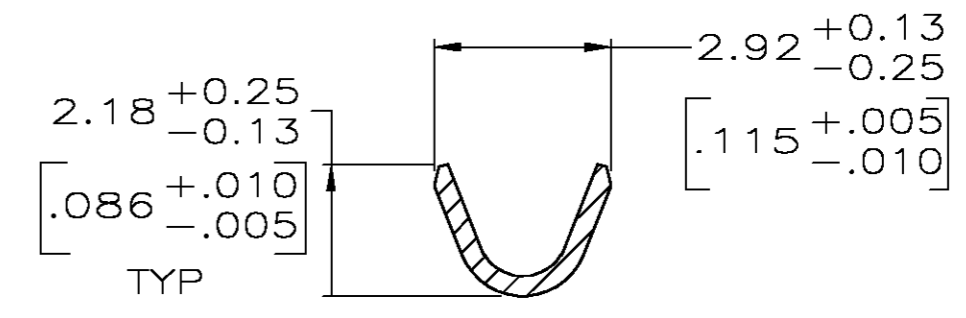
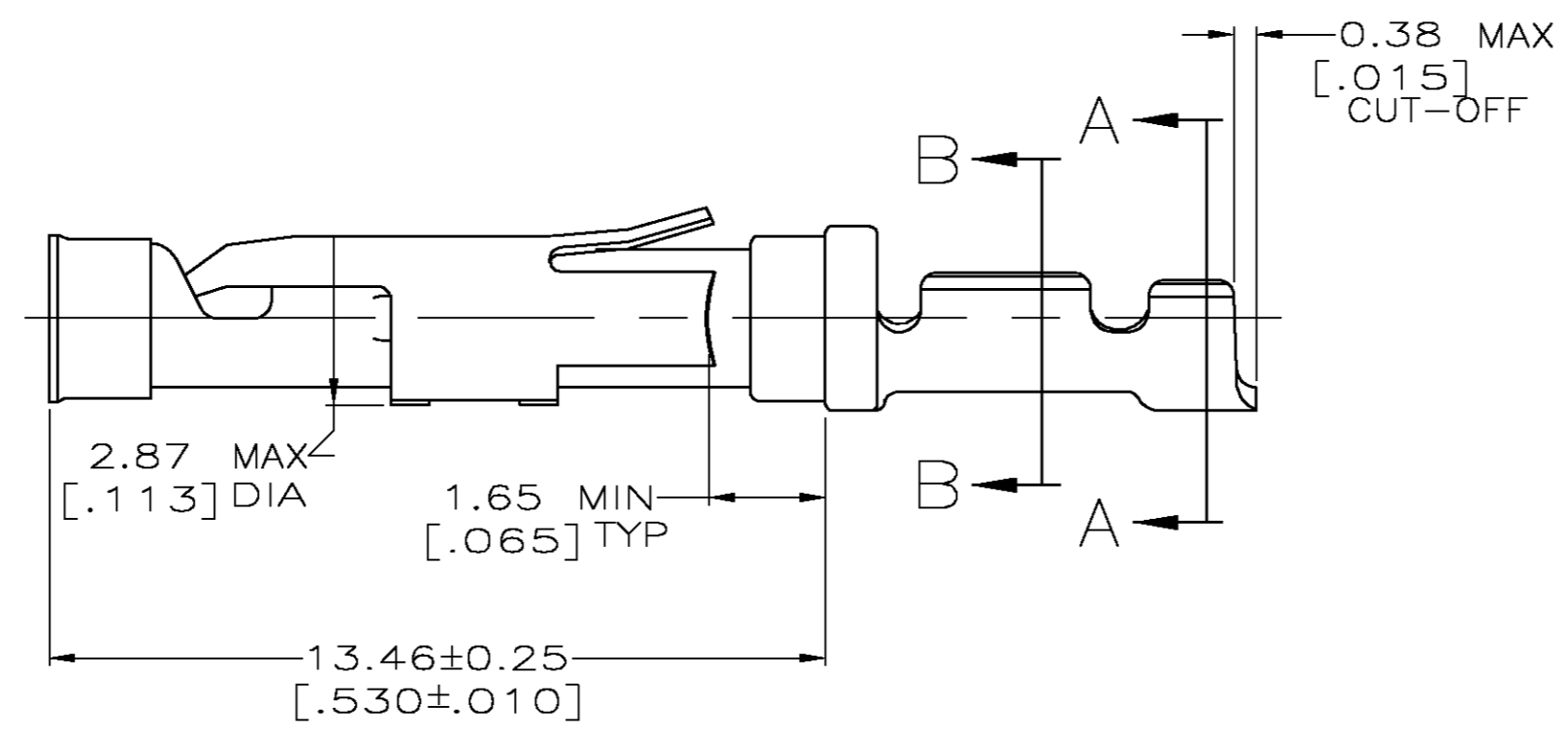
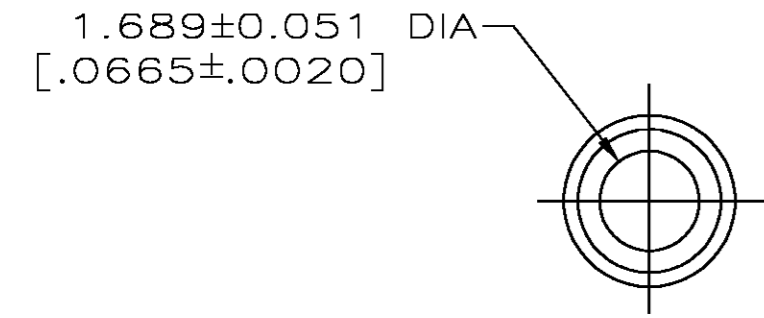
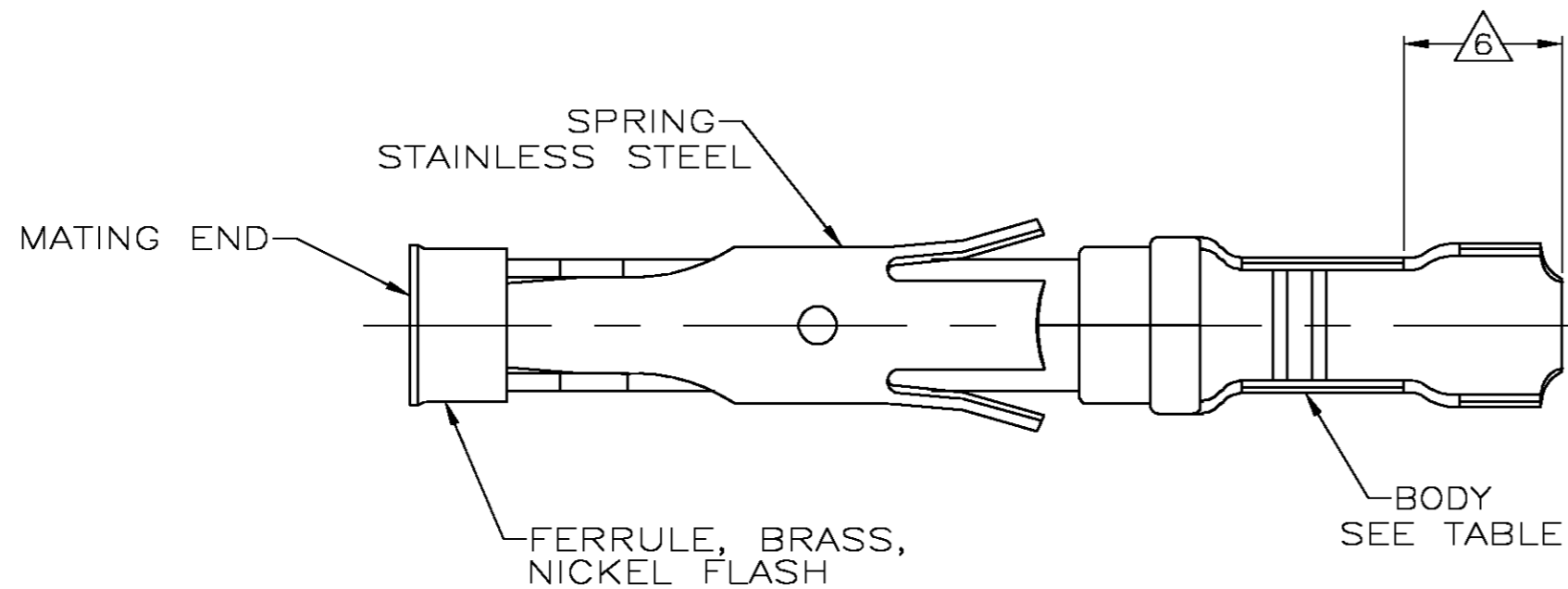
www.Jameco.com ♦ 1-800-831-4242

The content and copyrights of the attached
material are the property of its owner.

Jameco Part Number 746363

THIS DRAWING IS UNPUBLISHED. RELEASED FOR PUBLICATION
 © COPYRIGHT BY TYCO ELECTRONICS CORPORATION. ALL RIGHTS RESERVED.

LOC		DIST		REVISIONS			
P	LTR	DESCRIPTION	DATE	DWN	APVD		
FT	47	H	0B3B-0344-03	20APR03	TK	GS	



- ① 0.76µm [.000030] MIN GOLD PER MIL-G-45204 ON MATING END FOR A LENGTH OF 5.08 [.200] MIN WITH GOLD FLASH ON THE REMAINDER OVER 0.76µm [.000030] MIN NICKEL PER QQ-N-290.
- ② 1.27µm [.000050] MIN TIN-LEAD PER MIL-T-10727 OVER 0.76µm [.000030] MIN NICKEL PER QQ-N-290.
- ③ 0.76µm [.000030] MIN GOLD PER MIL-G-45204 ON MATING END FOR A LENGTH OF 5.08 [.200] MIN WITH A UNIFORM GRADIENT TO 0.25µm [.000010] MIN GOLD PER MIL-G-45204 ON THE REMAINDER OVER 0.76µm [.000030] NICKEL PER QQ-N-290.
- ④ 0.38µm [.000015] MIN GOLD PER MIL-G-45204 ON MATING END FOR A LENGTH OF 5.08 [.200] MIN WITH GOLD FLASH ON THE REMAINDER OVER 0.76µm [.000030] MIN NICKEL PER QQ-N-290.
- ⑤ 1.27µm [.000050] MIN GOLD PER MIL-G-45204 ON MATING END FOR A LENGTH OF 5.08 [.200] MIN WITH GOLD FLASH ON REMAINDER OVER 1.90µm [.000075] MIN NICKEL PER QQ-N-290.
- ⑥ GOLD PLATING NOT REQUIRED IN THIS AREA.
- 7. WIRE RANGE 24-20 AWG. INSULATION RANGE 1.02[.040]-2.03[.080].
- ⑧ 0.38µm [.000015] MIN GOLD PER MIL-G-45204 ON MATING END FOR A LENGTH OF 5.08 [.200] MIN, 1.27µm [.000050] MIN TIN-LEAD PER MIL-T-10727 FOR A LENGTH OF 5.69 [.224] MIN ON OPPOSITE END, BOTH OVER 1.27µm [.000050] MIN NICKEL PER QQ-N-290 ON ENTIRE CONTACT.
- ⑨ 1.27µm [.000050] MIN TIN PER MIL-T-10727 OVER 0.76µm [.000030] MIN NICKEL PER QQ-N-290.

	SMALL PACK	⑨	BRASS	1-66105-9	2-66105-0
	STANDARD	⑨	BRASS	3-66104-0	1-66105-9
	SMALL PACK	①	BRASS	66104-4	1-66105-8
	SMALL PACK	④	BRASS	66104-3	1-66105-7
	SMALL PACK	②	BRASS	66104-2	1-66105-6
	SMALL PACK	③	BRASS	66104-1	1-66105-5
OBSOLETE	STANDARD	⑧	BRASS	2-66104-6	1-66105-4
OBSOLETE	STANDARD	①	PHOSPHOR BRONZE	2-66104-3	1-66105-3
OBSOLETE	STANDARD	②	PHOSPHOR BRONZE	2-66104-2	1-66105-2
OBSOLETE	STANDARD	⑤	BRASS	1-66104-6	1-66105-0
	STANDARD	①	BRASS	66104-4	66105-4
	STANDARD	④	BRASS	66104-3	66105-3
	STANDARD	②	BRASS	66104-2	66105-2
	STANDARD	③	BRASS	66104-1	66105-1
	PACKAGING TYPE	BODY FINISH	BODY MATERIAL	STRIP P/N REF	PART NO

THIS DRAWING IS A CONTROLLED DOCUMENT.

DWN	L.SIPE	06/01/92	 Tyco Electronics Corporation City, State, Zip
CHK	W.LENKER	6-11-92	
APVD	G.STEINHAUER	7-8-92	
PRODUCT SPEC			
APPLICATION SPEC			NAME
			SOCKET ASSEMBLY, LOOSE PIECE, TYPE III+
MATERIAL	SEE CALLOUTS	FINISH	SEE CALLOUTS
WEIGHT	-	SCALE	A2 00779 C=66105
CUSTOMER DRAWING		SCALE	8:1 SHEET 1 OF 1 REV H