

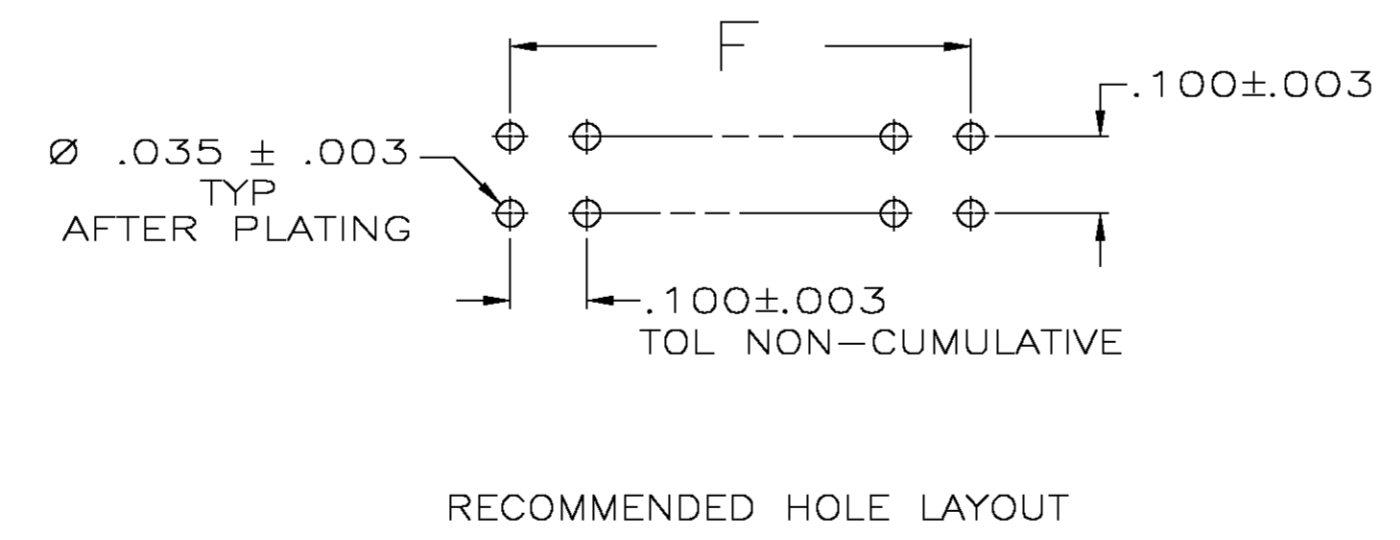
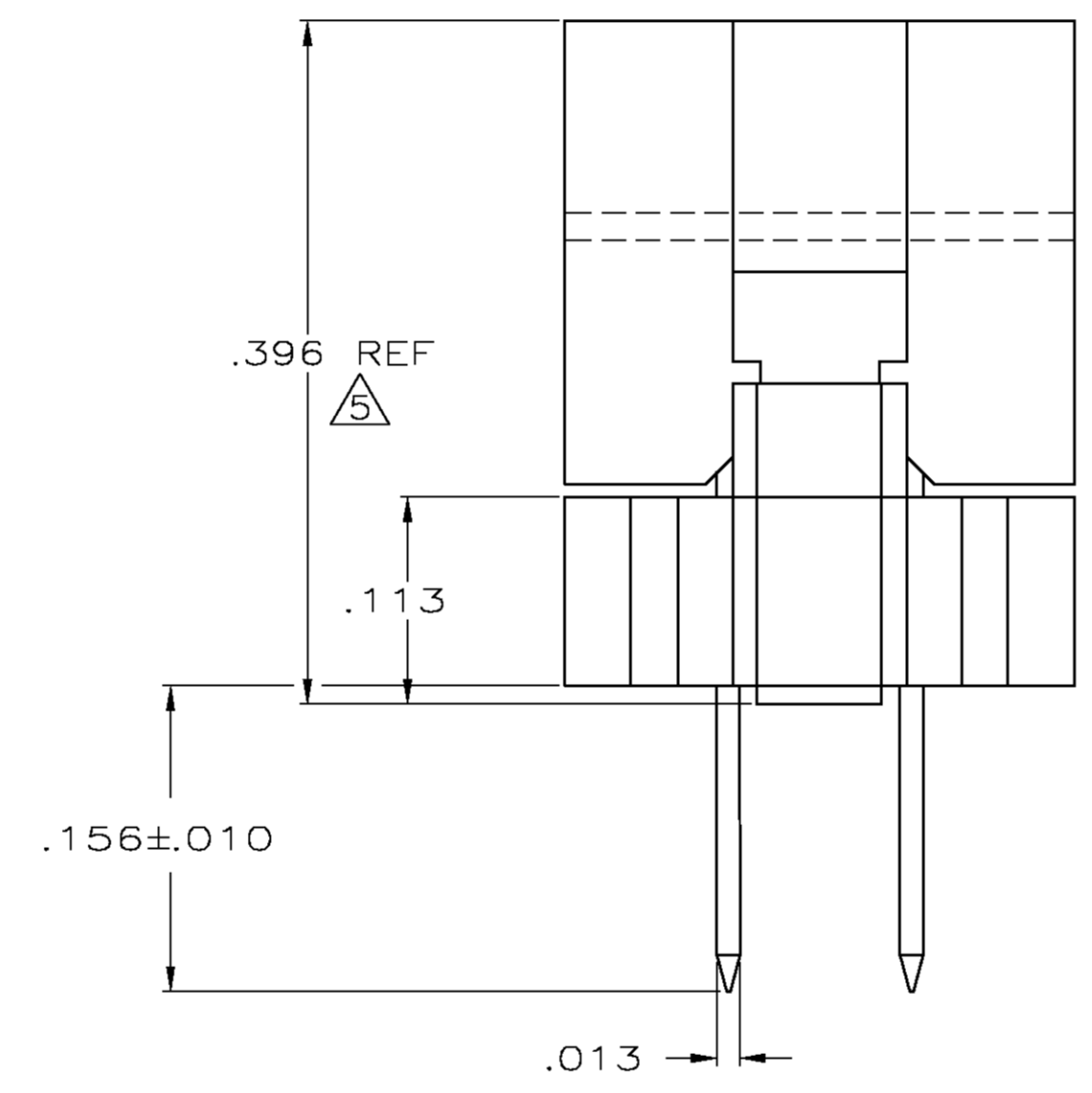
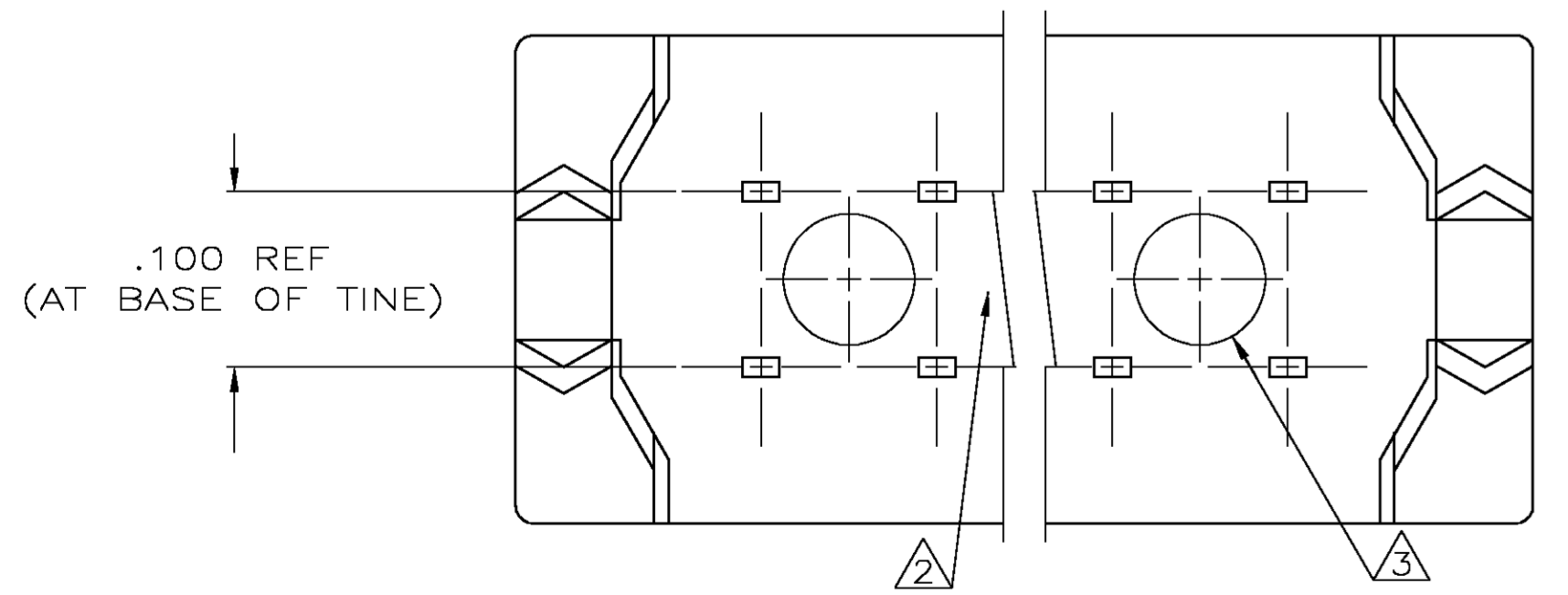
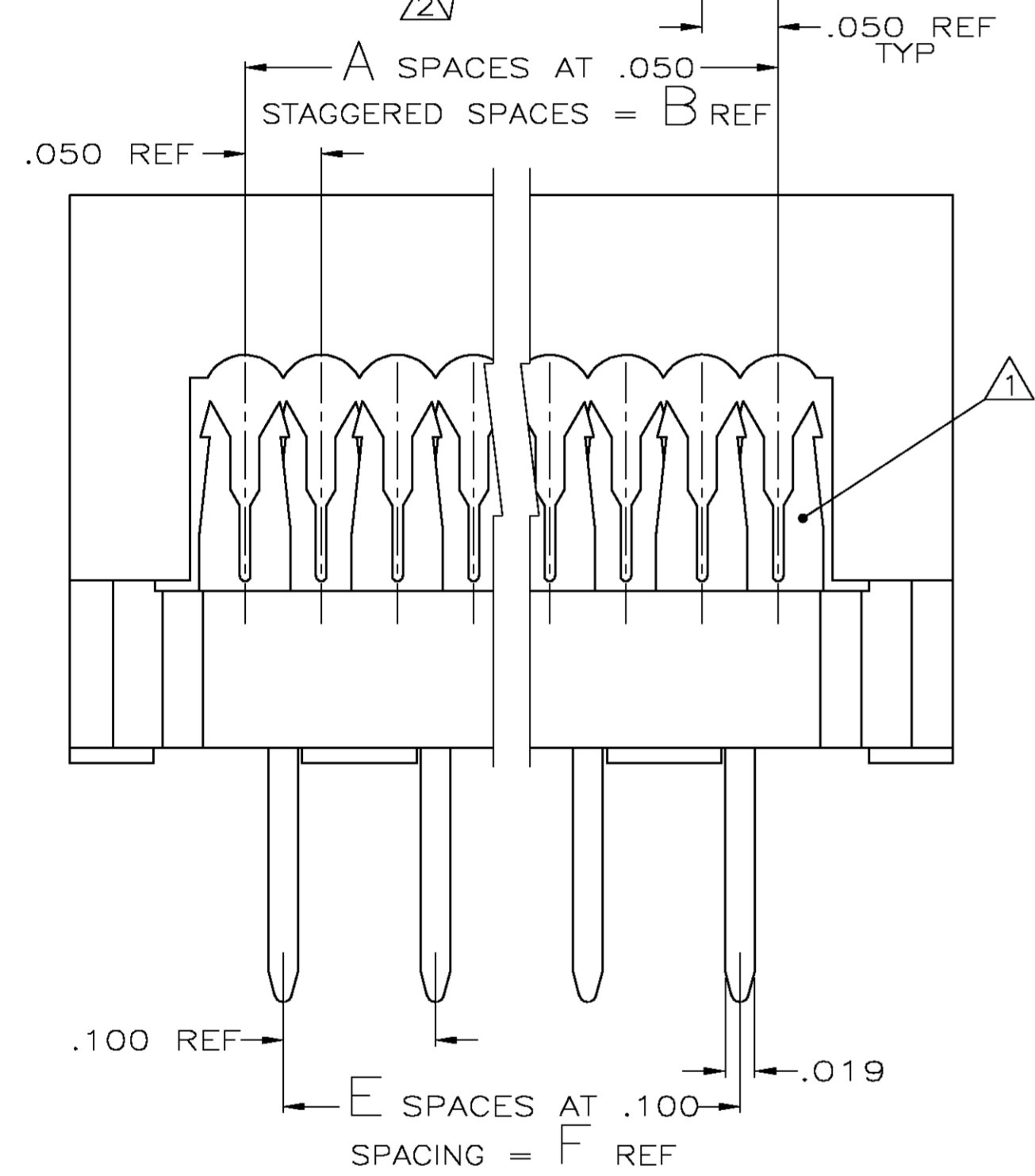
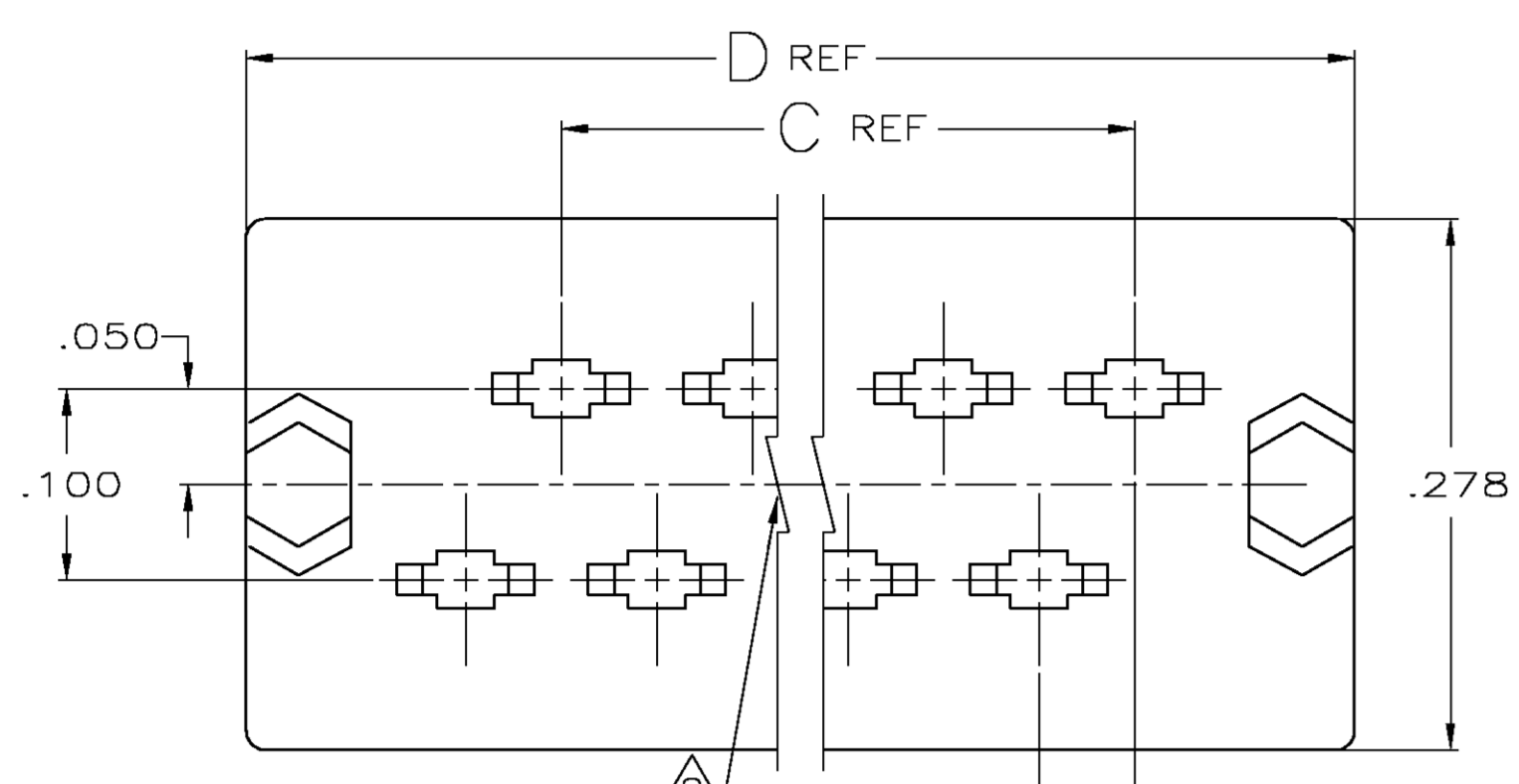
Distributed by:

**JAMECO**<sup>®</sup>  
ELECTRONICS

**www.Jameco.com ♦ 1-800-831-4242**

The content and copyrights of the attached  
material are the property of its owner.

Jameco Part Number 746435



- △ CONTACTS DESIGNED FOR 28 AWG STRANDED OR 26,28, & 30 AWG SOLID WIRE.
- △ AMP TRADEMARK LOCATED IN APPROX AREA SHOWN.
- △ STANDOFFS: POS 10 (2) STANDOFFS AS SHOWN.  
 14-16 (3) STANDOFFS, (1) CENTERED BETWEEN (2) SHOWN  
 20-26 (4) (2)  
 30 (5) (3)  
 34 (6) (4)  
 40-44 (7) (5)  
 50 (8) (6)  
 60 (9) (7)  
 64 (10) (8)
- △ .000100-.000200 BRIGHT TIN LEAD, ALL OVER .000050 NICKEL.
- △ HEIGHT AFTER TERMINATION IS .253 REF.
- △ .000100-.000200 MATTE TIN, ALL OVER .000050 NICKEL.
- △ MOLDED PARTS, 94V-0 RATED THERMOPLASTIC, COLOR: BLACK. CONTACTS: PHOS BRONZE.

△6	2.100	21	2.380	2.100	2.150	43	44	2-746610-6
△6	3.100	31	3.380	3.100	3.150	63	64	2- -5
△6	2.900	29	3.180	2.900	2.950	59	60	2- -4
△6	1.100	11	1.380	1.100	1.150	23	24	2- -3
△6	.600	6	.880	.600	.650	13	14	2- -2
△6	.400	4	.680	.400	.450	9	10	2- -1
△6	2.400	24	2.680	2.400	2.450	49	50	2- -0
△6	1.900	19	2.180	1.900	1.950	39	40	1- -9
△6	1.600	16	1.880	1.600	1.650	33	34	1- -8
△6	1.400	14	1.680	1.400	1.450	29	30	1- -7
△6	1.200	12	1.480	1.200	1.250	25	26	1- -6
△6	.900	9	1.180	.900	.950	19	20	1- -5
△6	.700	7	.980	.700	.750	15	16	1- -4
△4	2.100	21	2.380	2.100	2.150	43	44	1- -3
△4	3.100	31	3.380	3.100	3.150	63	64	1- -2
△4	2.900	29	3.180	2.900	2.950	59	60	1- -1
△4	2.400	24	2.680	2.400	2.450	49	50	1- -0
△4	1.900	19	2.180	1.900	1.950	39	40	1- -9
△4	1.600	16	1.880	1.600	1.650	33	34	1- -8
△4	1.400	14	1.680	1.400	1.450	29	30	1- -7
△4	1.200	12	1.480	1.200	1.250	25	26	1- -6
△4	1.100	11	1.380	1.100	1.150	23	24	1- -5
△4	.900	9	1.180	.900	.950	19	20	1- -4
△4	.700	7	.980	.700	.750	15	16	1- -3
△4	.600	6	.880	.600	.650	13	14	1- -2
△4	.400	4	.680	.400	.450	9	10	746610 -1
CONTACT FINISH	F	E	D	C	B	A	NO OF POSN	PART NO

THIS DRAWING IS A CONTROLLED DOCUMENT.

DIMENSIONS: INCHES	TOLERANCES UNLESS OTHERWISE SPECIFIED:	DWN L VARELA - DOCKS 11-29-04	CHK C. ROHDE 11-29-04	APVD M. WALMSLEY 11-29-04	NAME	TYCO Electronics	Tyco Electronics Corporation Harrisburg, PA 17105-3608
0 PLG ± -	1 PLG ± -	2 PLG ± -	3 PLG ± .005	4 PLG ± -	ANGLES ± -	PRODUCT SPEC 108-40013	APPLICATION SPEC 114-40005
MATERIAL	FINISH	WEIGHT	SCALE	SHEET	1 OF 1	REV F	RESTRICTED TO
△	CONTACTS: SEE TABLE	-	A1 00779	746610	C=	746610	CUSTOMER DRAWING