

Distributed by:

**JAMECO**<sup>®</sup>  
ELECTRONICS

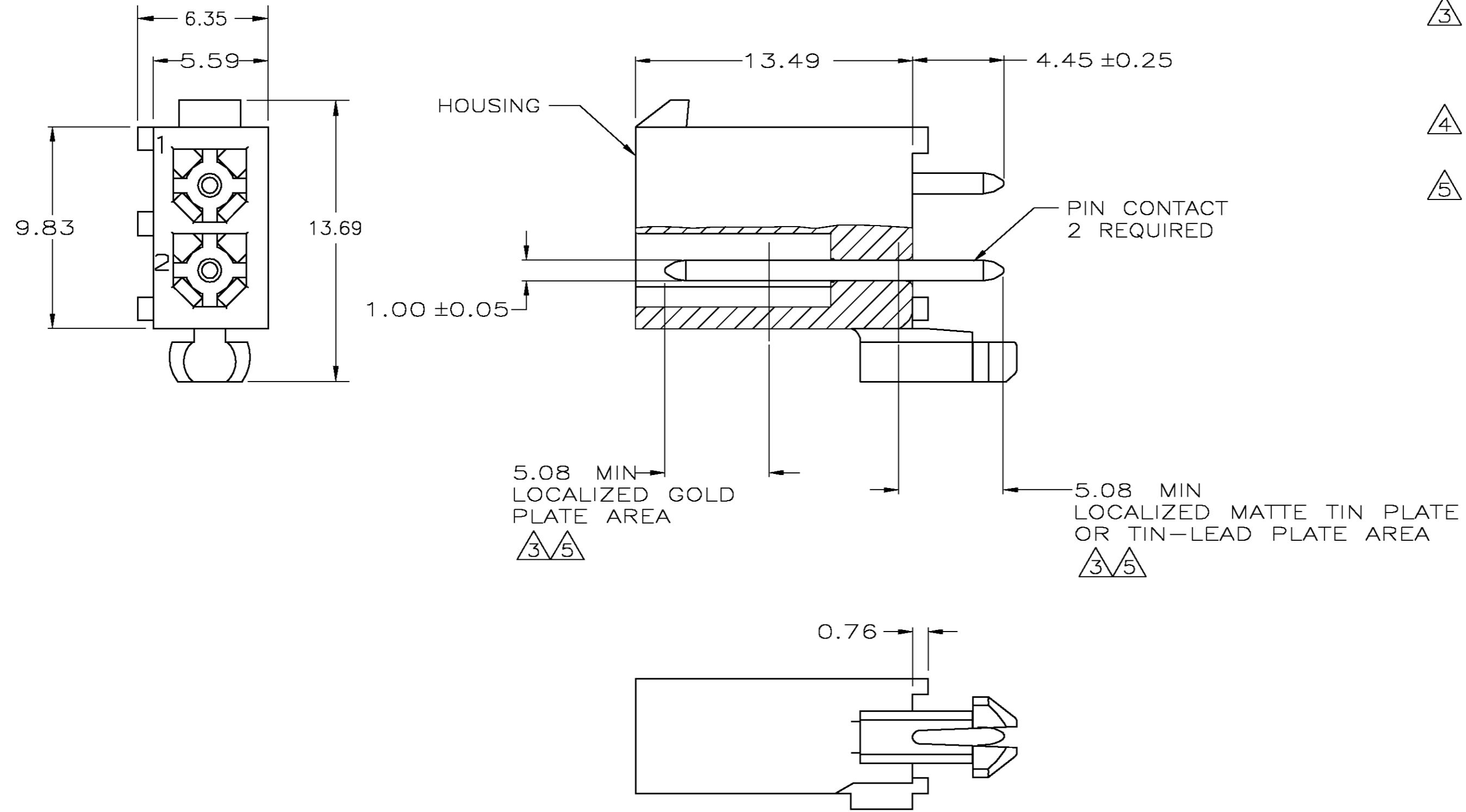
**www.Jameco.com ♦ 1-800-831-4242**

The content and copyrights of the attached  
material are the property of its owner.

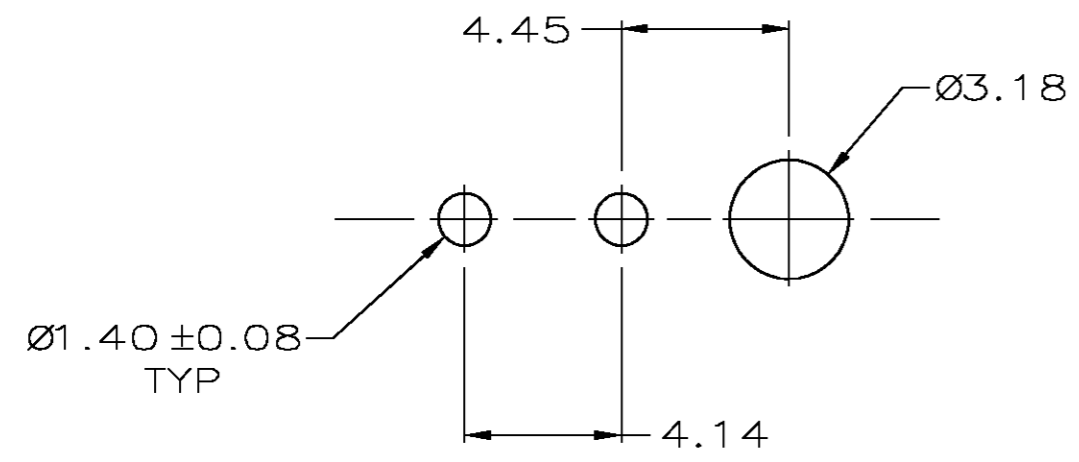
Jameco Part Number 746451

THIS DRAWING IS UNPUBLISHED. RELEASED FOR PUBLICATION  
 © COPYRIGHT BY TYCO ELECTRONICS CORPORATION. ALL RIGHTS RESERVED.

LOC	DIST	REVISIONS			
P	LTR	DESCRIPTION	DATE	DWN	APVD
CM	0	L	REVISED PER 0G3B-0211-05	6/8/05	SS RJ



- PINS TO COMPLY WITH AMP SOLDERABILITY SPEC. 109-11-3.
- 0.00381 MIN MATTE TIN LEAD PLATE OVER 0.00127 MIN NICKEL.
- 0.00076 MIN GOLD PLATE IN THE LOCALIZED PLATE AREA, 0.00381 MATTE TIN LEAD IN THE LOCALIZED PLATE AREA, BOTH OVER 0.00127 MIN NICKEL.
- 0.00381 MIN MATTE TIN PLATE OVER 0.00127 MIN NICKEL.
- 0.00076 MIN GOLD PLATE IN THE LOCALIZED PLATE AREA, 0.00381 MATTE TIN IN THE LOCALIZED PLATE AREA, BOTH OVER 0.00127 MIN NICKEL.



RECOMMENDED LAYOUT FOR 1.57 THICK BOARD  
 TOLERANCES NON-ACCUMULATIVE

MATERIAL	FINISH	MATERIAL	COLOR	PART NO.
BRASS, GOLD	5	NYLON, UL94V-0	WHITE	1-770166-1
BRASS, TIN	4	NYLON, UL94V-0	WHITE	1-770166-0
BRASS, GOLD	3	NYLON, UL94V-0	WHITE	770166-2
BRASS, TIN-LEAD	2	NYLON, UL94V-0	WHITE	770166-1

THIS DRAWING IS A CONTROLLED DOCUMENT.

DIMENSIONS: INCHES	TOLERANCES UNLESS OTHERWISE SPECIFIED:	DWN: S CARPENTER	OBJUN05	Tyco Electronics Corporation Harrisburg, Pa 17105-3608
		CHK: R JONES	28JUL2003	
		APVD: R JONES	28JUL2003	
		PRODUCT SPEC		
MATERIAL	FINISH	WEIGHT	SCALE	RESTRICTED TO
-	-	-	A2 00779 C=770166	-
CUSTOMER DRAWING			SCALE: 5:1	SHEET 1 OF 1

770166