

Distributed by:

JAMECO[®]
ELECTRONICS

www.Jameco.com ♦ 1-800-831-4242

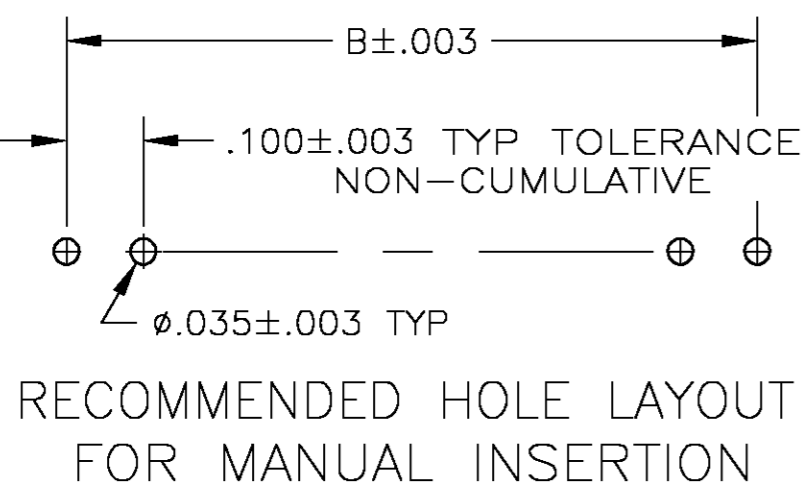
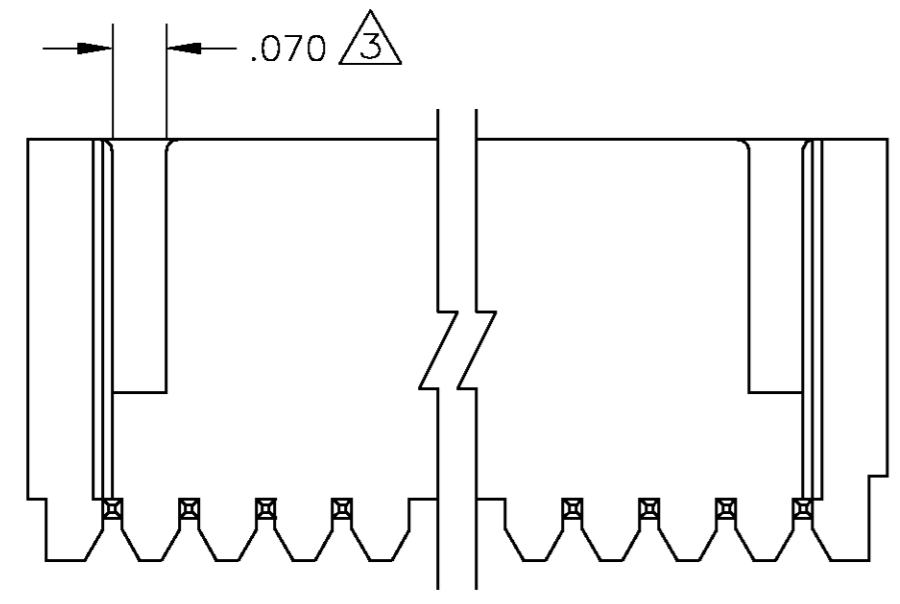
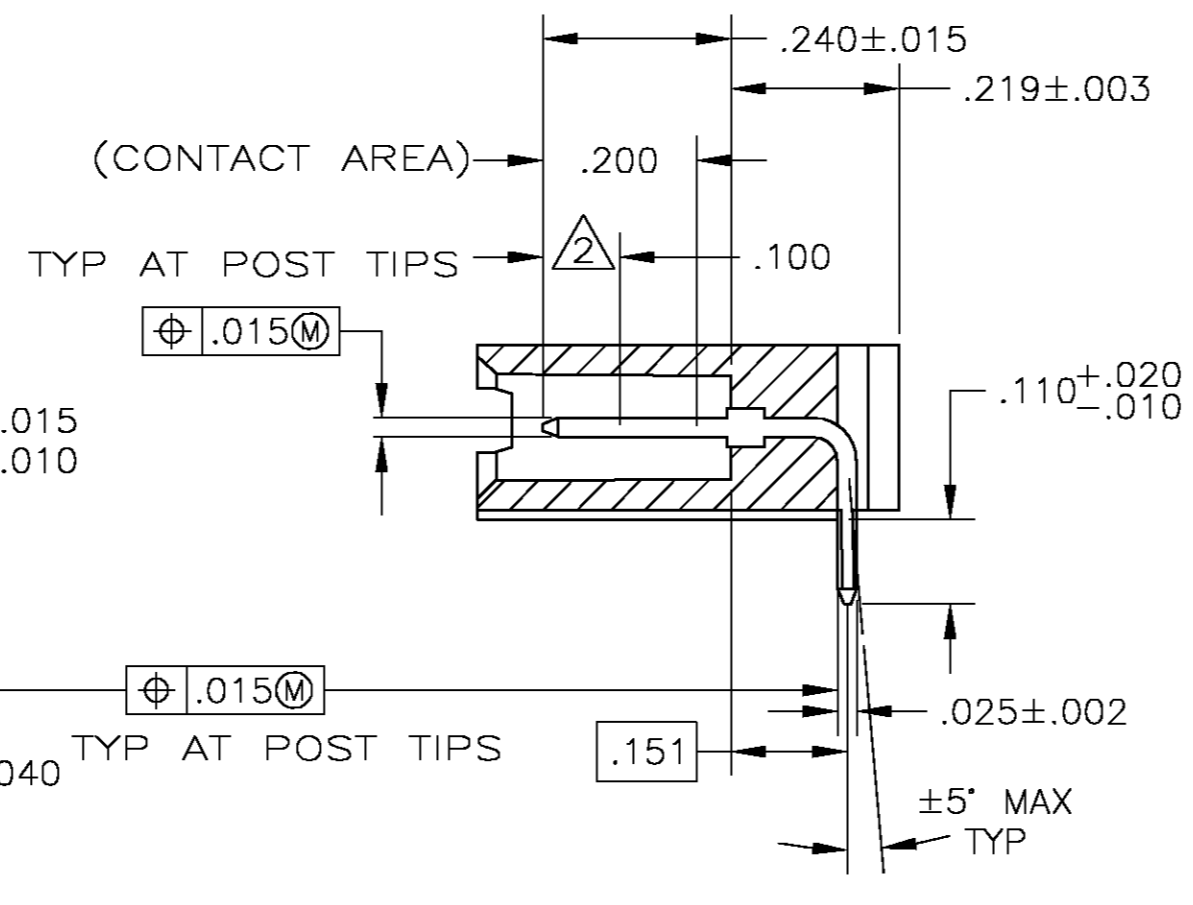
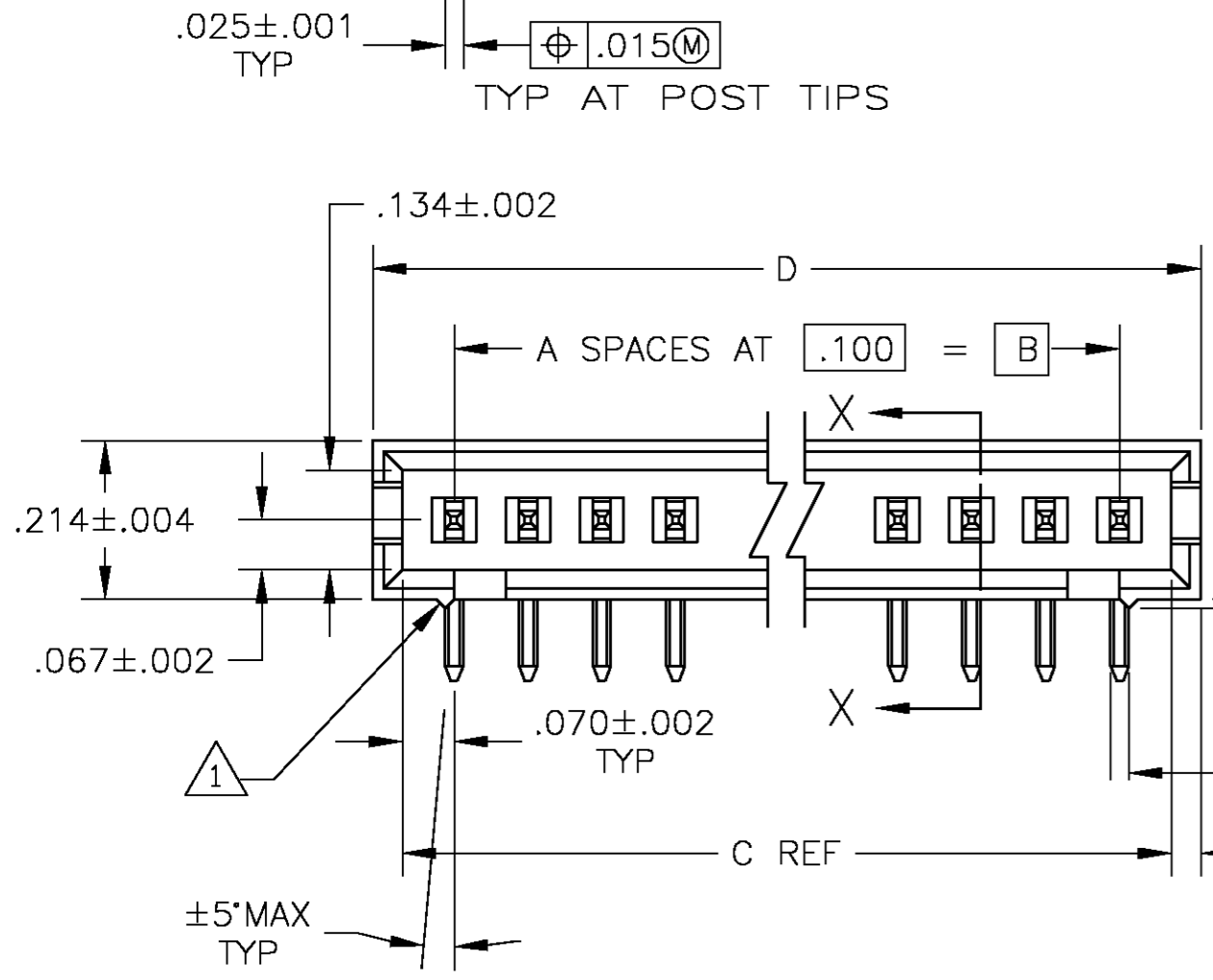
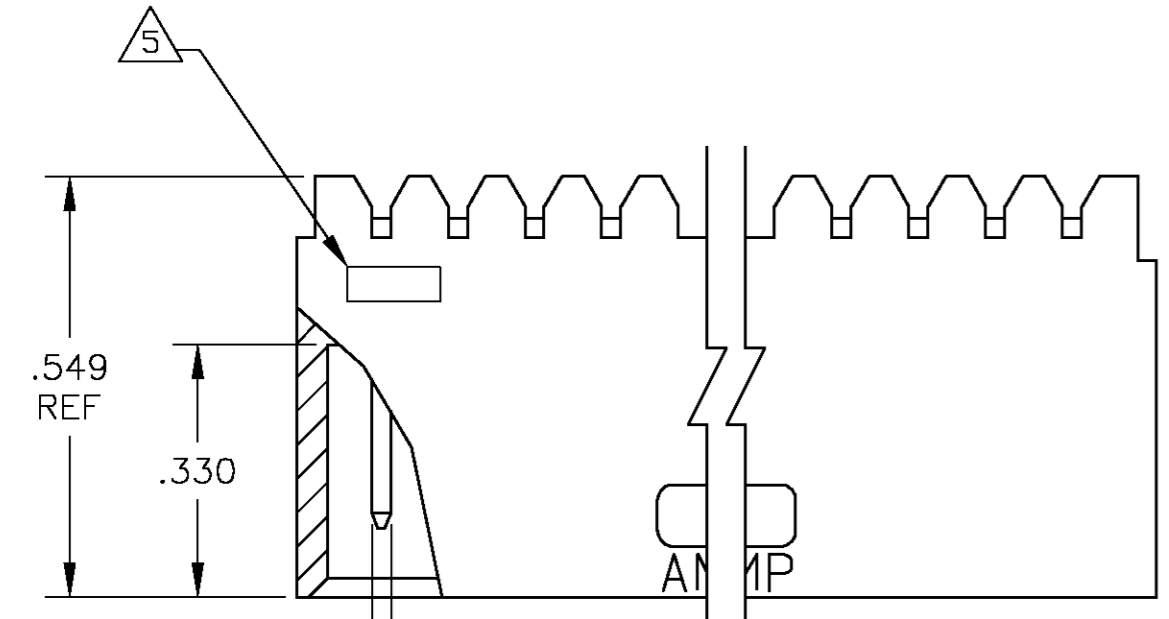
The content and copyrights of the attached
material are the property of its owner.

Jameco Part Number 746734

THIS DRAWING IS UNPUBLISHED. RELEASED FOR PUBLICATION
 © COPYRIGHT BY TYCO ELECTRONICS CORPORATION. ALL RIGHTS RESERVED.

LOC		DIST		REVISIONS			
P	LTR	DESCRIPTION		DATE	DWN	APVD	
	U	REV PER 0G3C-0210-04		06APR04	RB	JG	

- ① STANDOFFS: UP TO 9 POS-(2 REQD) ON THE OUTSIDE ENDS OF THE HOUSING
10 TO 19 POS-(3 REQD) TWO ON THE OUTSIDE ENDS AND ONE CENTERED ON THE HOUSING
19 POS AND LARGER-(4 REQD) TWO ON THE OUTSIDE ENDS AND TWO SPACED EVENLY
WITHIN THE REMAINING LENGTH OF THE HOUSING.
- ② POINT OF MEASUREMENT FOR PLATING THICKNESS.
- ③ FOR 3 POS (3--4 & 3--9 ONLY) ONE SLOT, .215 WIDE.
- ④ INDICATED PARTS ARE PACKAGED IN "GANG-OF-TUBES".
- ⑤ RECESSED DATE CODE
- ⑥ INDICATED PARTS ARE PACKAGED IN "SINGLE TUBES".
- ⑦ .000015 GOLD ON THE CONTACT AREA, .000100-.000200 MATTE TIN-LEAD
ON THE SOLDER TAIL, ALL OVER .000050 NICKEL.
- ⑧ .000015 GOLD ON THE CONTACT AREA, .000100-.000200 MATTE TIN
ON THE SOLDER TAIL, ALL OVER .000050 NICKEL.
- ⑨ PRELIMINARY PART



FINISH	D	C	B	A	NO OF POS	ASSEMBLY PART NUMBER
⑧	1.720	1.640	1.500	15	16	4-102203-0
⑧	.420	.340	.200	2	③ 3	3-102203-9
⑧	1.020	.940	.800	8	9	3-102203-8
⑧	.520	.440	.300	3	4	3-102203-7
⑥	.820	.740	.600	6	7	3-102203-6
⑦	1.120	1.040	.900	9	④ 10	3-102203-5
⑦	.420	.340	.200	2	③ 3	3-102203-4
OBSOLETE	⑦ 3.720	3.640	3.500	35	36	3-- -3
OBSOLETE	⑦ 3.620	3.540	3.400	34	35	3-- -2
OBSOLETE	⑦ 3.520	3.440	3.300	33	34	3-- -1
OBSOLETE	⑦ 3.420	3.340	3.200	32	33	3-- -0
OBSOLETE	⑦ 3.320	3.240	3.100	31	32	2-- -9
OBSOLETE	⑦ 3.220	3.140	3.000	30	31	2-- -8
OBSOLETE	⑦ 3.120	3.040	2.900	29	30	2-- -7
OBSOLETE	⑦ 3.020	2.940	2.800	28	29	2-- -6
OBSOLETE	⑦ 2.920	2.840	2.700	27	28	2-- -5
OBSOLETE	⑦ 2.820	2.740	2.600	26	27	2-- -4
OBSOLETE	⑦ 2.720	2.640	2.500	25	26	2-- -3
⑦	2.620	2.540	2.400	24	25	2-- -2
⑦	2.520	2.440	2.300	23	24	2-- -1
⑦	2.420	2.340	2.200	22	23	2-- -0
⑦	2.320	2.240	2.100	21	22	1-- -9
⑦	2.220	2.140	2.000	20	21	1-- -8
⑦	2.120	2.040	1.900	19	20	1-- -7
⑦	2.020	1.940	1.800	18	19	1-- -6
⑦	1.920	1.840	1.700	17	18	1-- -5
⑦	1.820	1.740	1.600	16	17	1-- -4
⑦	1.720	1.640	1.500	15	16	1-- -3
⑦	1.620	1.540	1.400	14	15	1-- -2
⑦	1.520	1.440	1.300	13	14	1-- -1
⑦	1.420	1.340	1.200	12	13	1-- -0
⑦	1.320	1.240	1.100	11	12	- -9
⑦	1.220	1.140	1.000	10	11	- -8
⑦	1.120	1.040	.900	9	10	- -7
⑦	1.020	.940	.800	8	9	- -6
⑦	.920	.840	.700	7	8	- -5
⑦	.820	.740	.600	6	7	- -4
⑦	.720	.640	.500	5	6	- -3
⑦	.620	.540	.400	4	5	- -2
⑦	.520	.440	.300	3	4	102203 -1

THIS DRAWING IS A CONTROLLED DOCUMENT.

DWN: D. RINGLEY 6-11-85
 CHK: -
 APVD: D. DUPLER 6-11-85

TOLERANCES UNLESS OTHERWISE SPECIFIED:
 0 PLC ± -
 1 PLC ± -
 2 PLC ± -
 3 PLC ± .005
 4 PLC ± -
 ANGLES ± -
 FINISH SEE TABLE

MATERIAL: RETARDANT THERMOPLASTIC, COLOR-BLACK, POSTS-PHOS BRONZE

NAME: ASSEMBLY, MOD II, HEADER, SINGLE ROW, .100 C/L, RIGHT ANGLE, WITH .025 SQ. POST

SIZE: A2 CAGE CODE: 00779 DRAWING NO: 102203 RESTRICTED TO: -

WEIGHT: - SCALE: 4:1 SHEET: 1 OF 1 REV: U

CUSTOMER DRAWING