

Distributed by:

JAMECO[®]
ELECTRONICS

www.Jameco.com ♦ 1-800-831-4242

The content and copyrights of the attached
material are the property of its owner.

Jameco Part Number 747041

MTE Headers, Shrouded Polarized/Latching, Single-Row .100 [2.54] Centerline

**.025 [0.64] Square
Straight Post (With or
Without Swaged Tail)**

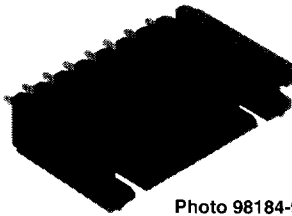


Photo 98184-9

Material and Finish:

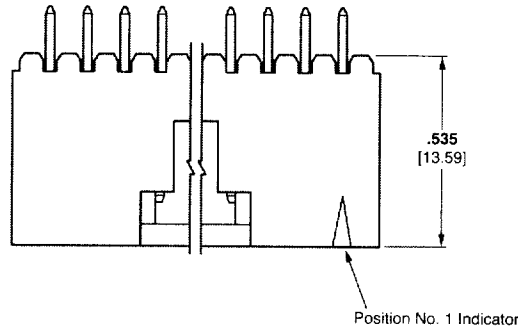
Housing—Black thermoplastic, 94V-0 rated

Posts—Copper alloy, plated as follows:

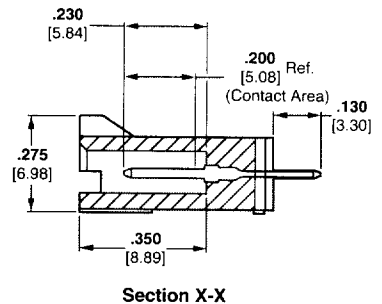
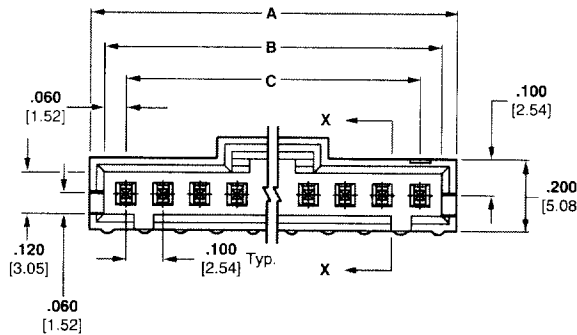
Plating A—Duplex plated .000030 [0.00076] gold on contact area, .000100 [0.00254] min. tin-lead on solder area, with entire post underplated .000050 [0.00127] nickel

Plating B—Duplex plated .000015 [0.00038] gold on contact area, .000100 [0.00254] min. tin-lead on solder area, with entire post underplated .000050 [0.00127] nickel

Plating C— .000100 [0.00254] tin-lead over .000050 [0.00127] nickel on entire post



Swaged Retention Tail
(See Note)



Related Product Data:

Mateable AMPMODU MTE Products:

Receptacle Assemblies (Polarized/Latching)— pages 2132, 2133

Receptacle Assemblies with Guide Ribs (installed in Single-Row Coupling Shroud)— pages 2134, 2138

Technical Documents: pages 2161, 2162

Product Specification 108-25034

Application Specification 114-25026

No. of Positions	Dimensions						Part Numbers					
	A		B		C		Polarized/Latching Header With Swage			Polarized/Latching Header Without Swage		
	A	B	A	B	A	C	Plating A	Plating B	Plating C	Plating A	Plating B	Plating C
2	.300	7.62	.220	5.59	.100	2.54	103908-1	—	103669-1	103735-1	—	103639-1
3	.400	10.16	.320	8.13	.200	5.08	103908-2	—	103669-2	103735-2	—	103639-2
4	.500	12.70	.420	10.67	.300	7.62	103908-3	—	103669-3	103735-3	103638-3	103639-3
5	.600	15.24	.520	13.21	.400	10.16	—	—	103669-4	103735-4	103638-4	103639-4
6	.700	17.78	.620	15.75	.500	12.70	—	103670-5	103669-5	103735-5	103638-5	103639-5
7	.800	20.32	.720	18.29	.600	15.24	103908-6	103670-6	103669-6	103735-6	103638-6	103639-6
8	.900	22.86	.820	20.83	.700	17.78	103908-7	103670-7	—	103735-7	103638-7	103639-7
9	1.000	25.40	.920	23.37	.800	20.32	103908-8	103670-8	103669-8	—	103638-8	—
10	1.100	27.94	1.020	25.91	.900	22.86	103908-9	—	103669-9	103735-9	103638-9	103639-9
11	1.200	30.48	1.120	28.45	1.000	25.40	—	1-103670-0	—	—	—	—
12	1.300	33.02	1.220	30.99	1.100	27.94	1-103908-1	1-103670-1	1-103669-1	1-103735-1	1-103638-1	1-103639-1
14	1.500	38.10	1.420	36.07	1.300	33.02	—	1-103670-3	—	1-103735-3	1-103638-3	—
15	1.600	40.64	1.520	38.61	1.400	35.56	1-103908-4	1-103670-4	—	—	1-103638-4	—
16	1.700	43.18	1.620	41.15	1.500	38.10	—	1-103670-5	—	—	1-103638-5	—
18	1.900	48.26	1.820	46.23	1.700	43.18	1-103908-7	1-103670-7	—	—	—	—
20	2.100	53.34	2.020	51.31	1.900	48.26	1-103908-9	—	—	—	1-103638-9	—
24	2.500	63.50	2.420	61.47	2.300	58.42	—	2-103670-3	—	—	—	—
25	2.600	66.04	2.520	64.01	2.400	60.96	—	2-103670-4	—	—	—	—

Notes: 1. Selectively loaded headers are available, consult Tyco Electronics.
2. Use **Keying Tool No. 91417-1** to remove post for keying.

For complete product information, order Catalog 1307819