

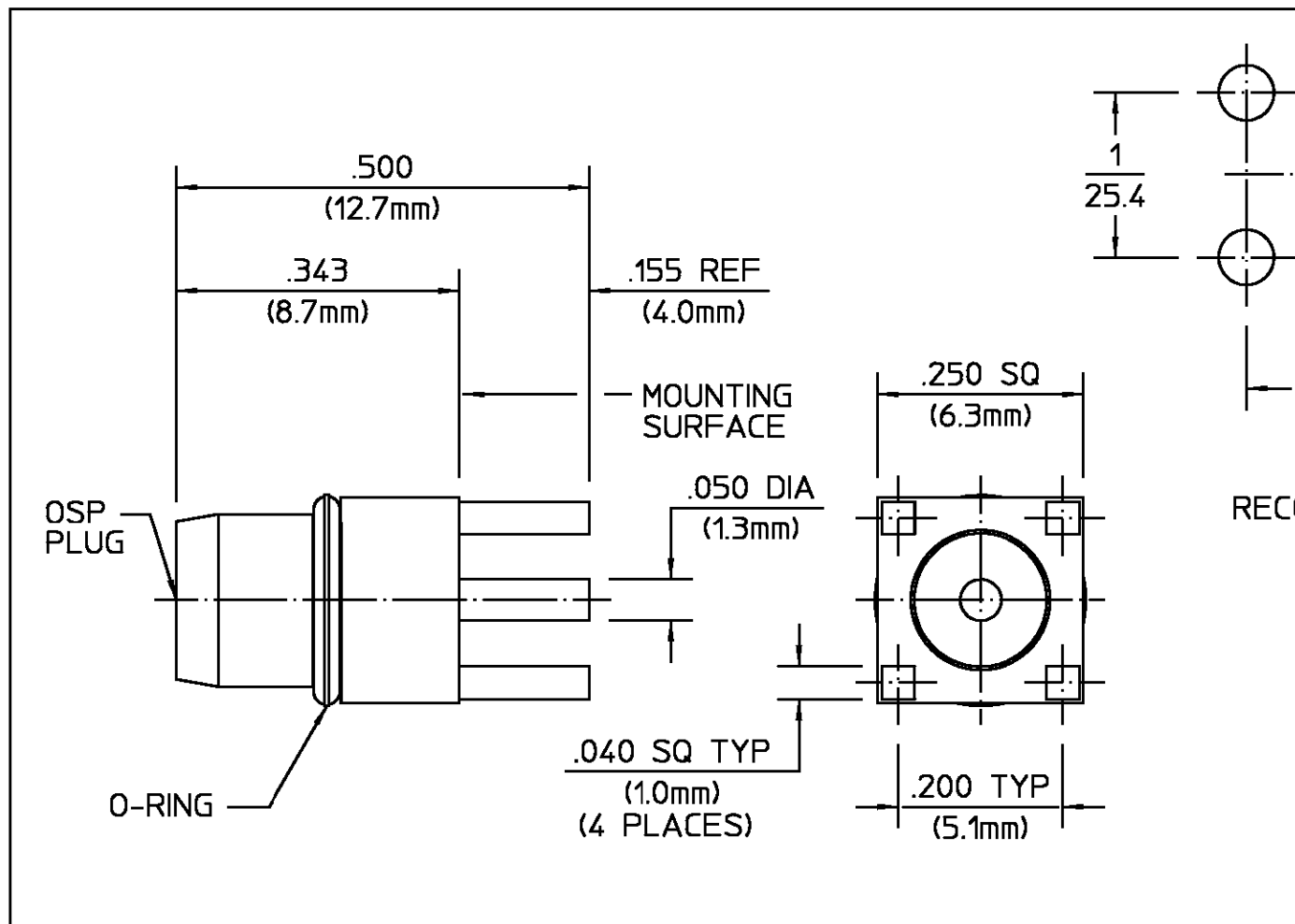
Distributed by:

**JAMECO**<sup>®</sup>  
ELECTRONICS

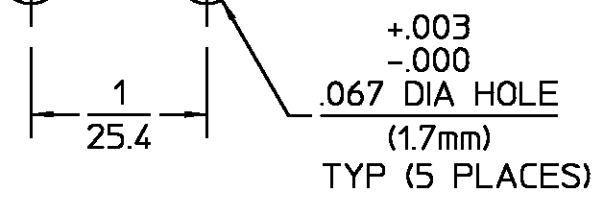
**www.Jameco.com ♦ 1-800-831-4242**

The content and copyrights of the attached  
material are the property of its owner.

Jameco Part Number 748262



REVISIONS			
REV	DESCRIPTION	DATE	APPROVED
02 <sub>0</sub>	PART NO WAS 4562-0000-00 PER ECN 84-0476	LR 8/16/84	D.CAM
02 <sub>1</sub>	REDRAWN ON CAD PER ECN 88-0678	BME 2/7/90	BB 2/9/90



RECOMMENDED MOUNTING HOLE DIMENSIONS (P.C.B.)

NOTES:  
1. CAPTURED CENTER CONTACT

HOUSING	STAINLESS STEEL PER ASTM-A484 AND ASTM-A582, TYPE 303	GOLD PLATE PER MIL-G-45204 OVER NICKEL PLATE PER QQ-N-290
DIELECTRIC	TFE FLUOROCARBON PER ASTM-D-1457, MIL-P-19468, AND FED. SPEC L-P-403	N/A
CENTER CONTACT	BERYLLIUM COPPER PER ASTM-B196, ALLOY 173	GOLD PLATE PER MIL-G-45204 OVER COPPER PLATE PER MIL-C-14550
"O" - RING	NITRILE (BUNA-N) PER MIL-P-25732	N/A
COMPONENT	MATERIAL	FINISH

ELECTRICAL	MECHANICAL	ENVIRONMENTAL
Nominal Impedance (Ohms) <u>50</u>	Interface Dimensions per <u>DESC spec 85701</u>	Temperature Rating <u>-65°C to +125°C</u>
Frequency Range (GHz) <u>DC-18</u>	Recommended Mating Torque <u>N/A</u>	Vibration - MIL-STD-202, Method 204, Condition D
Volt Rating (VRMS MAX) <u>500 @ Sea level</u>	Mating Characteristics:	Shock - MIL-STD-202, Method 213, Condition I
VSWR <u>N/A</u>	Insertion (MAX Lbs) <u>N/A</u>	Thermal shock MIL-STD-202, Method 107 Test Condition B
Insertion Loss (dB MAX) <u>N/A</u>	Withdrawal (MIN Oz) <u>N/A</u>	Except High Temp 115°C
RF Leakage (dB MIN) <u>-(90-F(GHz))</u>	Connector Engagement and Disengagement (In/Lbs MAX) <u>N/A</u>	Moisture Resistance - MIL-STD-202, Method 106
(Interface only, fully mated)	Center Contact Captivation	Corrosion - MIL-STD-202, Method 101, Condition B, 5% salt spray
Corona, 70,000 Ft (VRMS MIN) <u>335</u>	Axial <u>6 Lbs</u>	
Dielectric Withstanding Voltage (VRMS MIN) <u>1000</u>	Radial <u>None</u>	
Contact Resistance (Milliohms MAX)	Cable Retention	
Center Contact <u>2.0</u>	Axial Force <u>N/A</u>	
Outer Contact <u>2.0</u>	Torque <u>N/A</u>	
RF High Potential (VRMS MIN @ 5 MHz) <u>1000</u>	Weight (Grams) _____	
LR.(Megohms) <u>5000 MIN</u>		

UNLESS OTHERWISE SPECIFIED DIMENSIONS ARE IN INCHES TOLERANCE ON FRAC. DEC. ANGLES ± 1/64 ± .005 ± °	DRWN BY <u>JDP</u>	DATE <u>2-9-83</u>	AMP Incorporated 140 Fourth Avenue Waltham, MA 02451-7599
	CHECKED BY <u>T. SCANNELLI</u>	<u>9/29/83</u>	
These drawings and specifications are the property of Omni Spectra Incorporated and shall not be reproduced or copied or used in whole or in part as the basis for the manufacture or sale of item(s) without written permission.	APPR BY <u>T. SCANNELLI</u>	<u>9/29/83</u>	AMP
	USE ASS'Y PROCEDURE		
	NO. AP. <u>N/A</u>		
TITLE <b>OSP PRINTED CIRCUIT BOARD PLUG RECEPTACLE - STRAIGHT TERMINAL</b>		SIZE <u>B</u>	CODE IDENT NO. <u>26805</u>
SCALE <u>5:1</u>		REV <u>02<sub>1</sub></u>	
		SHEET 1 OF 1	