

Distributed by:

JAMECO[®]
ELECTRONICS

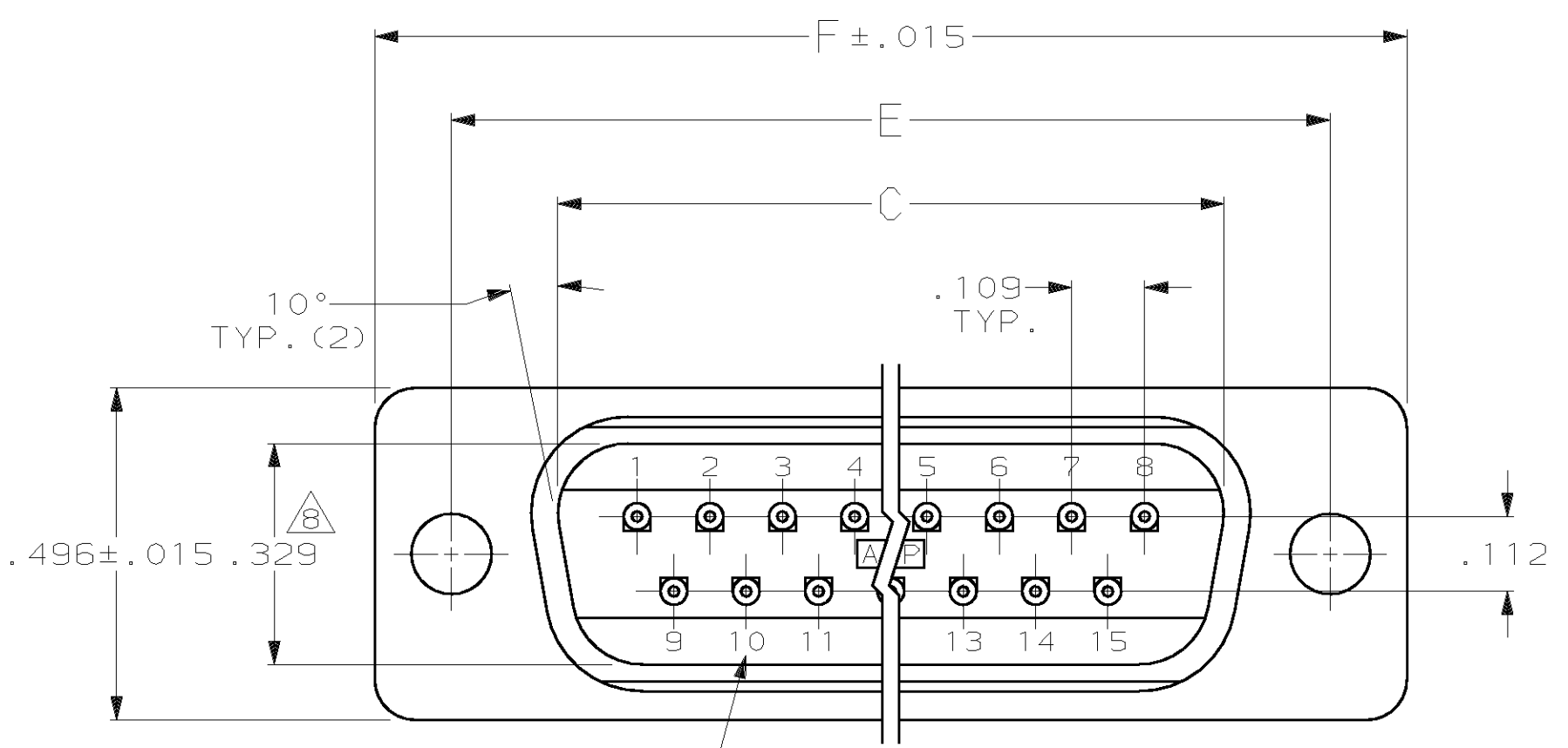
www.Jameco.com ♦ 1-800-831-4242

The content and copyrights of the attached
material are the property of its owner.

Jameco Part Number 748799

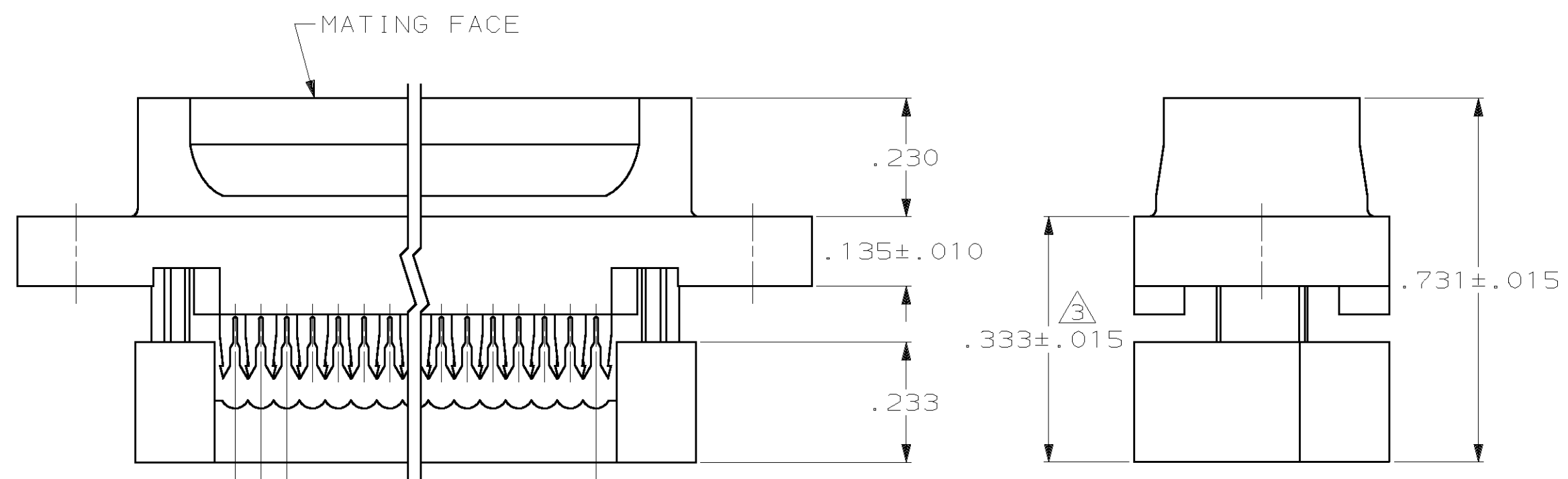
THIS DRAWING IS UNPUBLISHED. RELEASED FOR PUBLICATION .19
 BY AMP INCORPORATED. ALL RIGHTS RESERVED.

LOC	DIST	REVISIONS					
GP	00	P	LTR	DESCRIPTION	DATE	DWN	APVD
		0		RELEASED PER EC 0513-0187-03	13 JUN 03	LB	CR

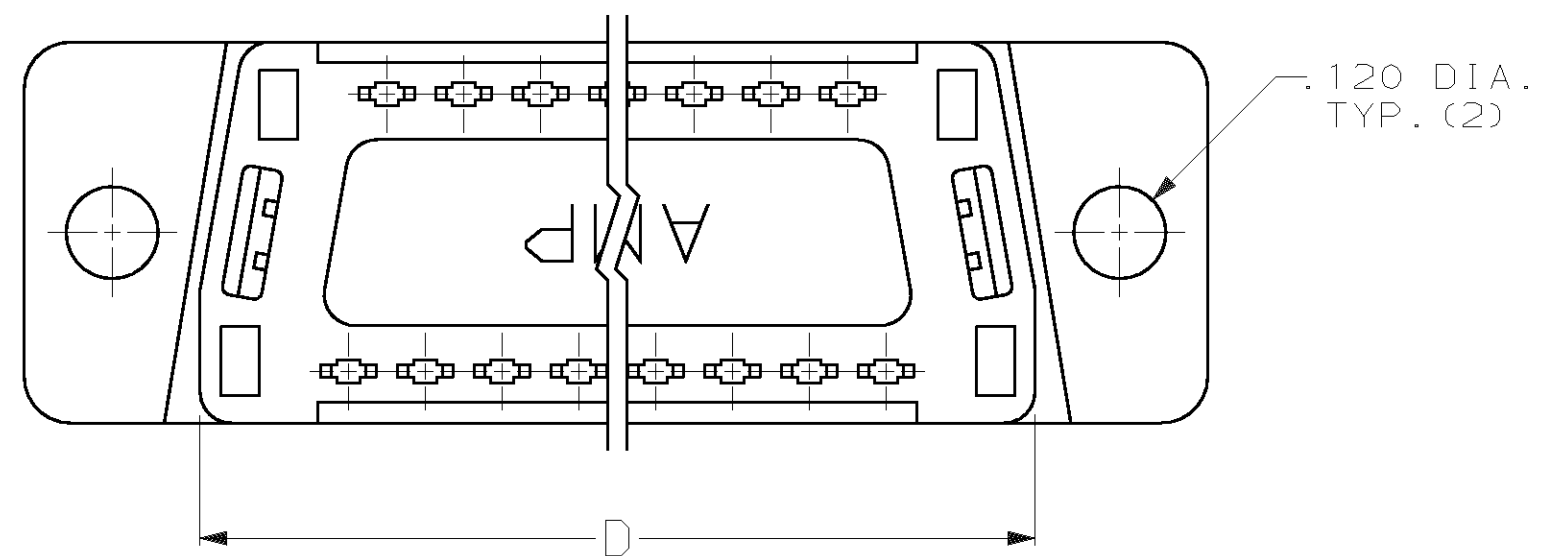


- CONNECTORS COMPLY WITH AMP SPEC. 108-40,012 AND MATE WITH ANY SAME NUMBER POSITION RECEPTACLE CONNECTOR IN AMPLIMITE SERIES.
- CONNECTOR DESIGNED FOR 28 AND 26 AWG STRANDED AND SOLID CONDUCTOR RIBBON CABLE ON $.050\phi$.
- DIMENSION APPLIES TO TERMINATED CONNECTOR.
- MOLDED PARTS: FLAME RETARDANT 94V-0 RATED THERMOPLASTIC; COLOR: BLACK.
- PHOS. BRONZE PER QQ-B-750.
- GOLD PLATING PER MIL-G-45204, BRIGHT TIN PLATING PER MIL-T-10727 NICKEL PLATING PER QQ-N-290.
- $.000030$ GOLD ON MATING END, $.000100$ -. $.000200$ BRIGHT TIN ON TERMINATION END, ALL OVER $.000050$ NICKEL ON ENTIRE CONTACT.
- DIMENSION APPLIES TO BASE OF SHROUD.

RAISED CAVITY IDENTIFICATION (15 POSITION SHOWN)



.050 REF.
 .100 REF.
 A SPACES AT .050 = B



1.216	.984	.759	.666	.400	8	9	1658615-4
1.541	1.312	1.087	.994	.700	14	15	1658615-3
2.090	1.852	1.623	1.534	1.200	24	25	1658615-2
2.732	2.500	2.275	2.183	1.800	36	37	1658615-1
F	E	D	C	B	A	NO. OF POS.	PART NUMBER

THIS DRAWING IS A CONTROLLED DOCUMENT.		DWN L. BAUM 6/13/03	AMP Incorporated Harrisburg, PA 17105-3608	
DIMENSIONS: INCH	TOLENCES UNLESS OTHERWISE SPECIFIED:	CHK C. ROHDE 6/13/03	NAME	
	0 PLC ±	APVD M. WALMSLEY 6/13/03	PRODUCT SPEC	
	1 PLC ±		APPLICATION SPEC	
	2 PLC ±		WEIGHT	
	3 PLC ±.005		CUSTOMER DRAWING	
MATERIAL MOLDED PARTS: Δ	FINISH: Δ	CONTACTS: Δ	SIZE A2	CAGE CODE 00779
CONTACTS: Δ	CONTACTS: Δ		DRAWING NO. C-1658615	RESTRICTED TO
			SCALE 4:1	SHEET 1 OF 1
				REV 0