

Distributed by:

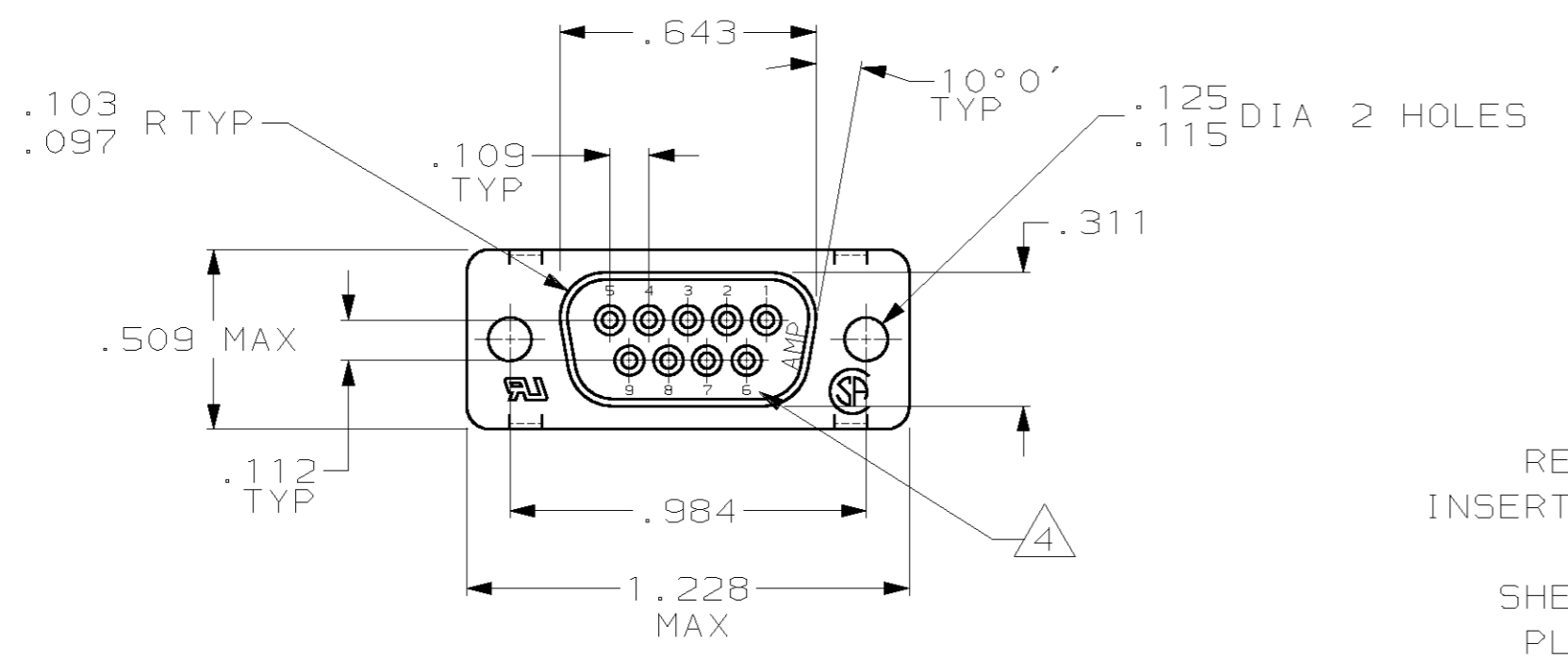
**JAMECO**<sup>®</sup>  
ELECTRONICS

**www.Jameco.com ♦ 1-800-831-4242**

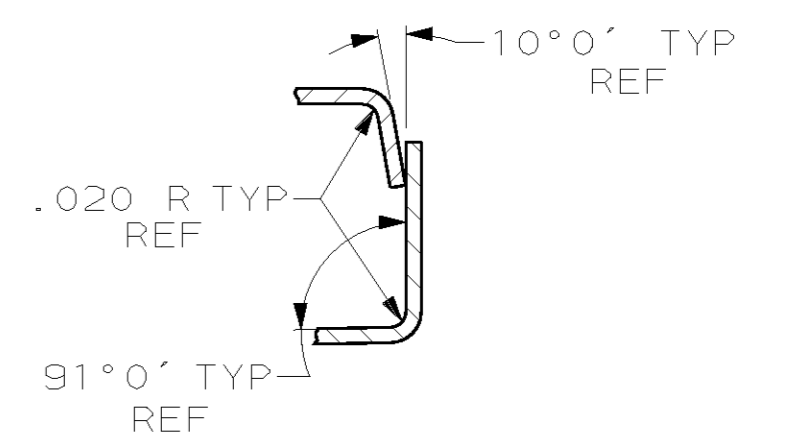
The content and copyrights of the attached  
material are the property of its owner.

Jameco Part Number 748828

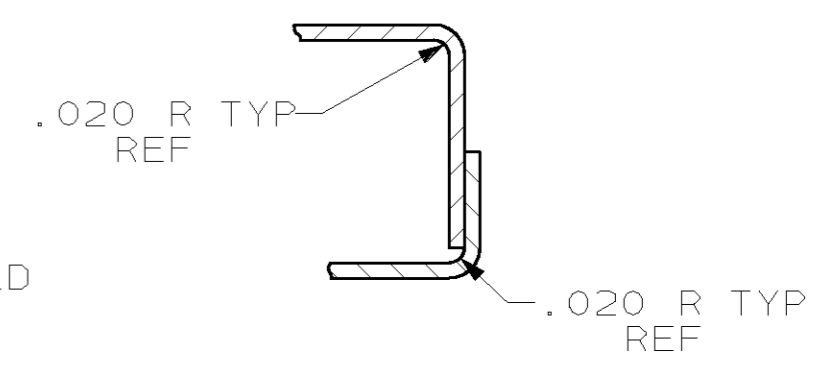
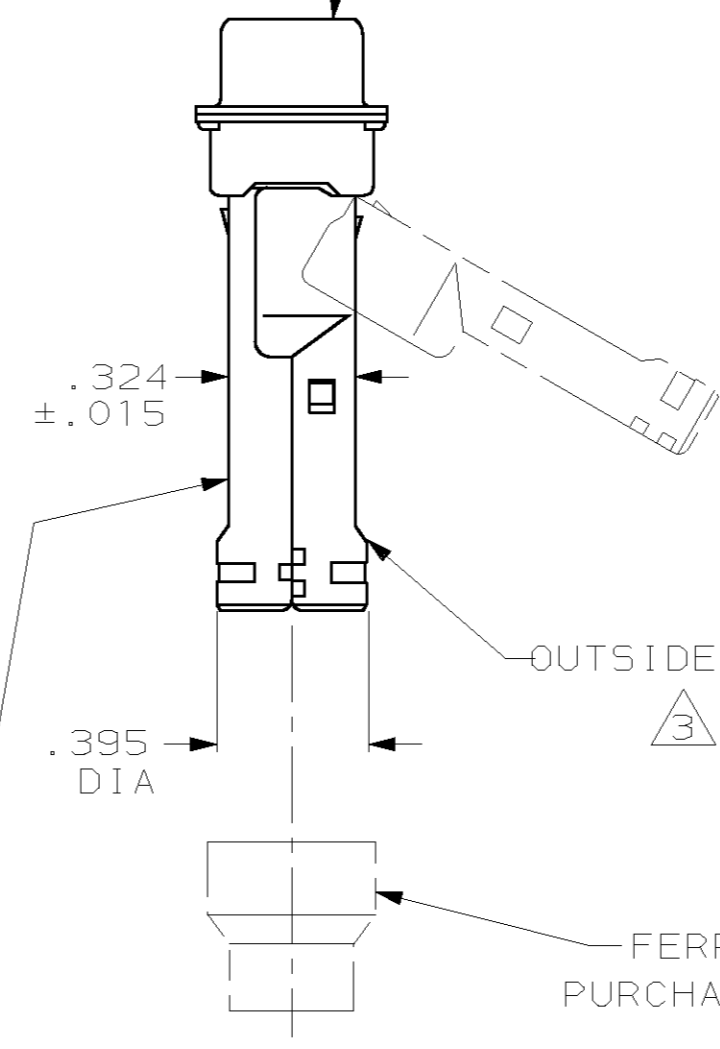
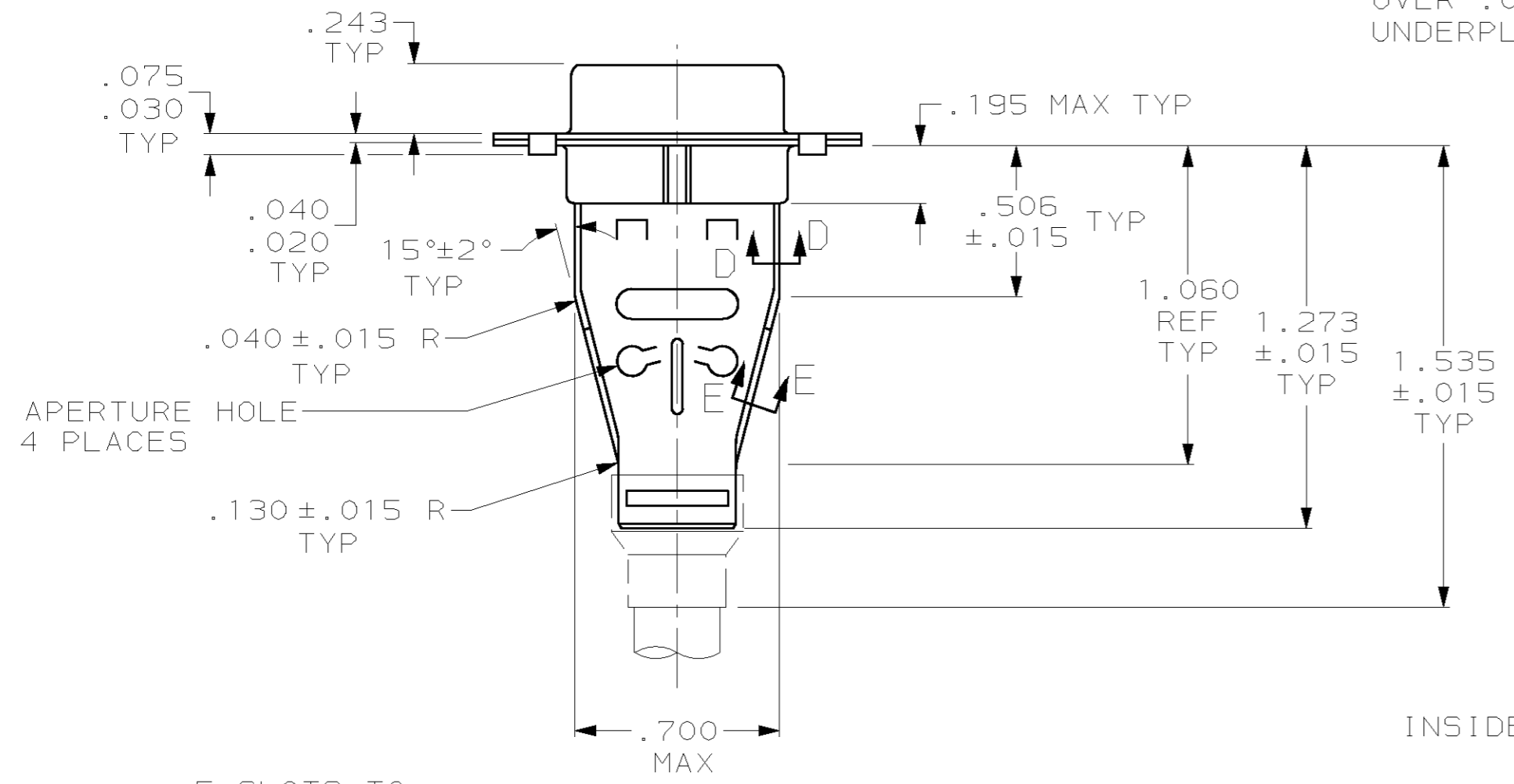
LOC	DIST	REVISIONS			
P	LTR	DESCRIPTION	DATE	DWN	APVD
GP	00	0	RELEASED PER EC 0513-0196-03	30JUL03	JR JG



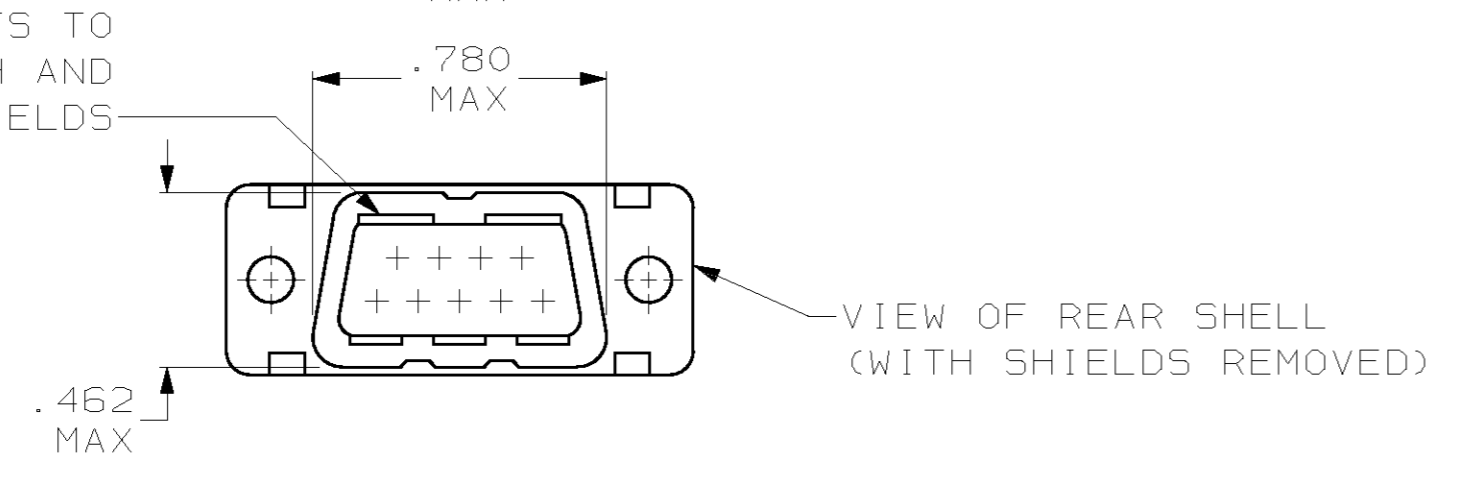
RECEPTACLE CONNECTOR  $\Delta 1$   
 INSERT: BLACK GLASS FILLED NYLON  
 94 V-0 RATED  
 SHELL: STEEL PER ASTM A109  
 PLATED, .000200 MIN TIN  
 OVER .000100 MIN COPPER  
 UNDERPLATE.



SECTION D-D  
 SCALE 4:1



SECTION E-E  
 SCALE 4:1



- $\Delta 1$  RECEPTACLE ACCEPTS SIZE 20 SOCKET CONTACTS (CONTACTS ORDERED SEPARATELY)
- 2 ALL PARTS SHIPPED UNASSEMBLED, EACH PART INDIVIDUALLY BULK PACKED.
- $\Delta 3$  SHIELDS: MATERIAL-.020 THICK STEEL, PER ASTM A109, PLATED .000200 MIN TIN OVER .000100 MIN COPPER UNDERPLATE.
- $\Delta 4$  RAISED CAVITY IDENTIFICATION AND AMP TRADEMARK.

1658646-1  
 PART NUMBER

THIS DRAWING IS A CONTROLLED DOCUMENT.		DWN	J. REITZEL	30JUL03	AMP Incorporated Harrisburg, PA 17105-3608
DIMENSIONS: INCH		CHK	S. BOLASH	30JUL03	
TOLERANCES UNLESS OTHERWISE SPECIFIED:		APVD	M. WALMSLEY	30JUL03	
0 PLC ± 1 PLC ± 2 PLC ± 3 PLC ±.005 4 PLC ± ANGLES ±0°30'		PRODUCT SPEC	108-40030		
MATERIAL SEE CALL OUT $\Delta 3$		FINISH	SEE CALL OUT $\Delta 3$		APPLICATION SPEC
		WEIGHT		-	NAME
		CUSTOMER DRAWING		SCALE	2:1
		SHEET		1 OF 1	RESTRICTED TO
		REV		0	