

Distributed by:

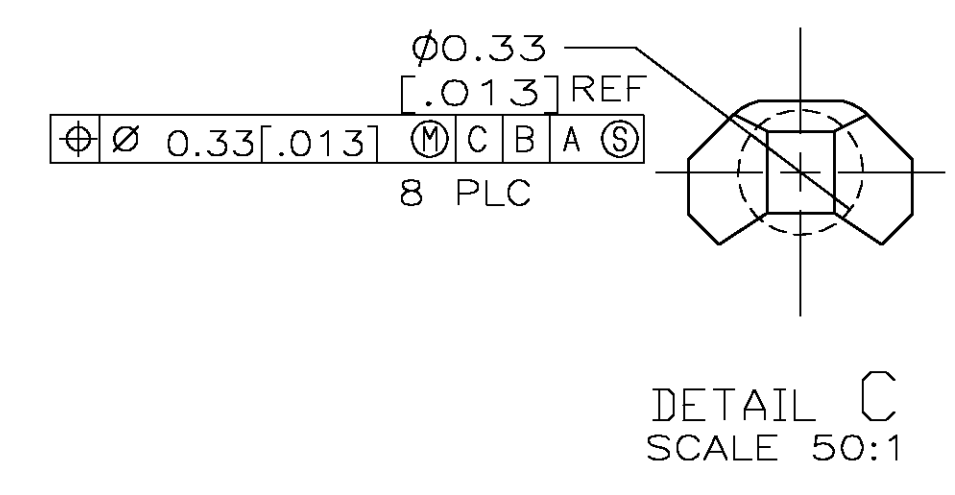
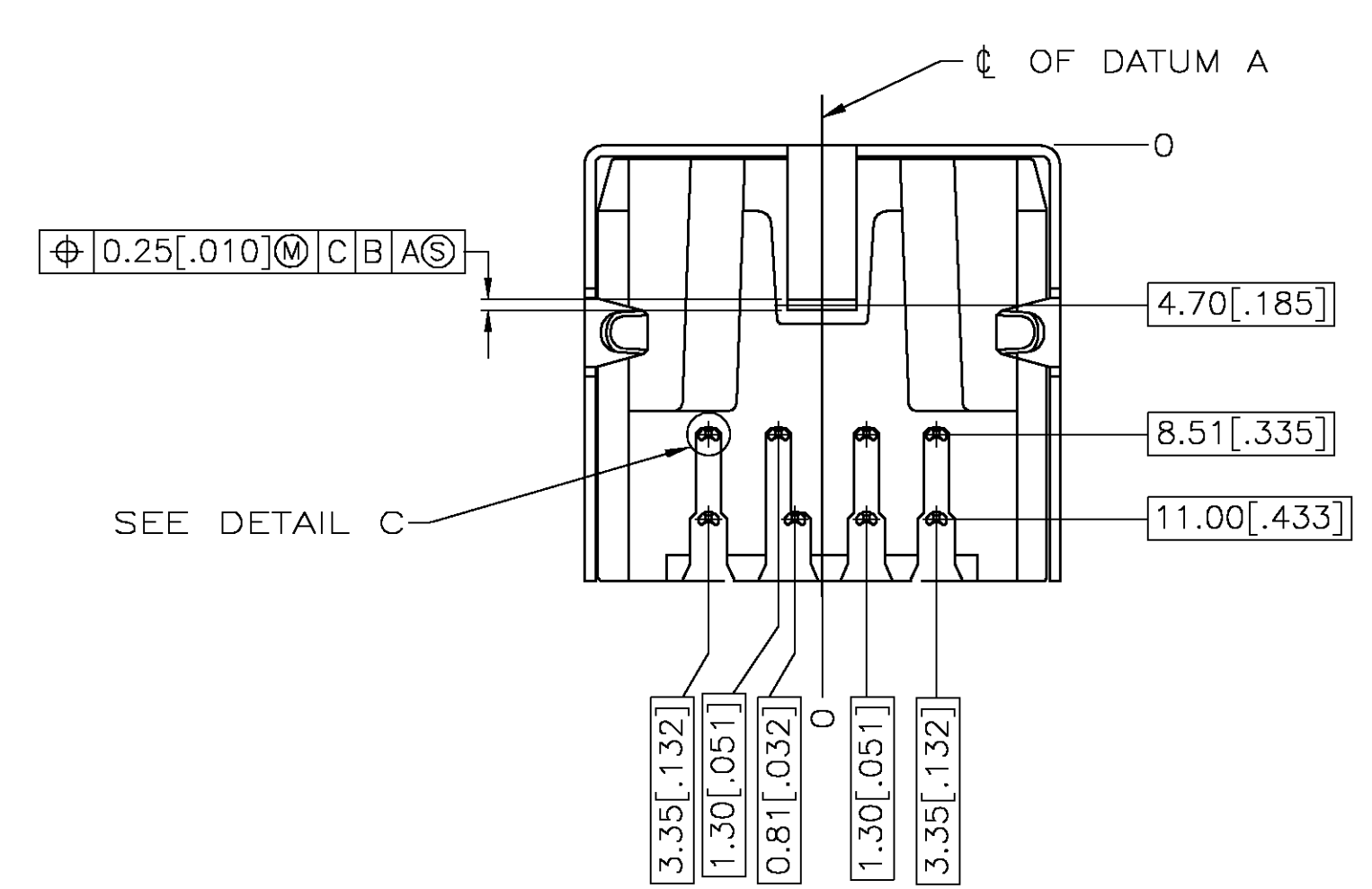
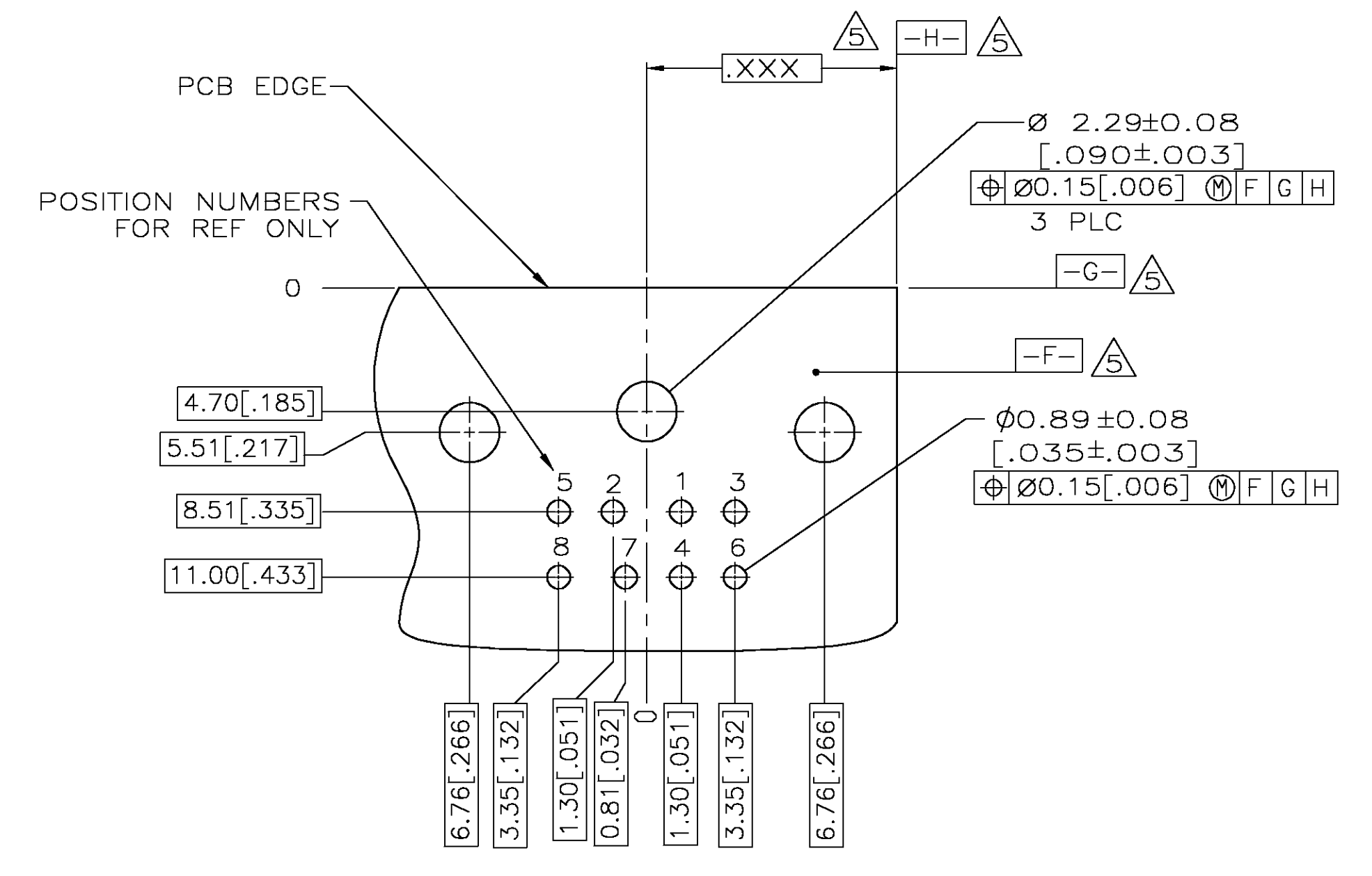
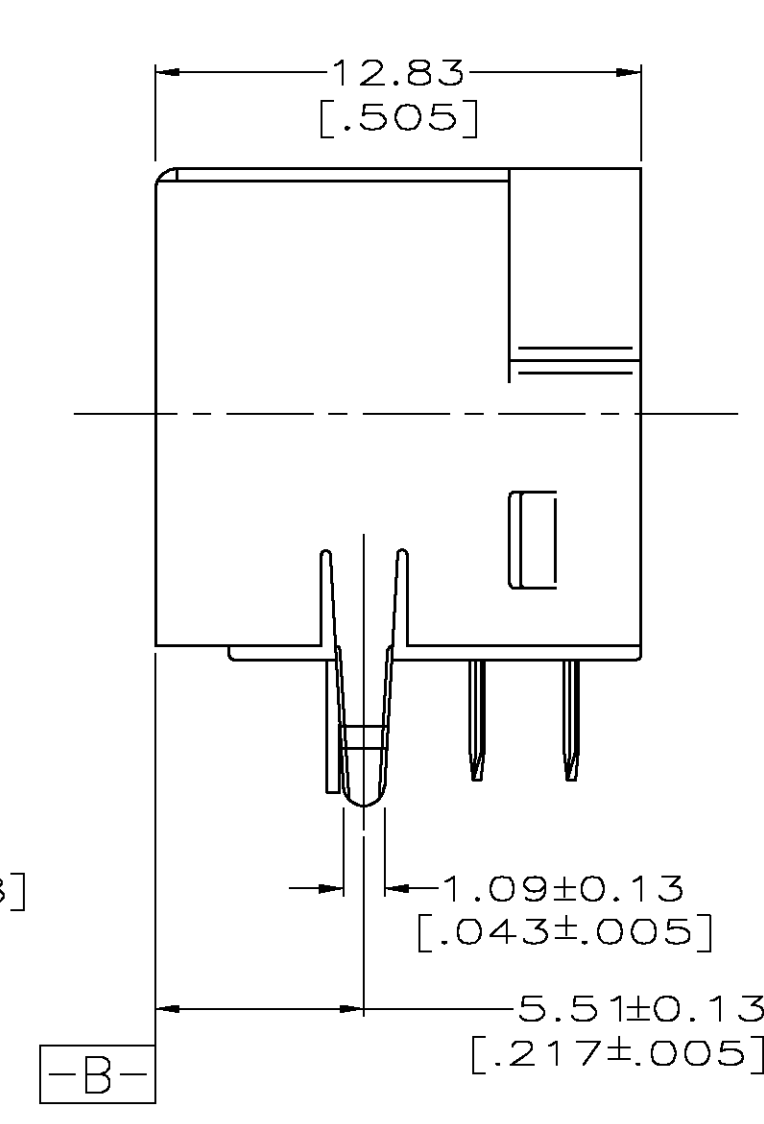
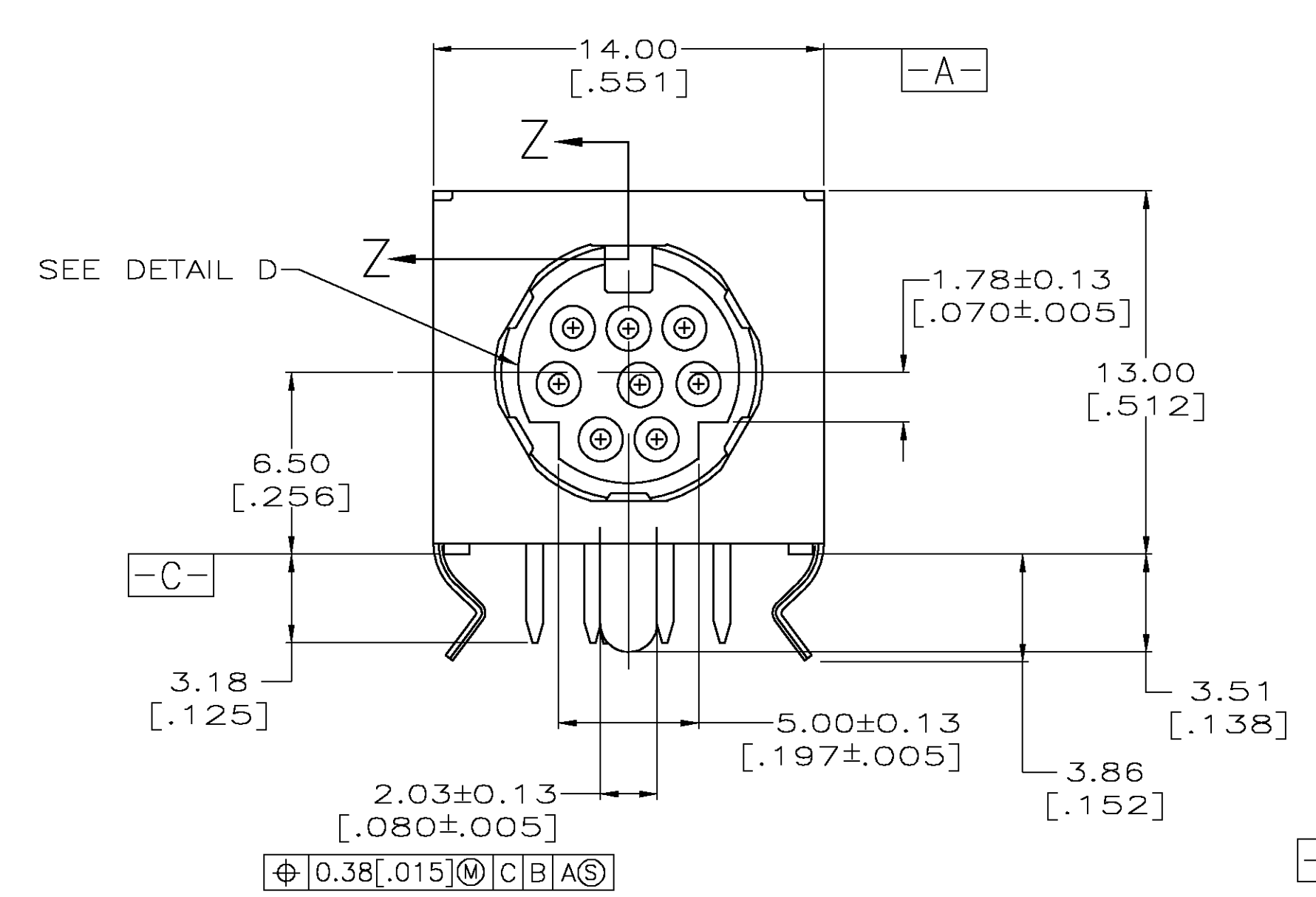
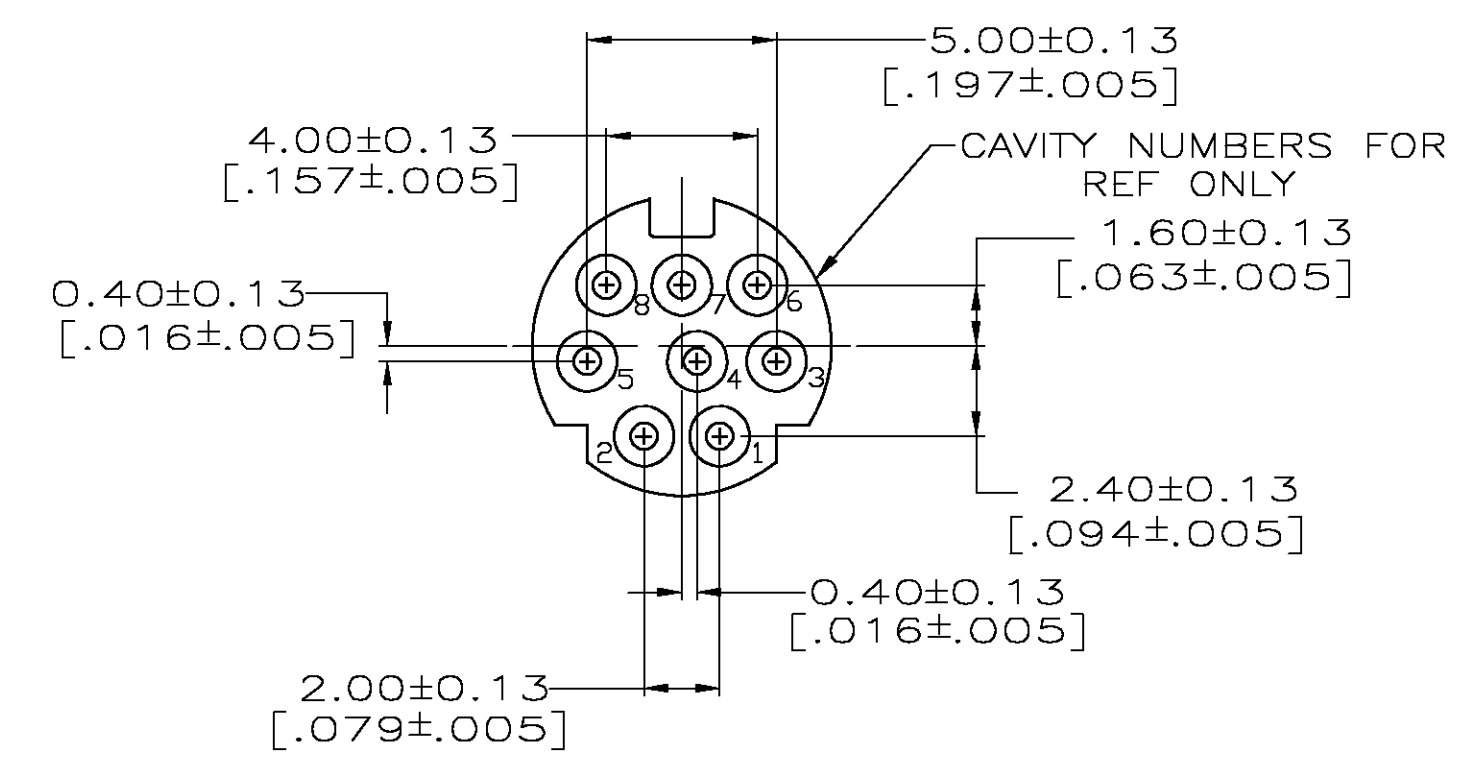
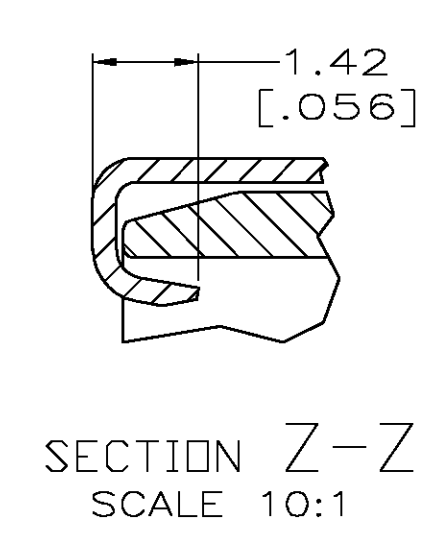
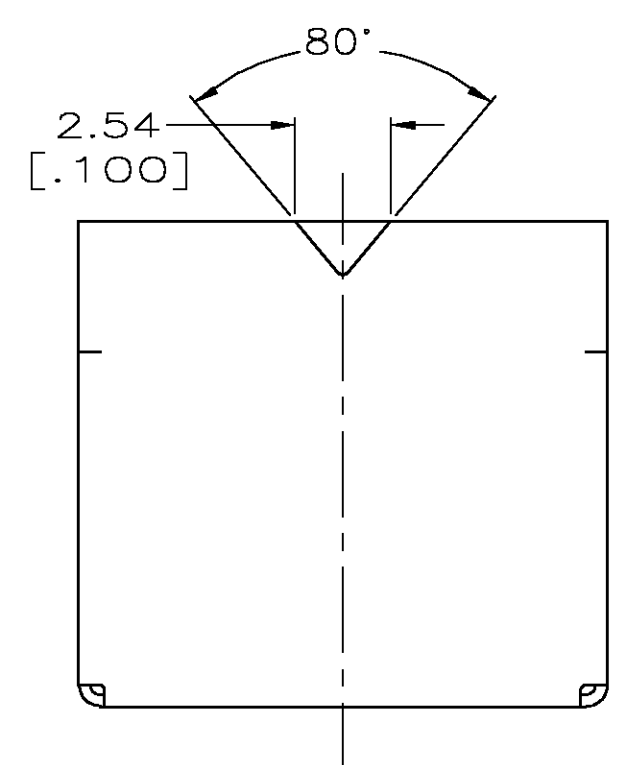
JAMECO[®]
ELECTRONICS

www.Jameco.com ♦ 1-800-831-4242

The content and copyrights of the attached
material are the property of its owner.

Jameco Part Number 748852

LOC		DIST		REVISIONS			
F	LTR	DESCRIPTION	DATE	BY	APPD		
0		RELEASED PER EC 0513-0024-04	13FEB04	BM	JG		



- △ RECEPTACLE CONTACTS: COPPER ALLOY.
RECEPTACLE SHIELD: COPPER ALLOY.
HOUSING: LCP, COLOR; BLACK, UL 94V-0 RATED.
- △ PLATING:
RECEPTACLE CONTACTS - GOLD PLATED 0.00076 [.000030] MIN
ON MATING END, TIN PLATED 0.0030 [.000120] MIN
ON SOLDER TAIL, ALL OVER 0.0013 [.000050] MIN NICKEL.
- △ PLATING:
SHIELD: 0.0015-0.004 [.000059-.000158] BRIGHT TIN.
- 4. RECEPTACLE ASSEMBLY MATES WITH 8 PIN 9.00± 0.10 [.354±.004] DIAMETER PLUG.
- △ DATUMS AND BASIC DIMENSION DETERMINED BY CUSTOMER.

1658998-1
PART NUMBER

THIS DRAWING IS A CONTROLLED DOCUMENT.		DWG B. MCMASTER	13FEB2004	 Tyco Electronics Corporation Harrisburg, Pa 17105-3608	
DIMENSIONS: mm [INCHES]		CHK C. ROHDFE	13FEB04		
TOLERANCES UNLESS OTHERWISE SPECIFIED:		APVD M. WALMSLEY	13FEB04	NAME RECEPTACLE ASSY W/HOLD DOWN, 8 POS RIGHT ANGLE, MINIATURE CIRCULAR DIN	
0 PLC ± - 1 PLC ± - 2 PLC ± - 3 PLC ± 0.38 [.015] 4 PLC ± - ANGLES ± 0.30°		PRODUCT SPEC 108-1225			
MATERIAL	FINISH	SIZE	CAGE CODE	DRAWING NO	RESTRICTED TO
1	2 3	A1	00779	1658998	-
CUSTOMER DRAWING		SCALE	5:1	SHEET	1 OF 1
		REV	0		