

Distributed by:

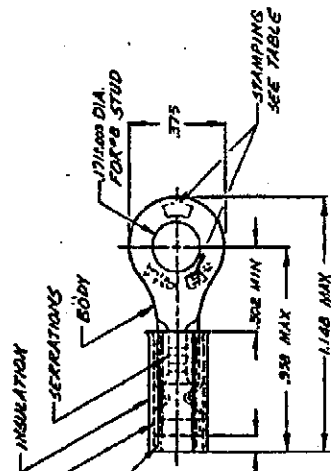
JAMECO[®]
ELECTRONICS

www.Jameco.com ♦ 1-800-831-4242

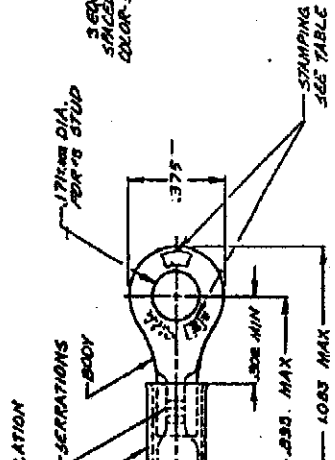
The content and copyrights of the attached
material are the property of its owner.

Jameco Part Number 749353

REV	DATE	DESCRIPTION	APPROVED
1	11/16/58	REVISED DRAWING PER G-1483	W. G. D.
2	11/16/58	F 185-0312 WAS SIZE B	W. G. D.
3	11/16/58	N 031212 WAS SIZE B	W. G. D.
4	11/16/58	REVISED DRAWING PER G-1483	W. G. D.
5	11/16/58	REVISED DRAWING PER G-1483	W. G. D.
6	11/16/58	REVISED DRAWING PER G-1483	W. G. D.
7	11/16/58	REVISED DRAWING PER G-1483	W. G. D.
8	11/16/58	REVISED DRAWING PER G-1483	W. G. D.
9	11/16/58	REVISED DRAWING PER G-1483	W. G. D.
10	11/16/58	REVISED DRAWING PER G-1483	W. G. D.
11	11/16/58	REVISED DRAWING PER G-1483	W. G. D.
12	11/16/58	REVISED DRAWING PER G-1483	W. G. D.
13	11/16/58	REVISED DRAWING PER G-1483	W. G. D.
14	11/16/58	REVISED DRAWING PER G-1483	W. G. D.



STYLE B
INSULATION RESTRICTING



STYLE A

- 1 TONGUE MATERIAL THK. = .040 ± .002
- △ TIN PL. MIL-T-10767
- △ MICALC PL QQ-N-290
- △ SUPERSEDED BY 2-320568-2
- △ SUPERSEDED BY 2-320568-3

AWING MADE IN THIRD ANGLE PROJECTION
 THIS DRAWING IS UNPUBLISHED. RELEASED FOR PUBLICATION
 BY AMP INCORPORATED, HARRISBURG, PA. ALL INTERNATIONAL RIGHTS
 RESERVED. AMP PRODUCTS MAY BE COVERED BY U.S. AND FOREIGN PATENTS AND/OR PATENT PENDING.

REV	DATE	DESCRIPTION	APPROVED
1	11/16/58	REVISED DRAWING PER G-1483	W. G. D.
2	11/16/58	F 185-0312 WAS SIZE B	W. G. D.
3	11/16/58	N 031212 WAS SIZE B	W. G. D.
4	11/16/58	REVISED DRAWING PER G-1483	W. G. D.
5	11/16/58	REVISED DRAWING PER G-1483	W. G. D.
6	11/16/58	REVISED DRAWING PER G-1483	W. G. D.
7	11/16/58	REVISED DRAWING PER G-1483	W. G. D.
8	11/16/58	REVISED DRAWING PER G-1483	W. G. D.
9	11/16/58	REVISED DRAWING PER G-1483	W. G. D.
10	11/16/58	REVISED DRAWING PER G-1483	W. G. D.
11	11/16/58	REVISED DRAWING PER G-1483	W. G. D.
12	11/16/58	REVISED DRAWING PER G-1483	W. G. D.
13	11/16/58	REVISED DRAWING PER G-1483	W. G. D.
14	11/16/58	REVISED DRAWING PER G-1483	W. G. D.

9-320568-2	10	11-200	BROWN
9-320568-2	12	045-200	YELLOW
2-320568-2	10	150-230	BROWN
2-320568-2	12	150-230	YELLOW
2-320568-2	10	119-200	BROWN
2-320568-2	12	099-200	YELLOW
2-320568-1	10	150-230	BROWN
2-320568-1	12	150-230	YELLOW
2-320568-1	10	150-230	BROWN
2-320568-1	12	150-230	YELLOW

CONTRACT NO	AMP
DR	AMP
APP'D	AMP
DATE	11-16-58
SCALE	N.T.S.
SIZE	C
DRAWING NO	00779
TERMINAL, PIDG., RING	
PART NO	320568
DESCRIPTION	AMP INCORPORATED HARRISBURG, PA. 17105
OTHER APP'D	

AMP 1011-3