

Distributed by:

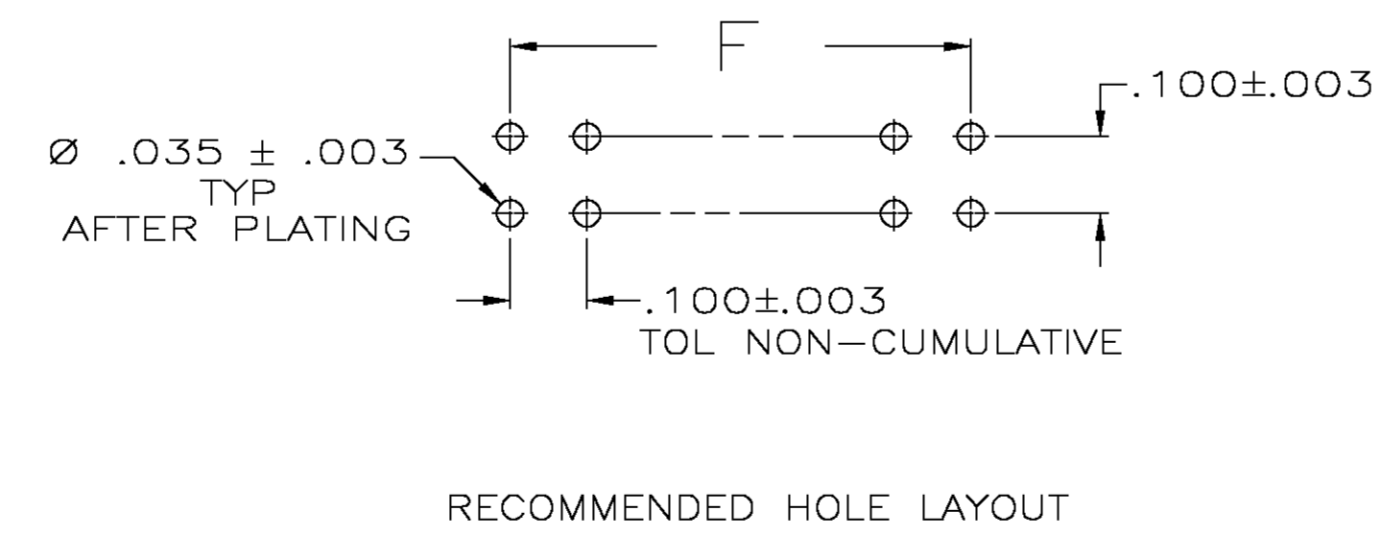
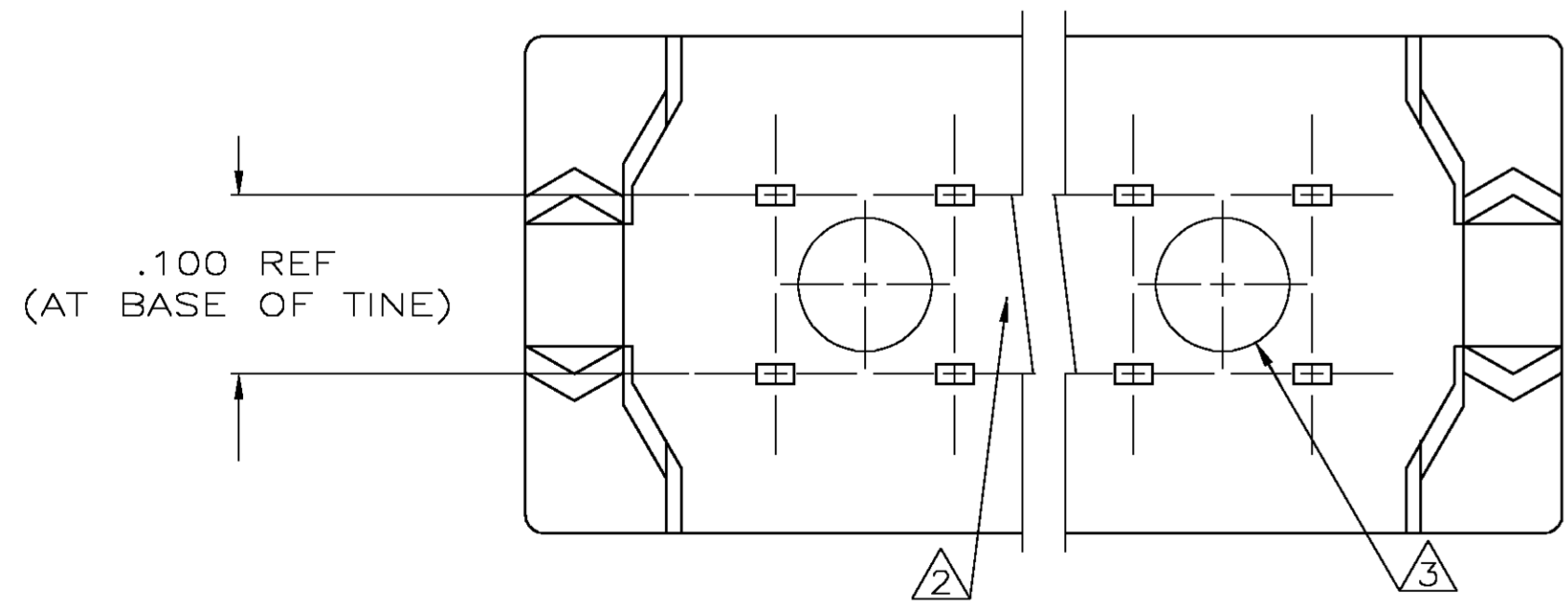
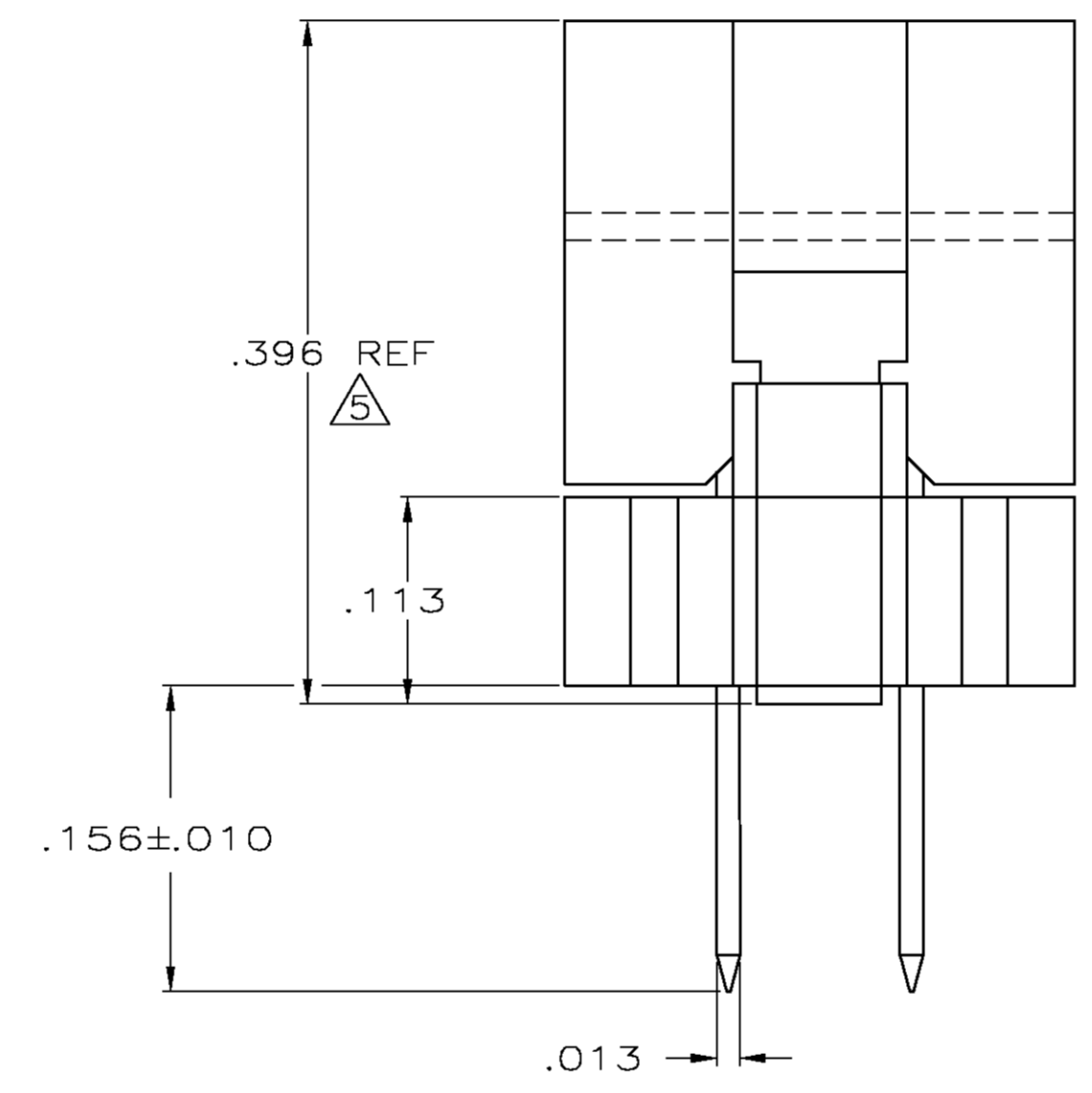
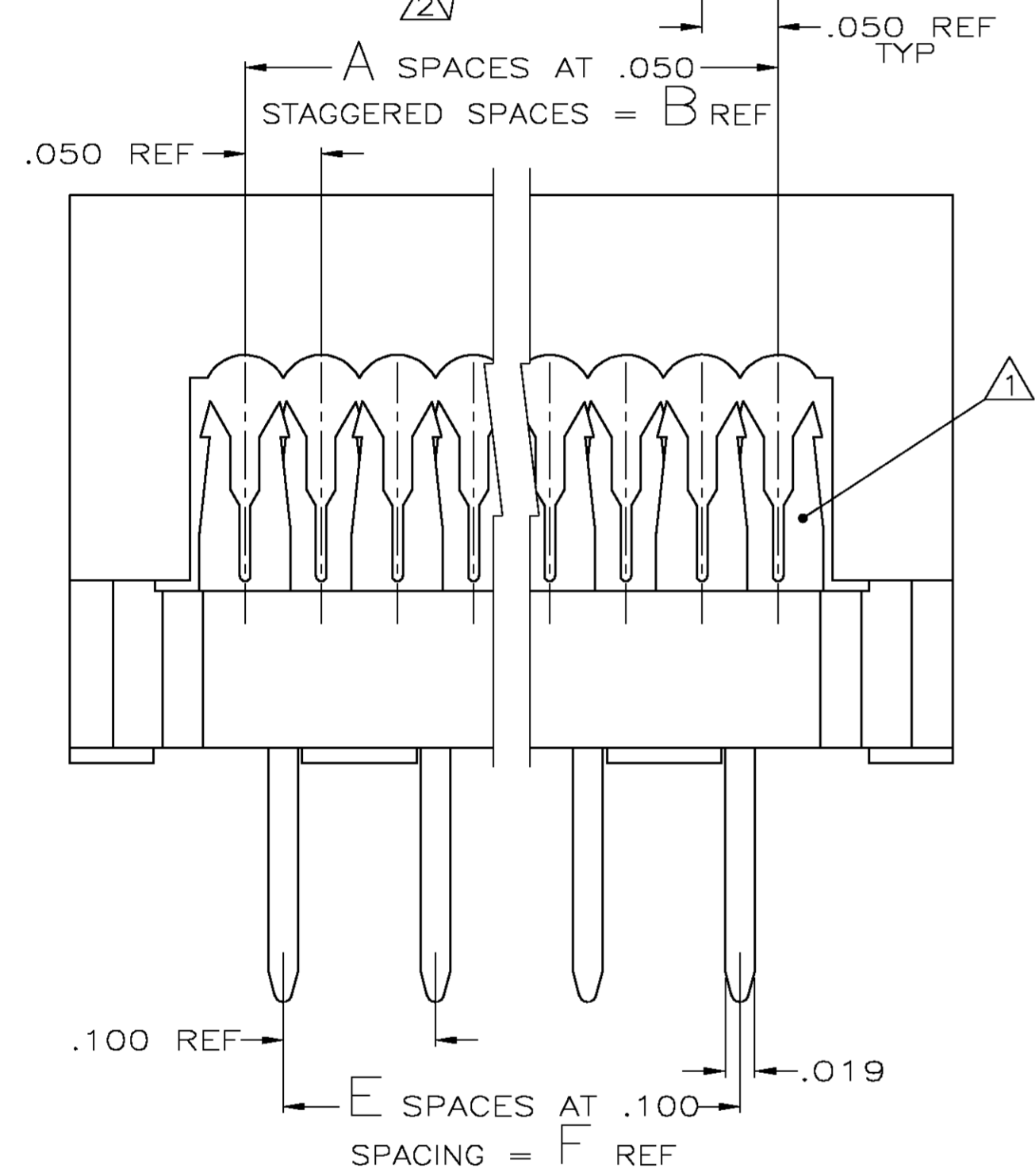
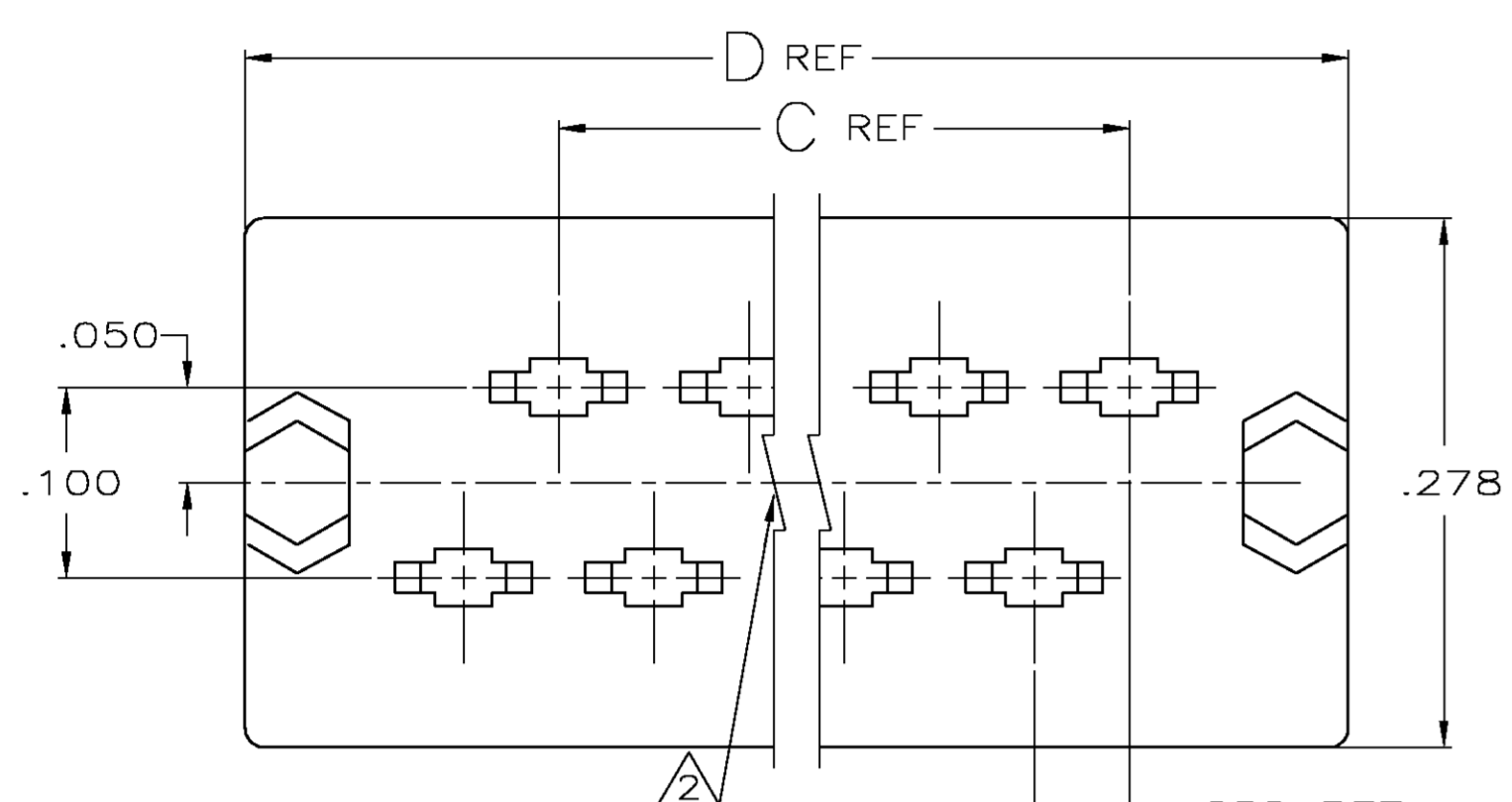
**JAMECO**<sup>®</sup>  
ELECTRONICS

**www.Jameco.com ♦ 1-800-831-4242**

The content and copyrights of the attached  
material are the property of its owner.

Jameco Part Number 749599

- △ CONTACTS DESIGNED FOR 28 AWG STRANDED OR 26, 28, & 30 AWG SOLID WIRE.
- △ AMP TRADEMARK LOCATED IN APPROX AREA SHOWN.
- △ STANDOFFS: POS 10 (2) STANDOFFS AS SHOWN.  
 14-16 (3) STANDOFFS, (1) CENTERED BETWEEN (2) SHOWN  
 20-26 (4) (2)  
 30 (5) (3)  
 34 (6) (4)  
 40-44 (7) (5)  
 50 (8) (6)  
 60 (9) (7)  
 64 (10) (8)
- △ .000100-.000200 BRIGHT TIN LEAD, ALL OVER .000050 NICKEL.
- △ HEIGHT AFTER TERMINATION IS .253 REF.
- △ .000100-.000200 MATTE TIN, ALL OVER .000050 NICKEL.
- △ MOLDED PARTS, 94V-0 RATED THERMOPLASTIC, COLOR: BLACK. CONTACTS: PHOS BRONZE.



CONTACT FINISH	F	E	D	C	B	A	NO OF POSN	PART NO
△	2.100	21	2.380	2.100	2.150	43	44	2-746610-6
△	3.100	31	3.380	3.100	3.150	63	64	2-4
△	2.900	29	3.180	2.900	2.950	59	60	2-4
△	1.100	11	1.380	1.100	1.150	23	24	2-3
△	.600	6	.880	.600	.650	13	14	2-2
△	.400	4	.680	.400	.450	9	10	2-1
△	2.400	24	2.680	2.400	2.450	49	50	2-0
△	1.900	19	2.180	1.900	1.950	39	40	1-9
△	1.600	16	1.880	1.600	1.650	33	34	1-8
△	1.400	14	1.680	1.400	1.450	29	30	1-7
△	1.200	12	1.480	1.200	1.250	25	26	1-6
△	.900	9	1.180	.900	.950	19	20	1-5
△	.700	7	.980	.700	.750	15	16	1-4
△	2.100	21	2.380	2.100	2.150	43	44	1-3
△	3.100	31	3.380	3.100	3.150	63	64	1-2
△	2.900	29	3.180	2.900	2.950	59	60	1-1
△	2.400	24	2.680	2.400	2.450	49	50	1-0
△	1.900	19	2.180	1.900	1.950	39	40	1-9
△	1.600	16	1.880	1.600	1.650	33	34	1-8
△	1.400	14	1.680	1.400	1.450	29	30	1-7
△	1.200	12	1.480	1.200	1.250	25	26	1-6
△	1.100	11	1.380	1.100	1.150	23	24	1-5
△	.900	9	1.180	.900	.950	19	20	1-4
△	.700	7	.980	.700	.750	15	16	1-3
△	.600	6	.880	.600	.650	13	14	1-2
△	.400	4	.680	.400	.450	9	10	746610-1

THIS DRAWING IS A CONTROLLED DOCUMENT.

DIMENSIONS: INCHES	TOLERANCES UNLESS OTHERWISE SPECIFIED:	DIN L VARELA - DOCKS 11-29-04	11-29-04	11-29-04	11-29-04	11-29-04	11-29-04	11-29-04
0 PL ± -	1 PL ± -	2 PL ± -	3 PL ± -	4 PL ± -	ANGLES ± -	CONTACTS: SEE TABLE		
MATERIAL	FINISH	WEIGHT	SCALE	NTS	SHEET	1 OF 1	REV	F

Tyco Electronics Corporation  
 Harrisburg, PA 17105-3608  
 Kit, AMP-LATCH DIP PLUG, PREASSEMBLED, .100 X .100 CENTERS, FULL TIN PLATED CONTACTS  
 KIT, AMP-LATCH DIP PLUG, PREASSEMBLED, .100 X .100 CENTERS, FULL TIN PLATED CONTACTS  
 A1 00779 © = 746610  
 CUSTOMER DRAWING SCALE NTS SHEET 1 OF 1 REV F