

Distributed by:

**JAMECO**<sup>®</sup>  
ELECTRONICS

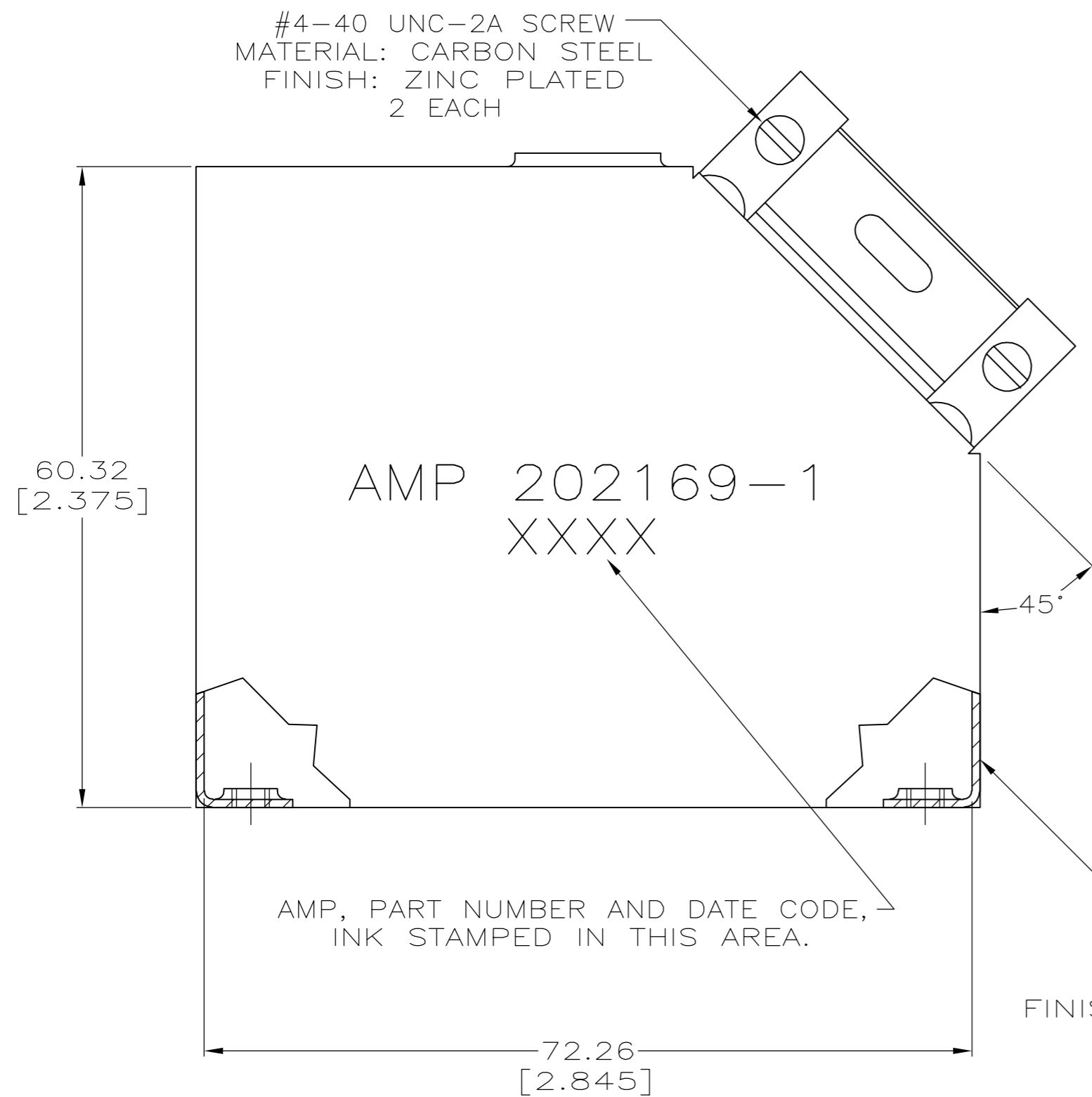
**www.Jameco.com ♦ 1-800-831-4242**

The content and copyrights of the attached  
material are the property of its owner.

Jameco Part Number 749708

THIS DRAWING IS UNPUBLISHED. RELEASED FOR PUBLICATION  
 © COPYRIGHT BY TYCO ELECTRONICS CORPORATION. ALL RIGHTS RESERVED.

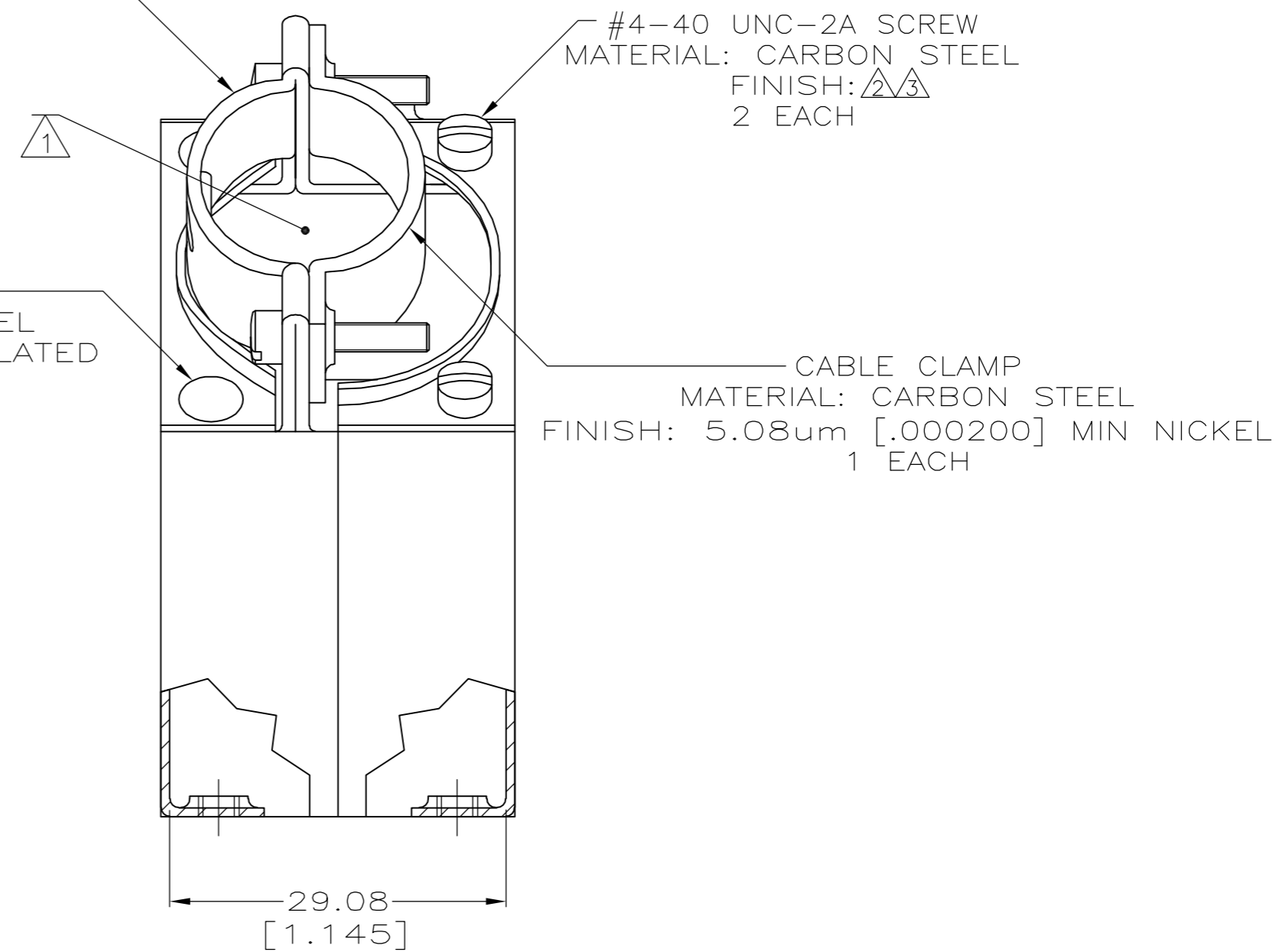
LOC	DIST	REVISIONS			
P	LTR	DESCRIPTION	DATE	DWN	APVD
FT	0				
	K1	REVISED PER ECO-06-9862	4/26/06	SS	GS



FIXED CABLE CLAMP  
 MATERIAL: STAINLESS STEEL  
 1 EACH

RIVET  
 MATERIAL: STEEL  
 FINISH: NICKEL PLATED  
 2 EACH

SHIELDS  
 MATERIAL: CARBON STEEL  
 FINISH: 5.08um [.000200] MIN NICKEL  
 2 EACH



$\Delta 3$	202169-4
$\Delta 2$	202169-1
SCREW FINISH	PART NUMBER

- $\Delta 1$  ACCOMMODATES 22.86-25.40 [.900-1.000] DIAMETER CABLE.
- $\Delta 2$  FINISH: ZINC WITH HEXAVALENT CHROMATE.
- $\Delta 3$  FINISH: ZINC WITH NON-HEXAVALENT CHROMATE.

THIS DRAWING IS A CONTROLLED DOCUMENT.		DWN D.HARDY 10-25-94	Tyco Electronics Corporation Harrisburg, PA 17105-3608	
DIMENSIONS: INCHES		CHK R.STONE 10-27-94	NAME	
TOLERANCES UNLESS OTHERWISE SPECIFIED:		APVD -	PRODUCT SPEC	
0 PLC ± -		APPLICATION SPEC	SHIELD KIT, UNASSEMBLED, 104 POSITION, M SERIES	
1 PLC ± -		WEIGHT	SIZE A2	CAGE CODE 00779
2 PLC ± 0.38 [.015]		CUSTOMER DRAWING	DRAWING NO C=202169	RESTRICTED TO
3 PLC ± -		SCALE 2:1	SHEET 1 of 1	REV K1
4 PLC ± -				
ANGLES ± -				
FINISH SEE CALLOUTS				