

Distributed by:

JAMECO[®]
ELECTRONICS

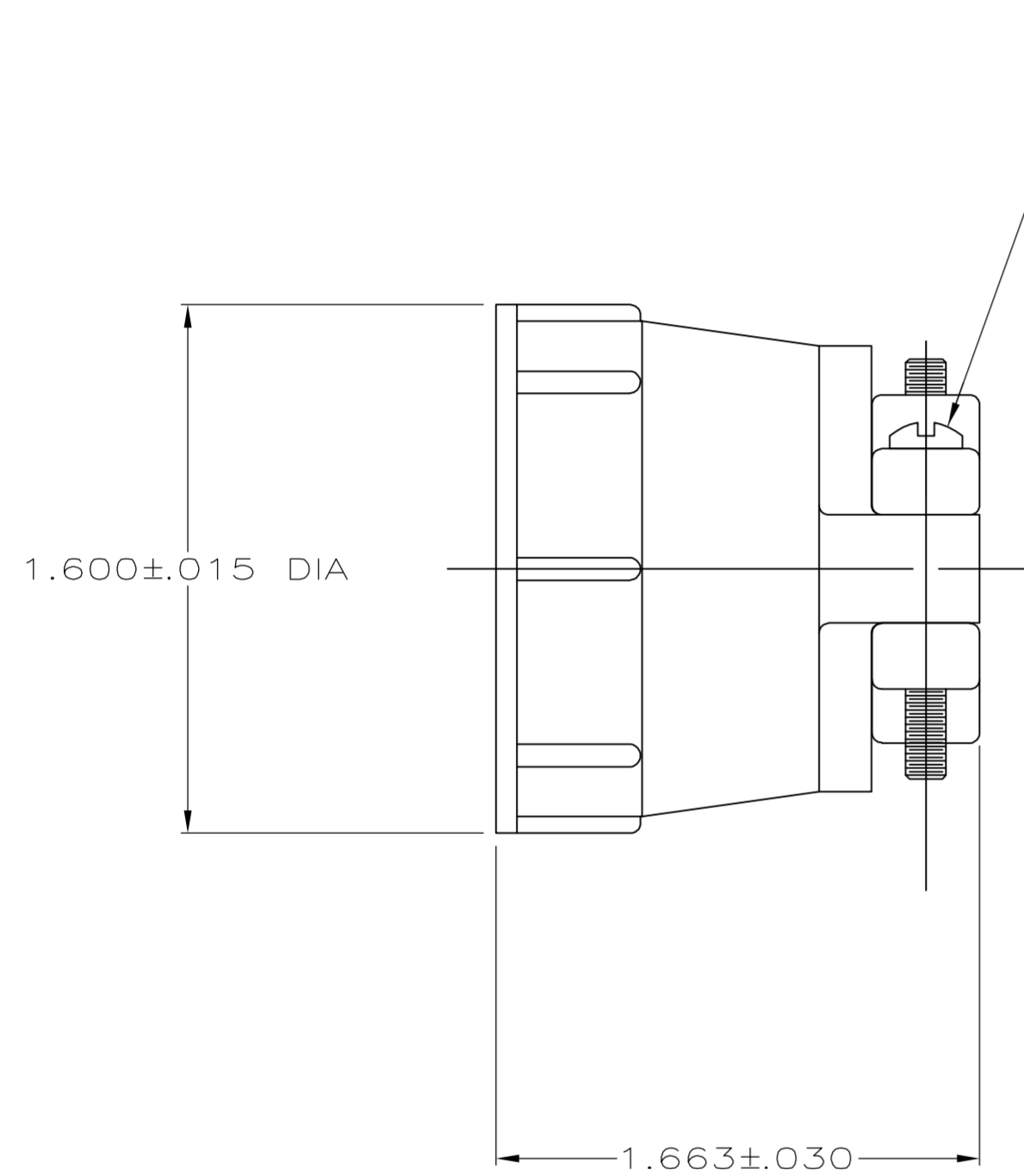
www.Jameco.com ♦ 1-800-831-4242

The content and copyrights of the attached
material are the property of its owner.

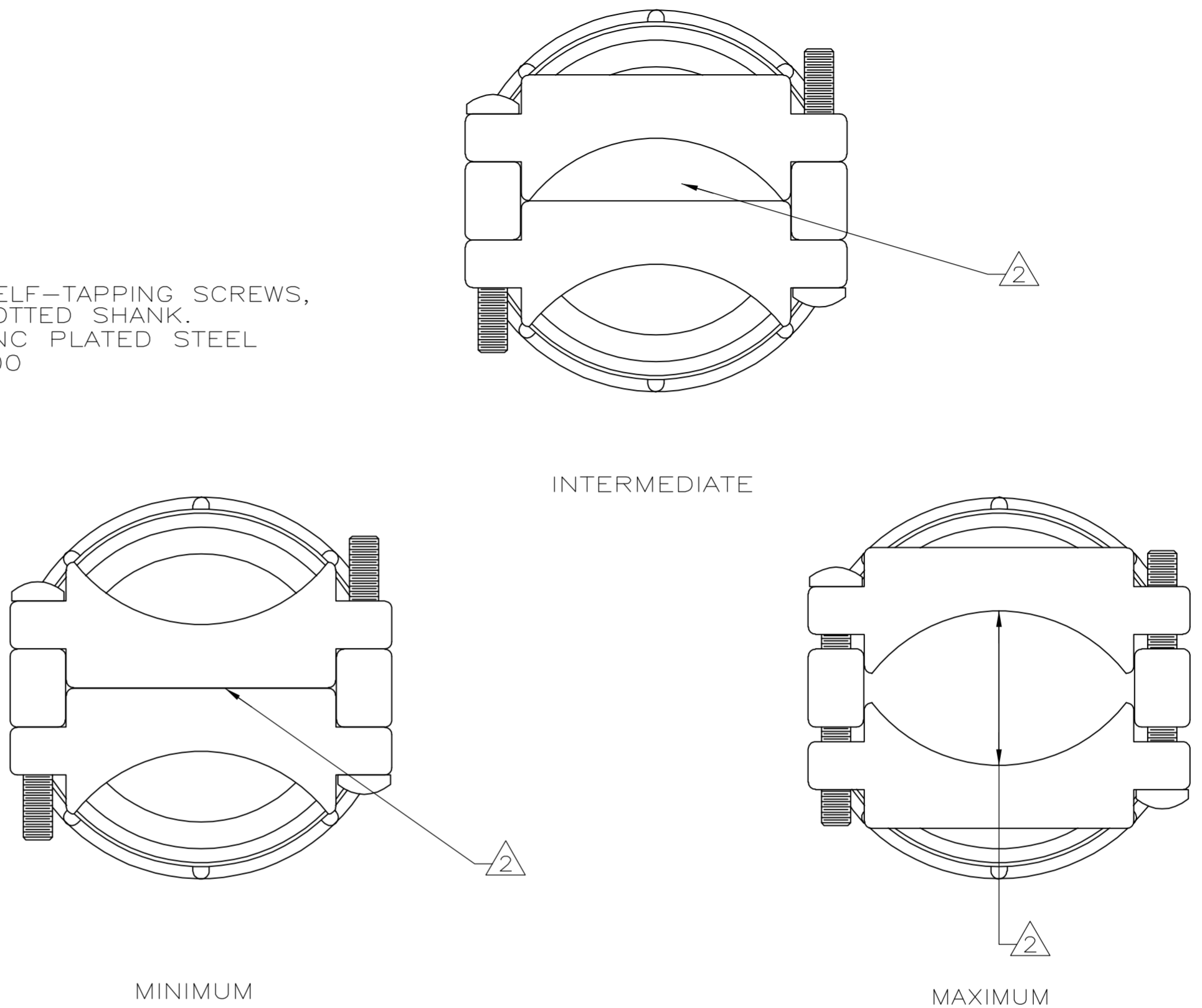
Jameco Part Number 750119

THIS DRAWING IS UNPUBLISHED. RELEASED FOR PUBLICATION
 © COPYRIGHT BY TYCO ELECTRONICS CORPORATION. ALL RIGHTS RESERVED.

LOC	DIST	REVISIONS			
P	LTR	DESCRIPTION	DATE	DWN	APVD
BD	0				
		D	REVISED PER ECO-06-2610	2/16/06	SS SH



(2) #5-20 SELF-TAPPING SCREWS,
 SOLID OR SLOTTED SHANK.
 MATERIAL: ZINC PLATED STEEL
 LENGTH: 1.000



1. PARTS PACKAGED UNASSEMBLED.

2 CABLE CLAMPING AREA ADJUSTABLE FROM .000 TO .652 SQ IN, MAX CABLE DIA = 1.125 INCHES. TWO CLAMPING INSERTS SUPPLIED WITH ASSEMBLY, CLAMPING SREA DETERMINED BY POSITION OF INSERTS AS SHOWN AT RIGHT.

3 BULK PACKAGED KITS TO BE ORDERED IN MULTIPLES OF 250 ONLY.

4 SCREWS HEXAVALENT CHROMATE COATED.

5 SCREWS NON-HEXAVALENT CHROMATE COATED.

5	3	BULK	207774-4
5		INDIVIDUAL	207774-3
4	3	BULK	207774-2
4		INDIVIDUAL	207774-1

PACKAGING	PART NUMBER

THIS DRAWING IS A CONTROLLED DOCUMENT.		DWN	A.STAUB_BG	4-3-91	Tyco Electronics Corporation	
DIMENSIONS: INCHES		CHK	W.G.LENKER	7-23-92	Harrisburg, PA 17105-3608	
TOLERANCES UNLESS OTHERWISE SPECIFIED:		APVD	-	-	CABLE CLAMP KIT, SELF CENTERING, SHELL SIZE 23, CPC	
0 PLC ± -		PRODUCT SPEC	108-10024	-		
1 PLC ± -		APPLICATION SPEC	-	SIZE	CAGE CODE	DRAWING NO
2 PLC ± -		WEIGHT	-	A2	00779	C=207774
3 PLC ± -		CUSTOMER DRAWING		SCALE	SHEET	REV
4 PLC ± -				2:1	1 of 1	D
ANGLES ± -						
FINISH -						