

Distributed by:

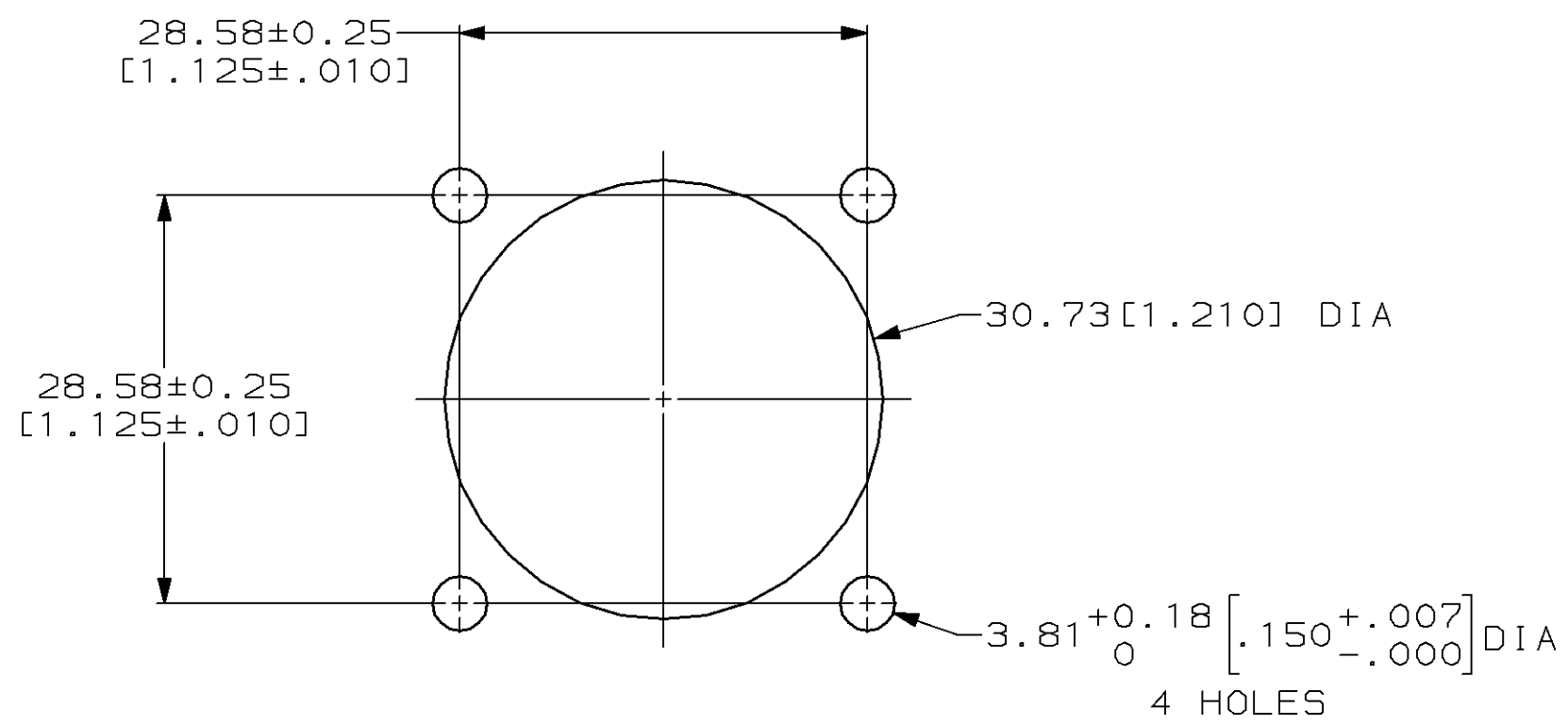
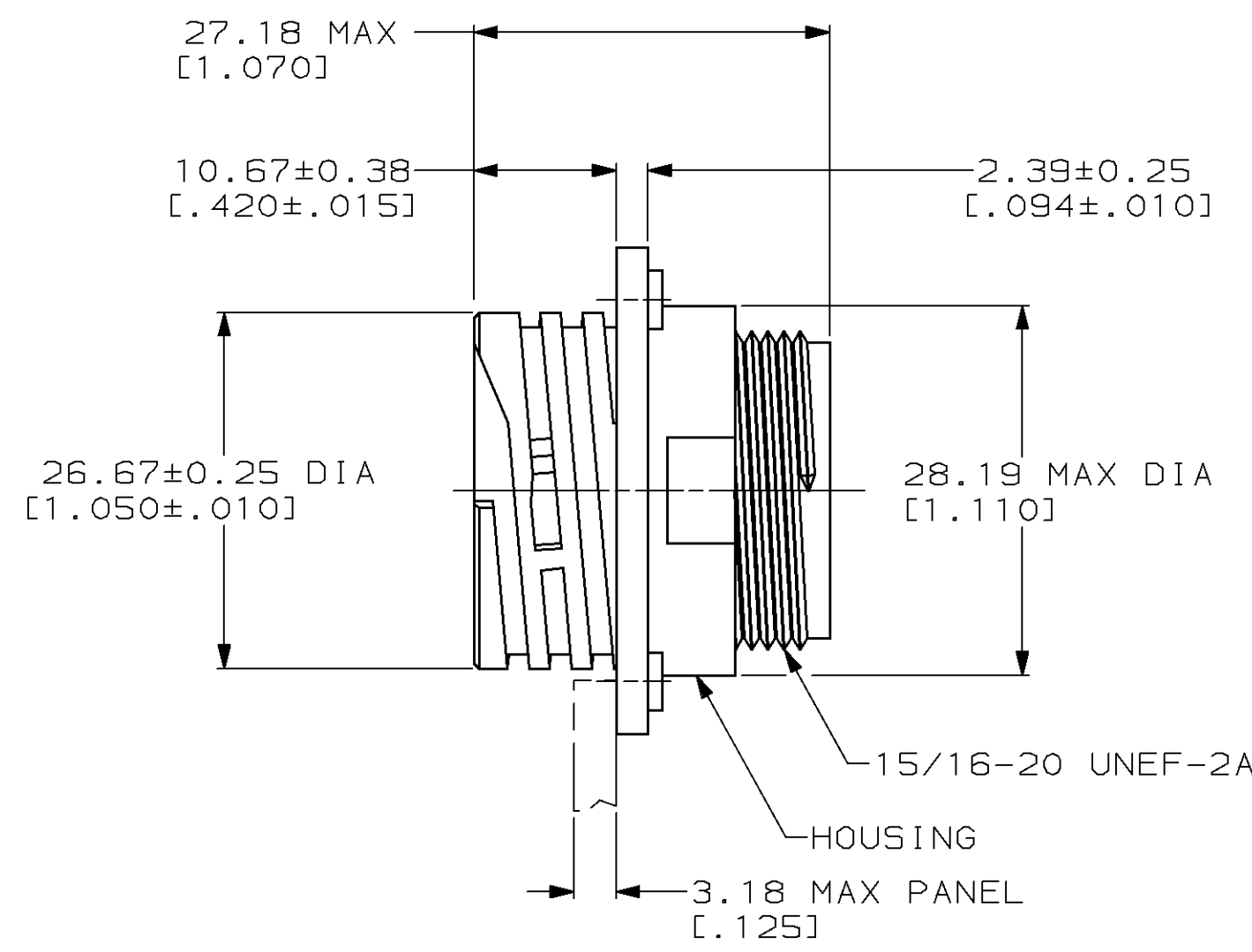
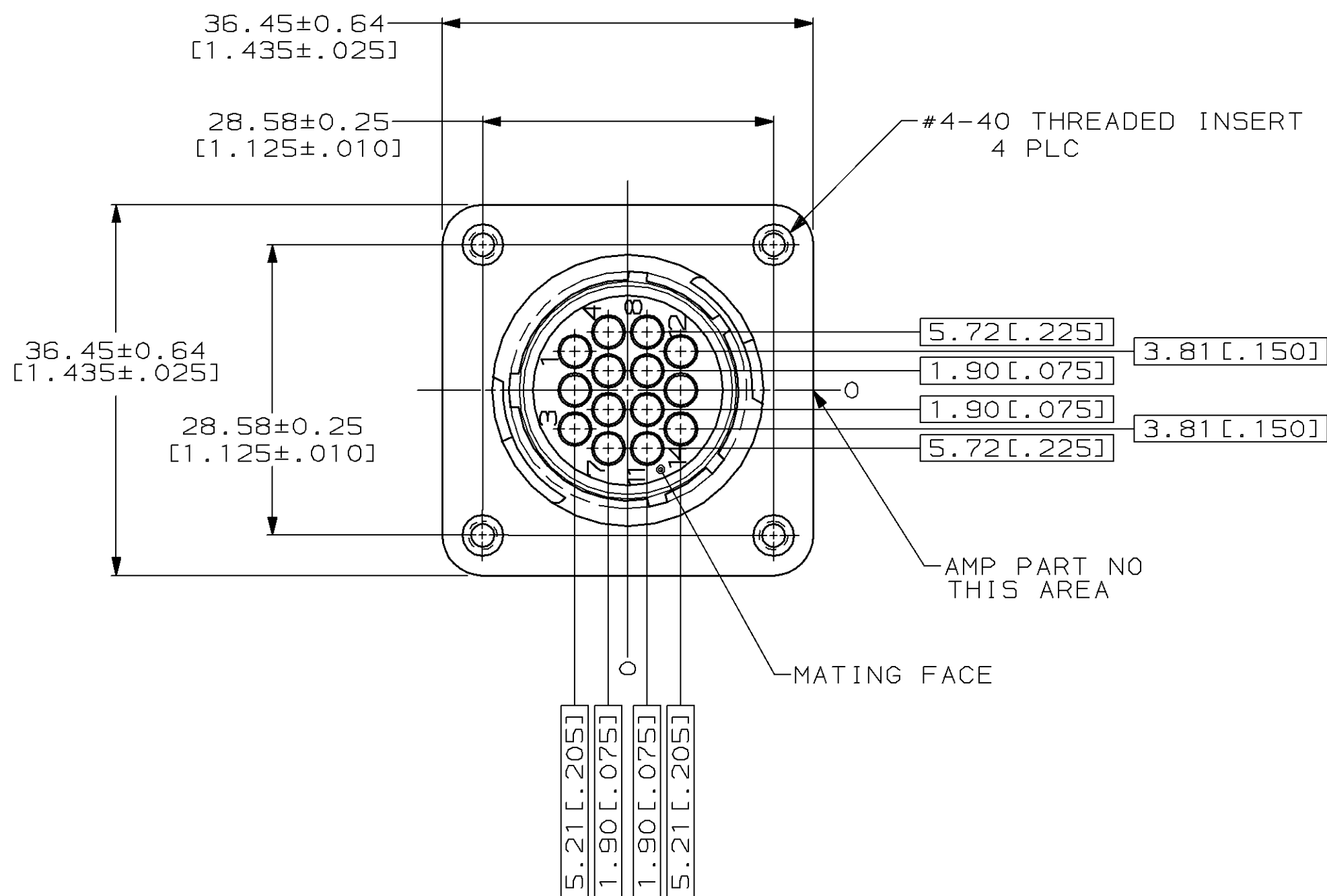
JAMECO[®]
ELECTRONICS

www.Jameco.com ♦ 1-800-831-4242

The content and copyrights of the attached
material are the property of its owner.

Jameco Part Number 750311

MOD		LOC		DIST		REVISIONS				
ZONE	LTR	DESCRIPTION	DATE	APPD						
4	BD	35	P	F	A	REDRAWN W/O CHANGE PER EC 0020-600-94	06/21/94	AF		



- CAVITY IDENTIFICATION ON FRONT AND REAR FACE.
- WILL ACCEPT FOURTEEN (14) MULTIMATE SOCKET CONTACTS.

THIS DRAWING IS A CONTROLLED DOCUMENT FOR AMP INCORPORATED. IT IS SUBJECT TO CHANGE AND THE CONTROLLING ENGINEERING ORGANIZATION SHOULD BE CONTACTED FOR THE LATEST REVISION.

DO NOT SCALE PRINT. UNLESS SPECIFIED DIMENSIONS IN mm [INCHES] TOLERANCES ON : 2 PLC DEC ± - 3 PLC DEC ± - ANGLES ± -		DR 06-21-94 D.HARDY CHK 06-28-94 R.STONE APPD 08-09-94 A.FRANTUM APPD 08-09-94 A.FRANTUM PRODUCT SPEC - APPLICATION SPEC - WEIGHT -		AMP Incorporated Harrisburg, PA 17105-3608 NAME RECEPTACLE ASSEMBLY W/ THREADED FASTENERS, SHELL SIZE 17, REVERSE SEX, CPC SIZE CAGE CODE DRAWING NO C 00779 C=211103 SCALE 2:1 SHEET 1 OF 1	
			211103-1 PART NO		