

Distributed by:

JAMECO[®]
ELECTRONICS

www.Jameco.com ♦ 1-800-831-4242

The content and copyrights of the attached
material are the property of its owner.

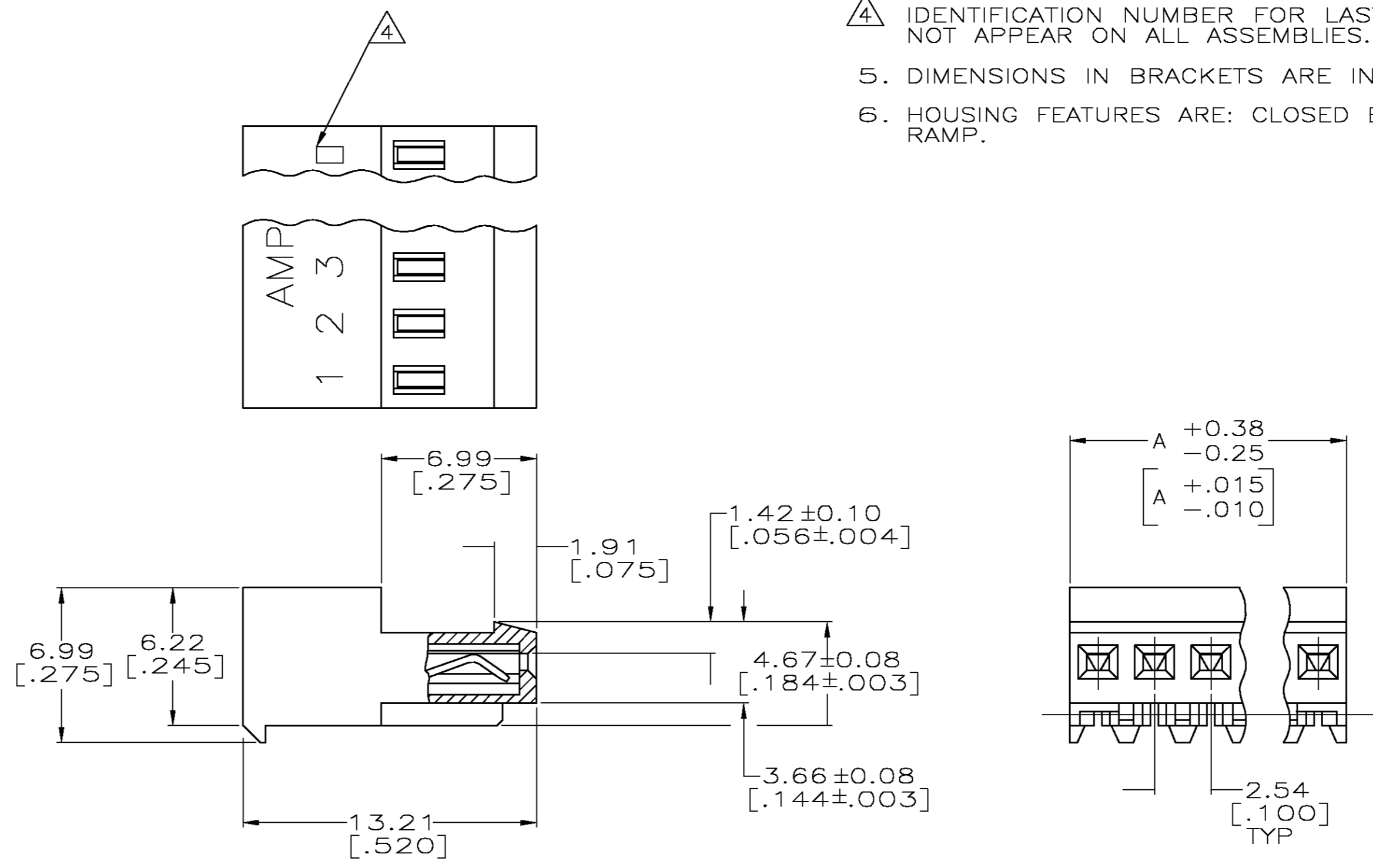
Jameco Part Number 750856

THIS DRAWING IS UNPUBLISHED. RELEASED FOR PUBLICATION
 © COPYRIGHT BY TYCO ELECTRONICS CORPORATION. ALL RIGHTS RESERVED.

| LOC | DIST | REVISIONS | | | | | |
|-----|------|-----------|-----|--------------------------|---------|-----|------|
| CM | 00 | P | LTR | DESCRIPTION | DATE | DWN | APVD |
| | | L | | REV PER ECN 0G3B-0324-03 | 09JUN03 | SC | DB |

| | | | | |
|----------|-------|-----------------|----------|------------|
| YES | 71.12 | [2.800] | 28 | 5-640440-8 |
| YES | 68.58 | [2.700] | 27 | 5-640440-7 |
| YES | 66.04 | [2.600] | 26 | 5-640440-6 |
| YES | 63.50 | [2.500] | 25 | 5-640440-5 |
| YES | 60.96 | [2.400] | 24 | 5-640440-4 |
| YES | 58.42 | [2.300] | 23 | 5-640440-3 |
| YES | 55.88 | [2.200] | 22 | 5-640440-2 |
| YES | 53.34 | [2.100] | 21 | 5-640440-1 |
| YES | 50.80 | [2.000] | 20 | 5-640440-0 |
| YES | 48.26 | [1.900] | 19 | 4-640440-9 |
| YES | 45.72 | [1.800] | 18 | 4-640440-8 |
| YES | 43.18 | [1.700] | 17 | 4-640440-7 |
| YES | 40.64 | [1.600] | 16 | 4-640440-6 |
| YES | 38.10 | [1.500] | 15 | 4-640440-5 |
| YES | 35.56 | [1.400] | 14 | 4-640440-4 |
| YES | 33.02 | [1.300] | 13 | 4-640440-3 |
| YES | 30.48 | [1.200] | 12 | 4-640440-2 |
| YES | 27.94 | [1.100] | 11 | 4-640440-1 |
| YES | 25.40 | [1.000] | 10 | 4-640440-0 |
| YES | 22.86 | [.900] | 9 | 3-640440-9 |
| YES | 20.32 | [.800] | 8 | 3-640440-8 |
| YES | 17.78 | [.700] | 7 | 3-640440-7 |
| YES | 15.24 | [.600] | 6 | 3-640440-6 |
| YES | 12.70 | [.500] | 5 | 3-640440-5 |
| YES | 10.16 | [.400] | 4 | 3-640440-4 |
| YES | 7.62 | [.300] | 3 | 3-640440-3 |
| YES | 5.08 | [.200] | 2 | 3-640440-2 |
| NO | 71.12 | [2.800] | 28 | 2-640440-8 |
| NO | 68.58 | [2.700] | 27 | 2-640440-7 |
| NO | 66.04 | [2.600] | 26 | 2-640440-6 |
| NO | 63.50 | [2.500] | 25 | 2-640440-5 |
| NO | 60.96 | [2.400] | 24 | 2-640440-4 |
| NO | 58.42 | [2.300] | 23 | 2-640440-3 |
| NO | 55.88 | [2.200] | 22 | 2-640440-2 |
| NO | 53.34 | [2.100] | 21 | 2-640440-1 |
| NO | 50.80 | [2.000] | 20 | 2-640440-0 |
| NO | 48.26 | [1.900] | 19 | 1-640440-9 |
| NO | 45.72 | [1.800] | 18 | 1-640440-8 |
| NO | 43.18 | [1.700] | 17 | 1-640440-7 |
| NO | 40.64 | [1.600] | 16 | 1-640440-6 |
| NO | 38.10 | [1.500] | 15 | 1-640440-5 |
| NO | 35.56 | [1.400] | 14 | 1-640440-4 |
| NO | 33.02 | [1.300] | 13 | 1-640440-3 |
| NO | 30.48 | [1.200] | 12 | 1-640440-2 |
| NO | 27.94 | [1.100] | 11 | 1-640440-1 |
| NO | 25.40 | [1.000] | 10 | 1-640440-0 |
| NO | 22.86 | [.900] | 9 | 640440-9 |
| NO | 20.32 | [.800] | 8 | 640440-8 |
| NO | 17.78 | [.700] | 7 | 640440-7 |
| NO | 15.24 | [.600] | 6 | 640440-6 |
| NO | 12.70 | [.500] | 5 | 640440-5 |
| NO | 10.16 | [.400] | 4 | 640440-4 |
| NO | 7.62 | [.300] | 3 | 640440-3 |
| NO | 5.08 | [.200] | 2 | 640440-2 |
| LEADFREE | DIM A | NO. OF CIRCUITS | PART NO. | |

- 1. MATERIAL: CONNECTOR - NYLON UL94V-2 (RED).
 CONTACTS - 0.30[.012] THICK COPPER ALLOY
 BRIGHT TIN-LEAD .00203[.000080] MIN THICKNESS
 FOR 640440-2 THRU 2-640440-8.
 BRIGHT TIN .00305[.000120] MIN THICKNESS
 FOR 3-640440-2 THRU 5-640440-8.
- 2. CONTACTS ACCEPT 22 AWG WIRE WITH 1.52[.060] MAX INSULATION DIAMETER.
- 3. CONTACTS MUST ACCEPT 0.64±0.03[.025] POST AND REMAIN LOCKED IN POSITION.
- 4. IDENTIFICATION NUMBER FOR LAST CIRCUIT MAY NOT APPEAR ON ALL ASSEMBLIES.
- 5. DIMENSIONS IN BRACKETS ARE IN INCHES.
- 6. HOUSING FEATURES ARE: CLOSED END WITH LOCKING RAMP.



METRIC

| | | | | |
|--|--|----------------------------------|---|--------------------|
| THIS DRAWING IS A CONTROLLED DOCUMENT. | | DWN S. CARPENTER 09JUN2003 | Tyco Electronics Corporation Harrisburg, PA 17105 | |
| DIMENSIONS: INCHES | | CHK D. BOSSI 09JUN2003 | NAME MTA 100 CONNECTOR ASSEMBLY, 22 AWG, STANDARD | |
| TOLERANCES UNLESS OTHERWISE SPECIFIED: | | APVD D. BOSSI 09JUN2003 | PRODUCT SPEC 108-1050 | |
| 0 PLC ± | | APPLICATION SPEC 114-1019 | | |
| 1 PLC ± | | SIZE A2 | | CAGE CODE 00779 |
| 2 PLC ± | | DRAWING NO C=640440 | | RESTRICTED TO - |
| 3 PLC ± 0.13 [.005] | | WEIGHT | | |
| 4 PLC ± | | CUSTOMER DRAWING | | |
| ANGLES ± | | SCALE 5:1 | | |
| FINISH 1 | | SHEET 1 OF 1 | | |
| MATERIAL 1 | | REV L | | |

A/C BUSINESS GROUP 3323 177-34 'BARRY LEWIS'