

Distributed by:

**JAMECO**<sup>®</sup>  
ELECTRONICS

**www.Jameco.com ♦ 1-800-831-4242**

The content and copyrights of the attached  
material are the property of its owner.

Jameco Part Number 751584

THIS DRAWING IS UNPUBLISHED. RELEASED FOR PUBLICATION BY AMP INCORPORATED. ALL INTERNATIONAL RIGHTS RESERVED. © COPYRIGHT 19 19

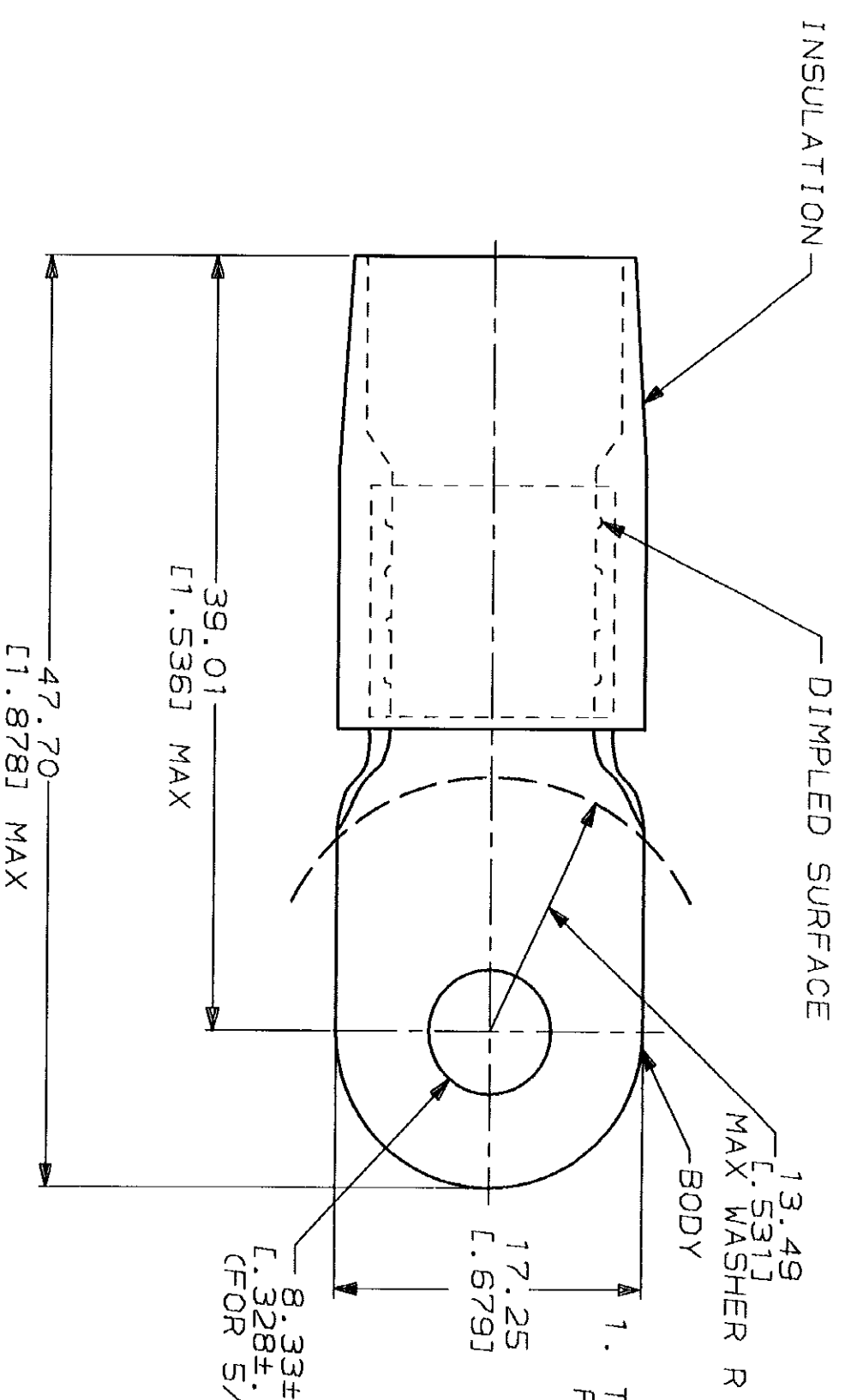
LOC	DIST	P	ZONE	LTR	DESCRIPTION	DATE	APPD
G	14	F		F	EC 0720-0279-93	6-18-93	SSB BB

REVISIONS

<b>AMP</b>
WIRE RANGE
4 AWG STRANDED

**METRIOR**  
DIMENSIONS LISTED IN mm [ INCHES ]

1. TONGUE MATERIAL THK 1.22±0.08 [ 0.048±.003 ] FOR 9.70 [ 0.382 ] MAX WIRE INS DIA



AMP INCORPORATED  
CUSTOMER SERVICE SYSTEMS

FOR ADDITIONAL PRODUCT INFORMATION OR COPIES OF DRAWINGS AND TECHNICAL DOCUMENTS	1-800-522-6752	PRODUCT INFORMATION CENTER
FOR APPLICATION TOOLING INFORMATION	1-800-722-1111	TOOLING ASSISTANCE CENTER
FOR ORDER ENTRY	1-800-526-5142	

MS25036-124 CLASS 2	MILITARY P/N AND CLASS	DO NOT SCALE PRINT. UNLESS SPECIFIED OTHERWISE
	MAX RECOMMENDED OPERATING TEMPERATURE: 105°C	TOLERANCES UNLESS SPECIFIED: 1. PLG DEC ± 0.20 (0.008)
	VOLTAGE RATING: -	2. ANGLES ±
	CIRCULAR MIL AREA: 16.8-26.7mm² [33, 100-52, 600] STRANDED	3. PLG DEC ±
	FINISH: TIN PLATE PER MIL-T-10727	4. MATERIAL: COPPER PER ASTM B-152 NYLON (MIL-M-20693) TYPE 1 COLOR: YELLOW

LOOSE PC	324051	DR	6-18-93	S.S. GOLDEN
PACKAGE TYPE	PART NO	CHK	6-18-93	R. HERSEY
<b>AMP</b>	AMP Incorporated	APPD	6-18-93	B. BARE
Harrisburg, PA 17105-3608		APPD	6-18-93	M. ELLIS
TERMINAL, RING TONGUE, TERMINYL WIRE SIZE: 4 AWG		PRODUCT SPEC		
SIZE: B	CAGE CODE: 00779	APPLICATION SPEC		
SCALE: NTS	DRAWING NO: G=324051	WEIGHT: -		