

Distributed by:

**JAMECO**<sup>®</sup>  
ELECTRONICS

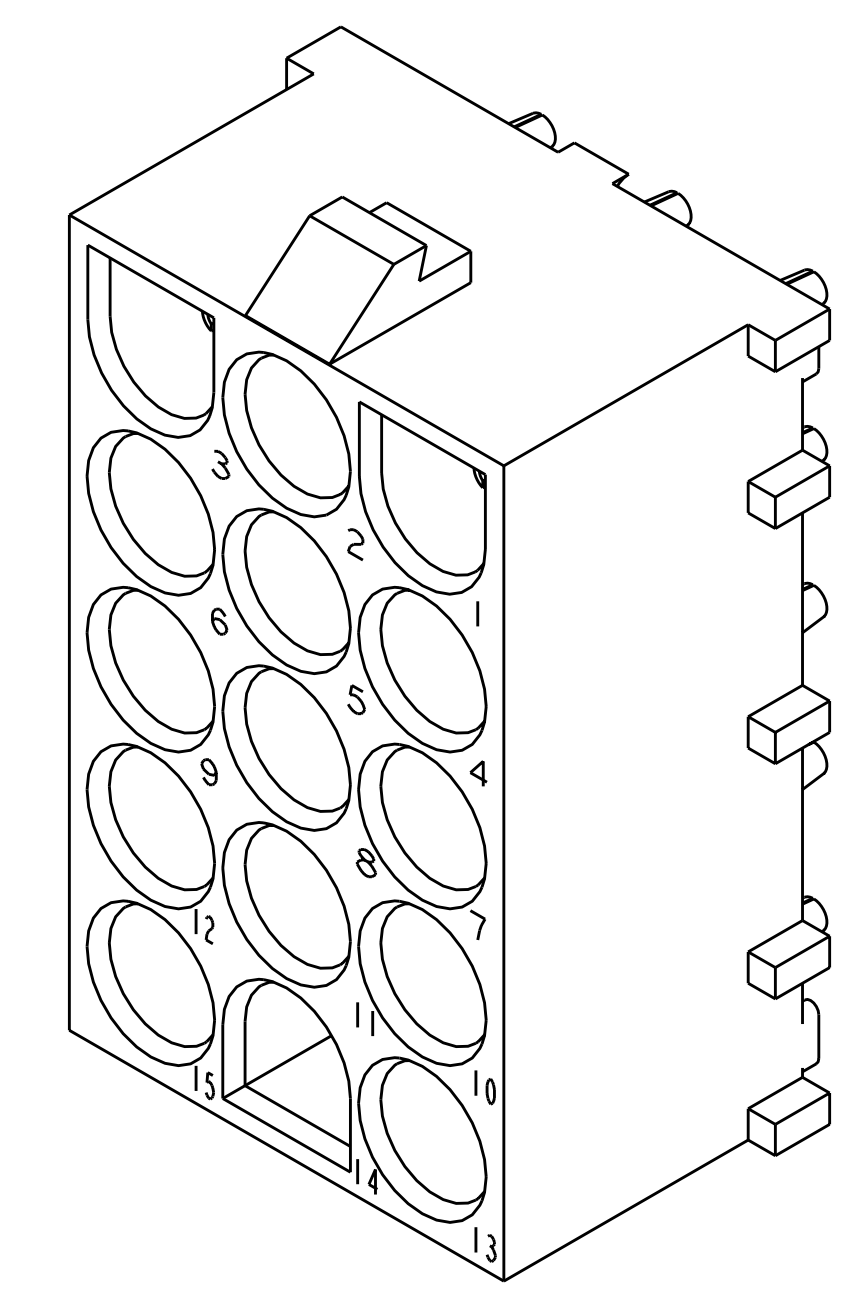
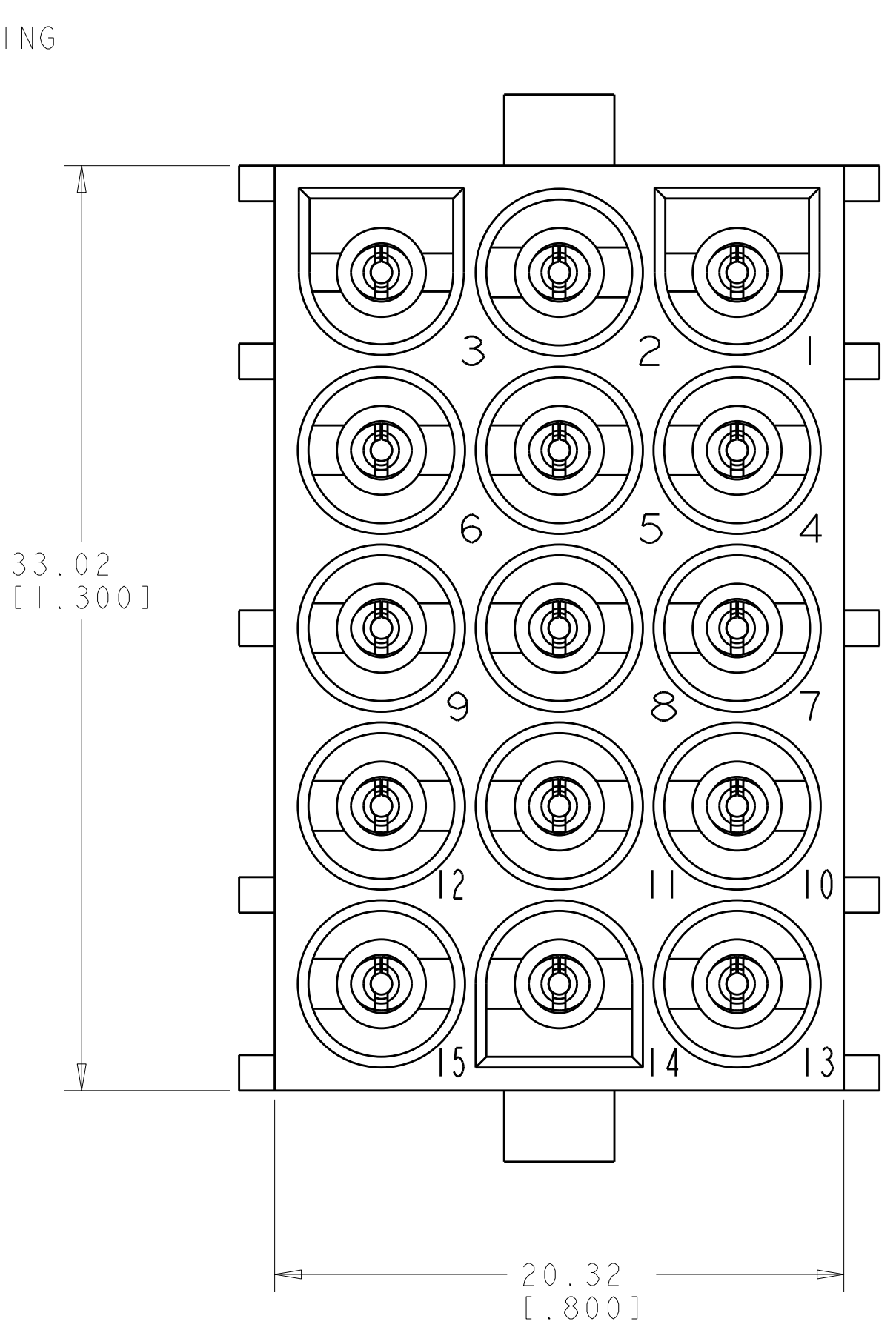
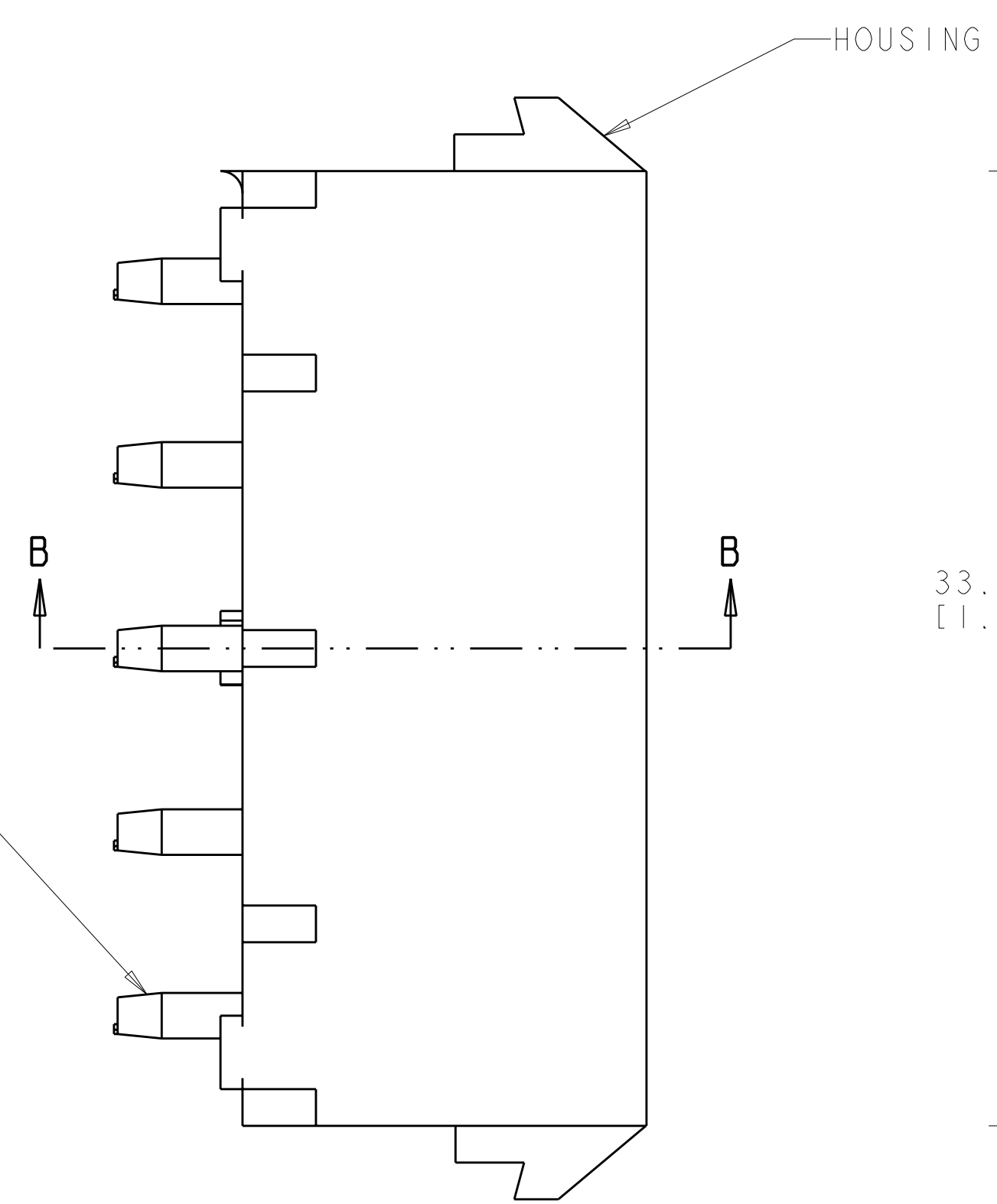
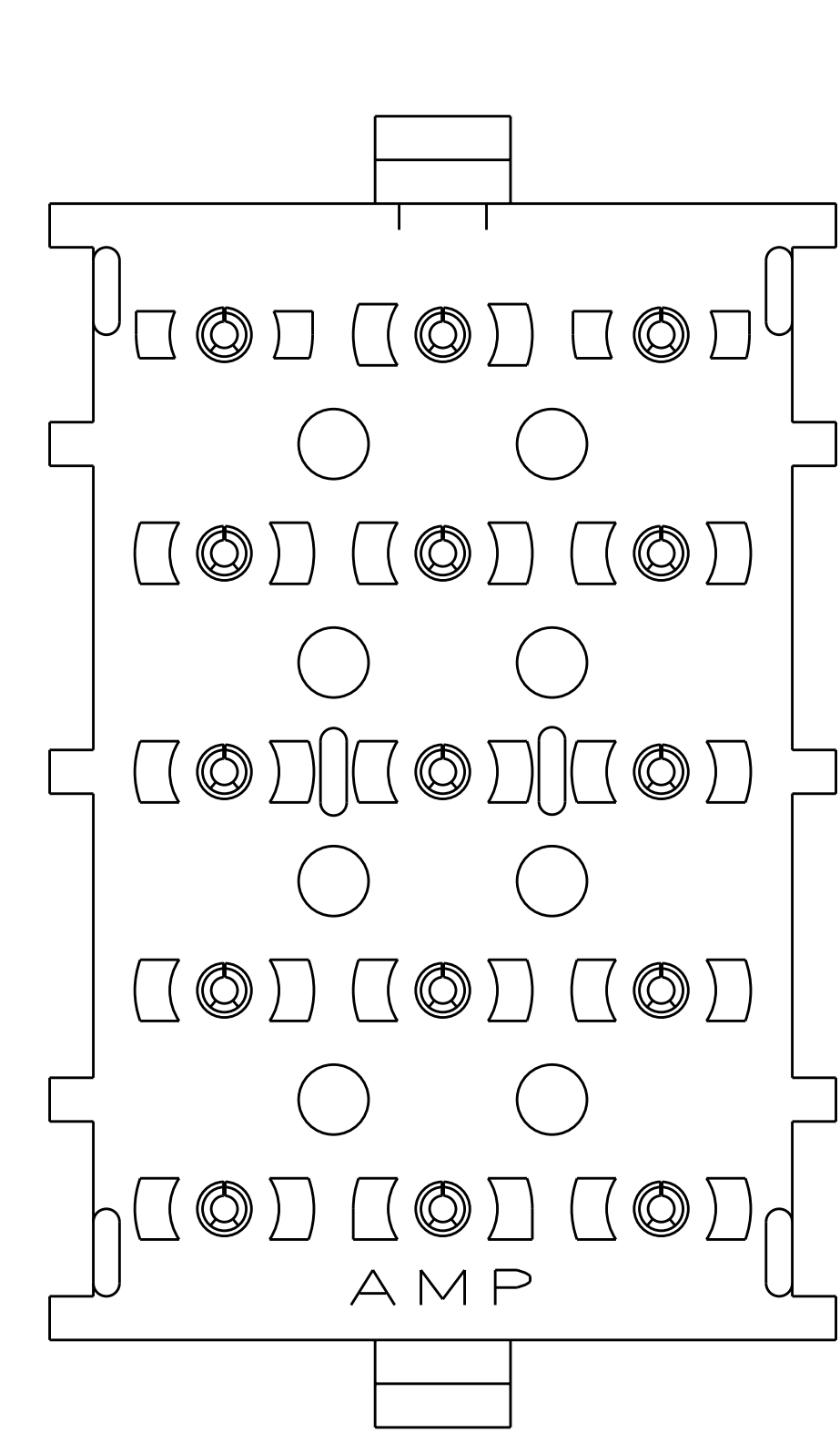
**www.Jameco.com ♦ 1-800-831-4242**

The content and copyrights of the attached  
material are the property of its owner.

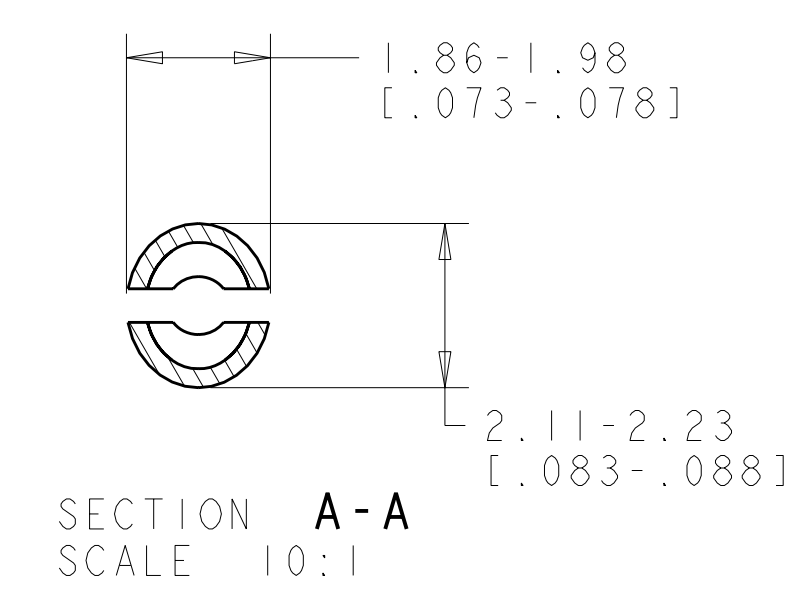
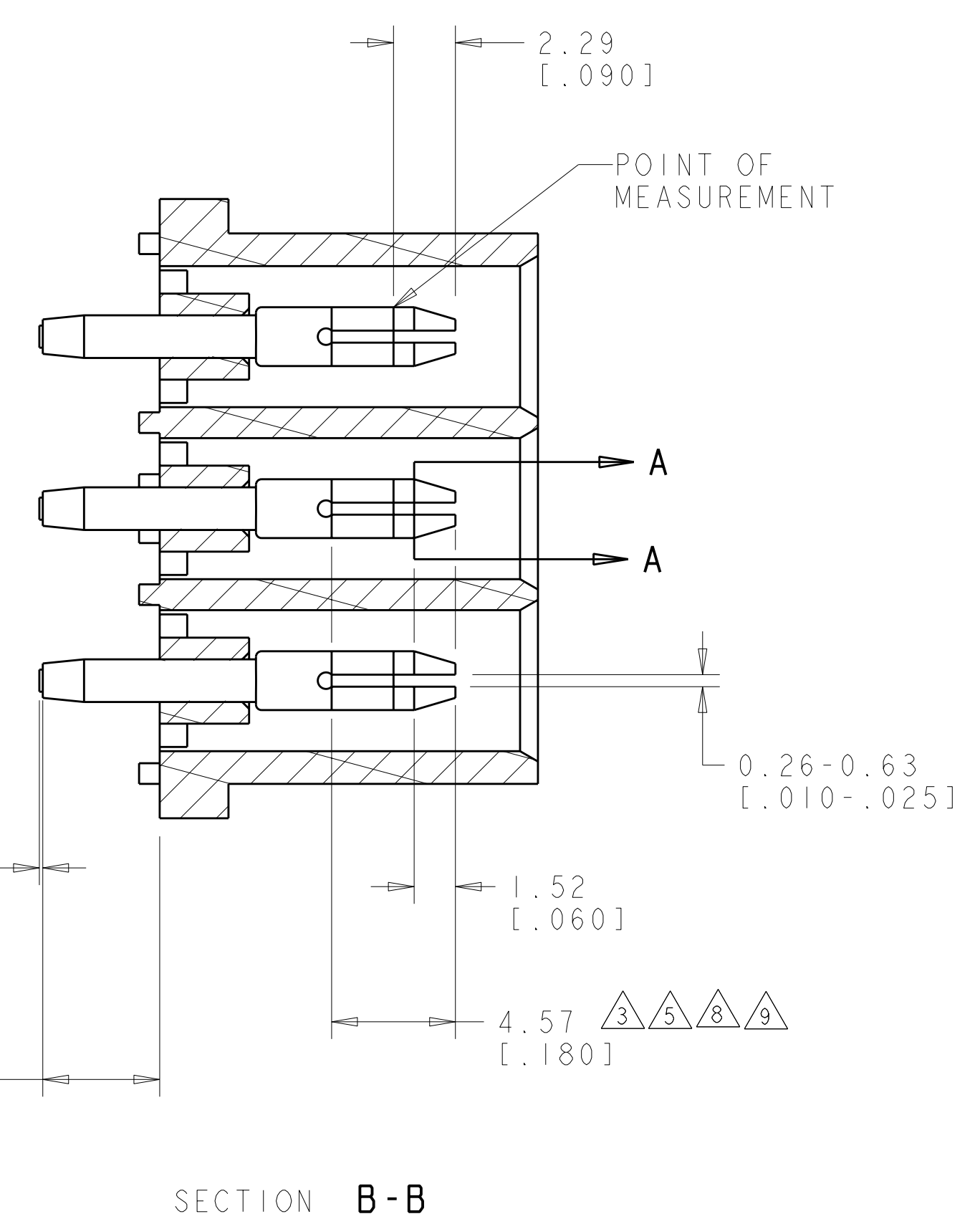
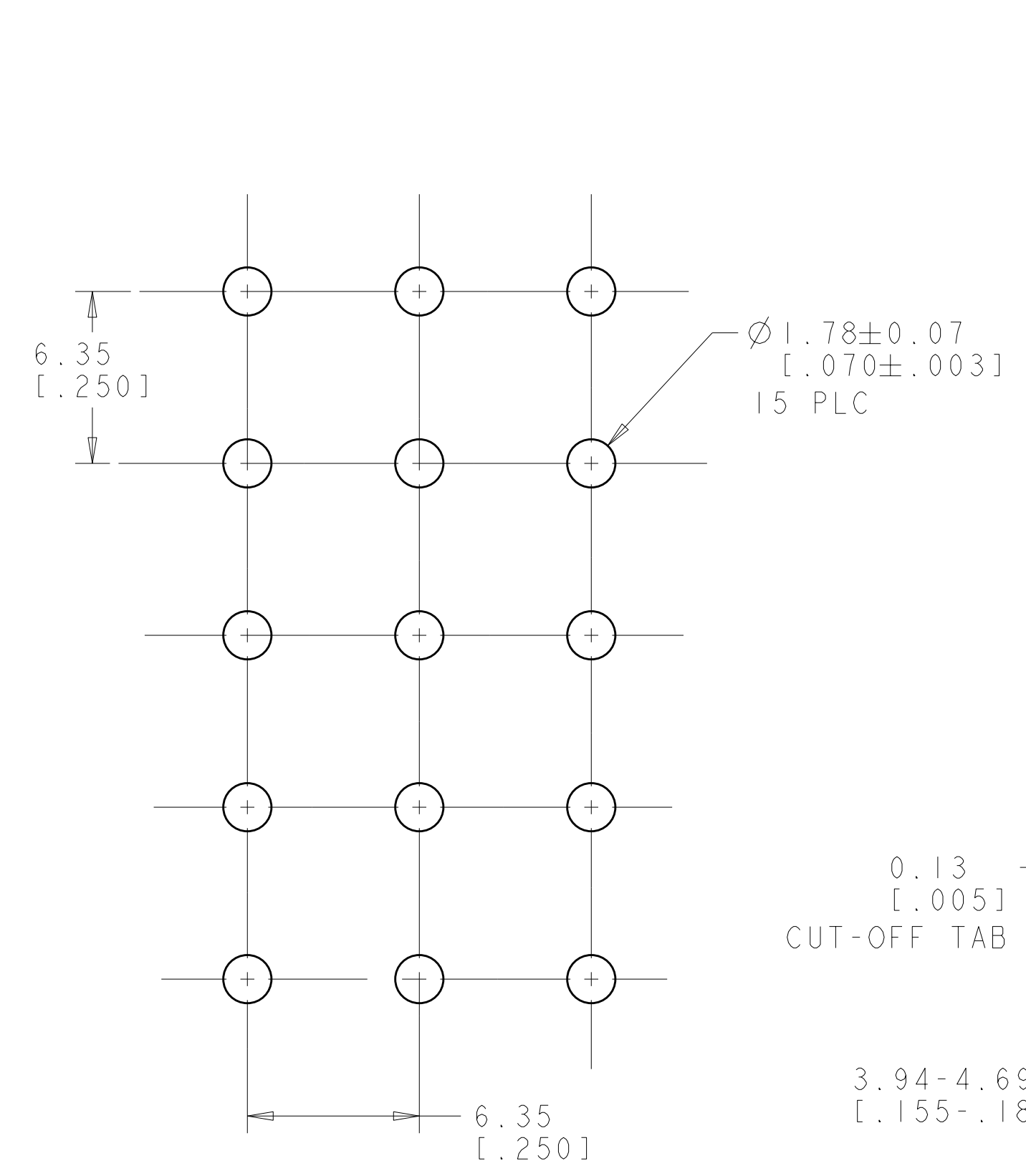
Jameco Part Number 751963

LOC	DIST	REV	DATE	BY	APP'D
CM	00	P	26 JULY 05	KW	SR
		PI	03 AUG 06	KW	SR

1. MATES WITH HOUSING 350736.
2. NOTE DELETED.
3. PARTS COMPLY TO AMP SOLDERABILITY SPECIFICATION 109-11-3.
4. CONTACT IS PLATED OVERALL WITH 0.00127 [0.00050] NICKEL, THEN 0.00076 [0.00030] GOLD OVER CONTACT LENGTH INDICATED AND TIN LEAD ON SOLDER TAIL END.
5. CONTACT IS PLATED OVERALL WITH 0.00127 [0.00050] NICKEL, THEN 0.00038 [0.00015] GOLD OVER CONTACT LENGTH INDICATED AND TIN LEAD ON SOLDER TAIL END.
6. PACKAGED PER SPEC 107-1202.
7. CIRCUIT IDENTIFICATION CHARACTERS ARE ADJACENT TO THE INDICATED CAVITIES, BUT LOCATION AND ORIENTATION MAY DIFFER FROM PRINT.
8. CONTACT IS PLATED OVERALL WITH 0.00127 [0.00050] NICKEL, THEN 0.00076 [0.00030] GOLD OVER CONTACT LENGTH INDICATED AND MATTE TIN ON SOLDER TAIL END.
9. CONTACT IS PLATED OVERALL WITH 0.00127 [0.00050] NICKEL, THEN 0.00038 [0.00015] GOLD OVER CONTACT LENGTH INDICATED AND MATTE TIN ON SOLDER TAIL END.
10. DIMENSIONS IN BRACKETS ARE IN INCHES.



3 DIMENSIONAL MODEL  
SCALE 4:1



PIN CONTACT MATERIAL AND FINISH	HOUSING MATERIAL AND COLOR	PART NUMBER
PHOSPOR BRONZE, PRE-TIN	NYLON, UL94V-0, NATURAL	1-350714-1
PHOSPOR BRONZE, GOLD <sup>9</sup>	NYLON, UL94V-0, NATURAL	350714-5
PHOSPOR BRONZE, GOLD <sup>8</sup>	NYLON, UL94V-0, NATURAL	350714-4
PHOSPOR BRONZE, GOLD <sup>5</sup>	NYLON, UL94V-0, NATURAL	350714-3
PHOSPOR BRONZE, GOLD <sup>4</sup>	NYLON, UL94V-0, NATURAL	350714-2
PHOSPOR BRONZE, PRE-TIN	NYLON, UL94V-0, NATURAL	350714-1

RECOMMENDED MOUNTING HOLE PATTERN FOR 1.57 [0.062] THICK P.C. BOARD HOLE THAT CORRESPONDS TO REMOVED CONTACT CAN BE OMITTED



DIMENSIONS: mm [INCHES]	TOLERANCES UNLESS OTHERWISE SPECIFIED: 9 PLC ± 5 PLC ±0.13 (.005) 4 PLC ± ANGLES 40° 30'	FINISH SEE TABLE	DWG: R. WHITAKER 26 JULY 2005 CHK: S. RIDGILL 26 JULY 2005 APP'D: S. RIDGILL 26 JULY 2005 NAME: S. RIDGILL PRODUCT SPEC: APPLICATION SPEC: WEIGHT:	Tyco Electronics Harrisburg, PA 17105-3608 PIN HEADER ASSEMBLY, 15 CIRCUIT, UNIVERSAL MATE-N-LOK(TM) SIZE: CAGE CODE: DRAWING NO: 00779 C=350714 RESTRICTED TO:
----------------------------	--	---------------------	--	---