

Distributed by:

JAMECO[®]
ELECTRONICS

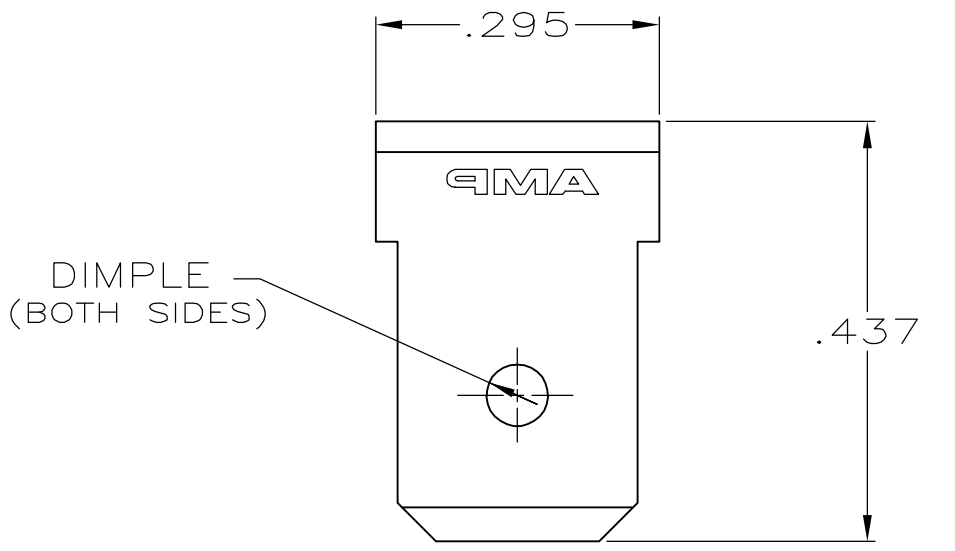
www.Jameco.com ♦ 1-800-831-4242

The content and copyrights of the attached
material are the property of its owner.

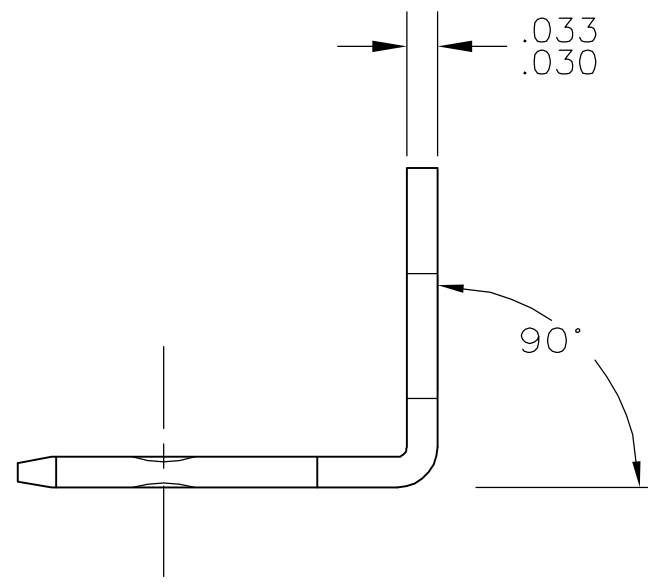
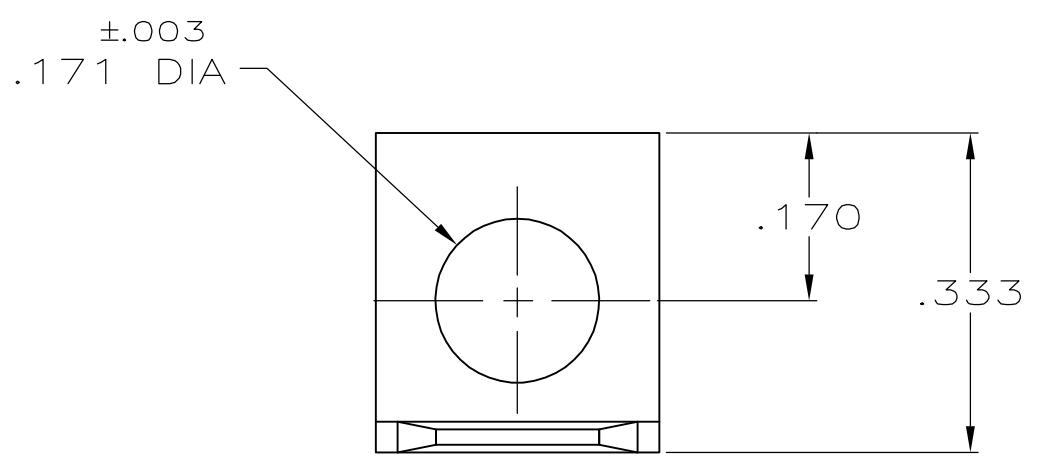
Jameco Part Number 752448

THIS DRAWING IS UNPUBLISHED. RELEASED FOR PUBLICATION
 © COPYRIGHT - BY TYCO ELECTRONICS CORPORATION. ALL RIGHTS RESERVED.

LOC	DIST	REVISIONS			
P	LTR	DESCRIPTION	DATE	DWN	APVD
AF	50	F	REV PER ECR-05-017287	06APR06	HMR JR



1 SUPPLIED IN LOOSE PIECE.



TIN	42214-2
-	42214-1
FINISH	PART NO

THIS DRAWING IS A CONTROLLED DOCUMENT.		DWN	JR RUTH	3/8/95	 Tyco Electronics Corporation Harrisburg, PA 17105-3608
DIMENSIONS: INCHES		CHK	MS FEHER	3/8/95	
		APVD	P DESANTIS	3/8/95	
TOLERANCES UNLESS OTHERWISE SPECIFIED:		PRODUCT SPEC		NAME	
0 PLC ± -		-		TAB, FASTON, .250 SERIES	
1 PLC ± -		APPLICATION SPEC		SIZE	
2 PLC ± -		-		CAGE CODE	
3 PLC ± .015		-		DRAWING NO	
4 PLC ± -		-		RESTRICTED TO	
ANGLES ± -		WEIGHT		-	
MATERIAL		CUSTOMER DRAWING		SCALE	
082 BRASS		-		5:1	
FINISH		-		SHEET	
SEE TABLE		-		1 OF 1	
		-		REV	
		-		F	