

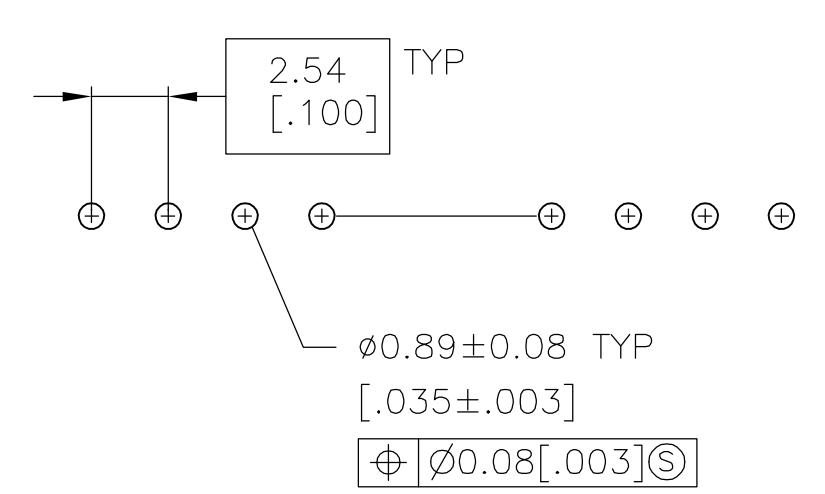
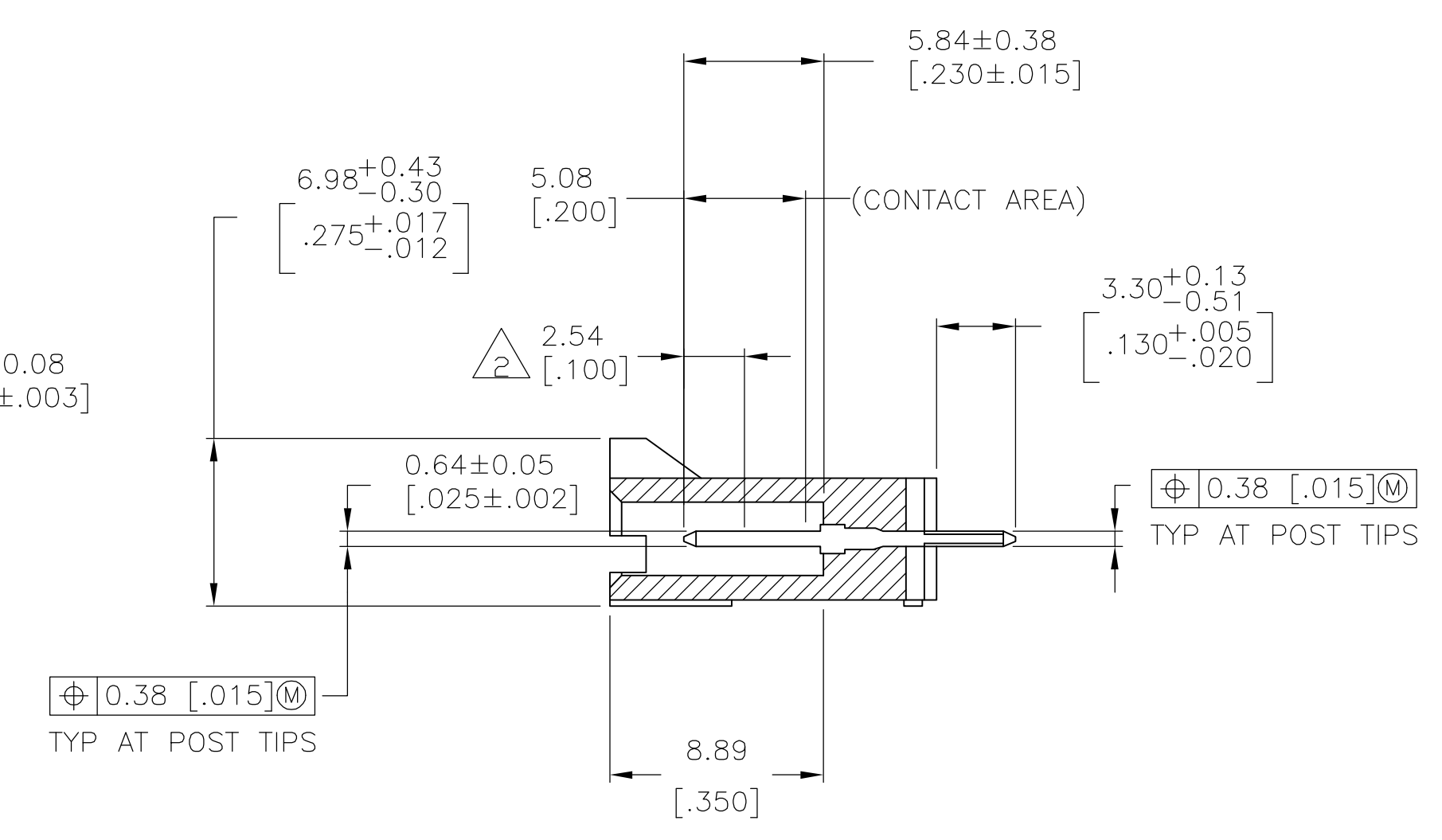
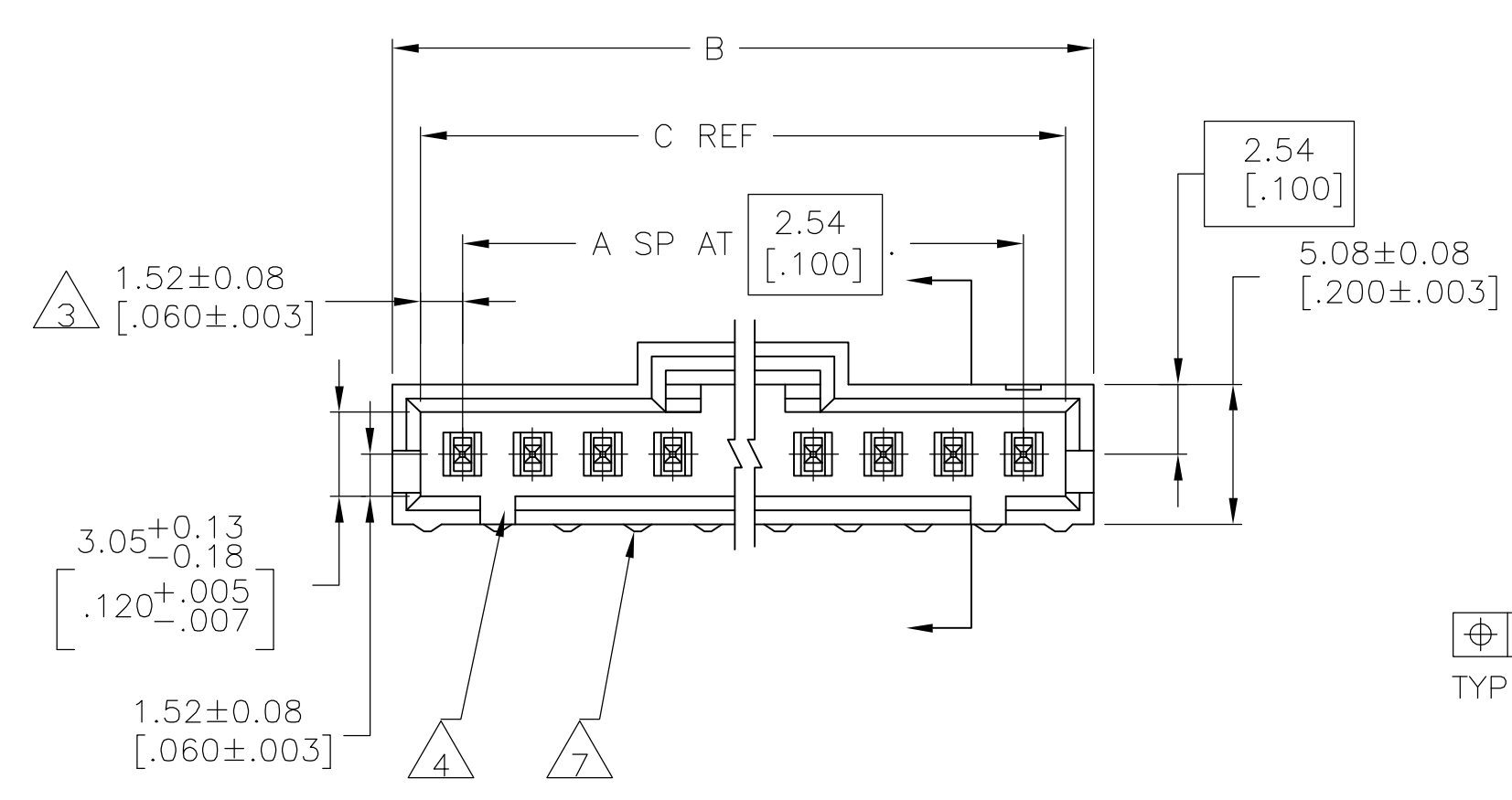
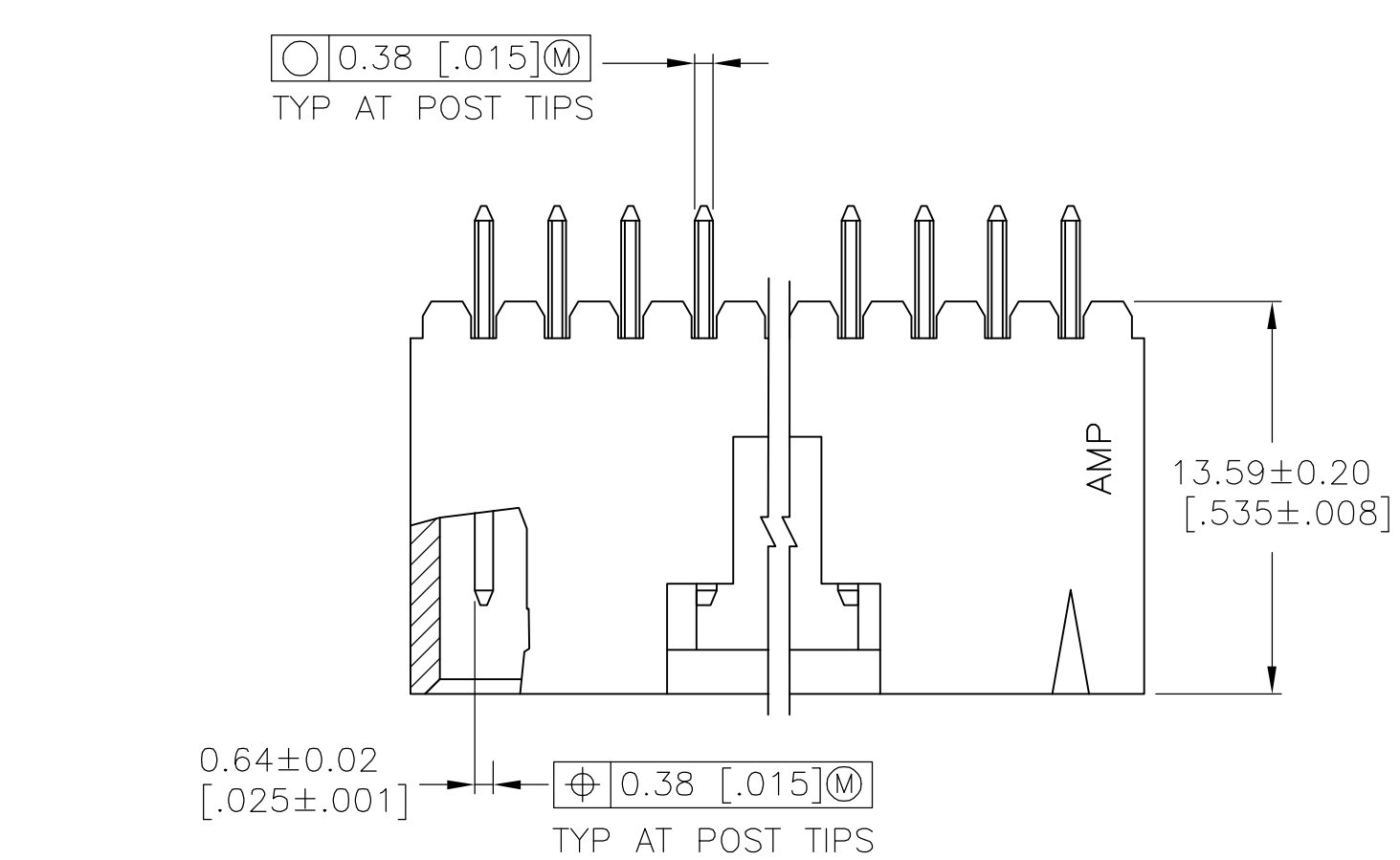
Distributed by:

JAMECO[®]
ELECTRONICS

www.Jameco.com ♦ 1-800-831-4242

The content and copyrights of the attached
material are the property of its owner.

Jameco Part Number 752843



RECOMMENDED HOLE LAYOUT

- 1 .00076[.000030] GOLD IN THE CONTACT AREA, .00254[.000100] MATTE TIN-LEAD ON REMAINDER OF CONTACT, ALL OVER .00127[.000050] NICKEL.
- 2 POINT OF MEASUREMENT FOR PLATING THICKNESS.
- 3 THE NOTED DIMENSIONS APPLY AT THE INTERSECTION OF THE POST AND THE HOUSING.
- 4 ON ASSEMBLIES WITH FOUR OR MORE POSITIONS, TWO POLARIZATION SLOTS. ON ASSEMBLIES WITH TWO OR THREE POSITIONS, ONE POLARIZATION SLOT.
- 5 .00076[.000030] GOLD IN THE CONTACT AREA, .00254[.000100] MATTE TIN ON REMAINDER OF CONTACT, ALL OVER .00127[.000050] NICKEL.
- 6 HIGH TEMPERATURE CONFIGURATION
- 7 STANDOFFS NOT PRESENT ON UNDERSIDE OF ASSEMBLY

	1	64.01	66.04	24	25	2-103735-4
	1	61.47	63.50	23	24	2-103735-3
	1	58.93	60.96	22	23	2-103735-2
	1	56.39	58.42	21	22	2-103735-1
	1	53.85	55.88	20	21	2-103735-0
	1	51.31	53.34	19	20	1-103735-9
	1	48.77	50.80	18	19	1-103735-8
	1	46.23	48.26	17	18	1-103735-7
	1	43.69	45.72	16	17	1-103735-6
	1	41.15	43.18	15	16	1-103735-5
	1	38.61	40.64	14	15	1-103735-4
	1	36.07	38.10	13	14	1-103735-3
	1	33.53	35.56	12	13	1-103735-2
	1	30.99	33.02	11	12	1-103735-1
	1	28.45	30.48	10	11	1-103735-0
	1	25.91	27.94	9	10	103735-9
	1	23.37	25.40	8	9	103735-8
	1	20.83	22.86	7	8	103735-7
	1	18.29	20.32	6	7	103735-6
	1	15.75	17.78	5	6	103735-5
	1	13.21	15.24	4	5	103735-4
	1	10.67	12.70	3	4	103735-3
	1	8.13	10.16	2	3	103735-2
	1	5.59	7.62	1	2	103735-1

REMARKS	PLATING	C	B	A	NO. OF POSN	PART NO.

THIS DRAWING IS A CONTROLLED DOCUMENT.		DWN S. SHUEY 3-5-91	Tyco Electronics Corporation Harrisburg, Pa 17105-3608
DIMENSIONS: mm [INCHES]		CHK L. CASTAGNA 3-27-91	
TOLERANCES UNLESS OTHERWISE SPECIFIED:		APVD L. CASTAGNA 3-27-91	NAME
0 PLC ± -			PRODUCT SPEC
1 PLC ± -			APPLICATION SPEC
2 PLC ± 0.15[.005]			SIZE
3 PLC ± -			CAGE CODE
4 PLC ± -			DRAWING NO
ANGLES ± -			RESTRICTED TO
MATERIAL: HOUSING: PLAS REINFORCED POLYIMIDE COLOR: BLACK CONTACTS: BRASS FINISH: SEE TABLE		WEIGHT: -	A1 00779 ©= 103735
		CUSTOMER DRAWING	SCALE 4:1 SHEET 1 OF 2 REV U

THIS DRAWING IS UNPUBLISHED. RELEASED FOR PUBLICATION
 © COPYRIGHT BY TYCO ELECTRONICS CORPORATION. ALL RIGHTS RESERVED.

LOC	DIST	REV	DESCRIPTION	DATE	BY	APPV
-	-	-	SEE SHEET 1	-	-	-

△6	△7	△5	64.01 [2.520]	66.04 [2.600]	24	25	7-103735-4
△6	△7	△5	61.47 [2.420]	63.50 [2.500]	23	24	7-103735-3
△6	△7	△5	58.93 [2.320]	60.96 [2.400]	22	23	7-103735-2
△6	△7	△5	56.39 [2.220]	58.42 [2.300]	21	22	7-103735-1
△6	△7	△5	53.85 [2.120]	55.88 [2.200]	20	21	7-103735-0
△6	△7	△5	51.31 [2.020]	53.34 [2.100]	19	20	6-103735-9
△6	△7	△5	48.77 [1.920]	50.80 [2.000]	18	19	6-103735-8
△6	△7	△5	46.23 [1.820]	48.26 [1.900]	17	18	6-103735-7
△6	△7	△5	43.69 [1.720]	45.72 [1.800]	16	17	6-103735-6
△6	△7	△5	41.15 [1.620]	43.18 [1.700]	15	16	6-103735-5
△6	△7	△5	38.61 [1.520]	40.64 [1.600]	14	15	6-103735-4
△6	△7	△5	36.07 [1.420]	38.10 [1.500]	13	14	6-103735-3
△6	△7	△5	33.53 [1.320]	35.56 [1.400]	12	13	6-103735-2
△6	△7	△5	30.99 [1.220]	33.02 [1.300]	11	12	6-103735-1
△6	△7	△5	28.45 [1.120]	30.48 [1.200]	10	11	6-103735-0
△6	△7	△5	25.91 [1.020]	27.94 [1.100]	9	10	5-103735-9
△6	△7	△5	23.37 [.920]	25.40 [1.000]	8	9	5-103735-8
△6	△7	△5	20.83 [.820]	22.86 [.900]	7	8	5-103735-7
△6	△7	△5	18.29 [.720]	20.32 [.800]	6	7	5-103735-6
△6	△7	△5	15.75 [.620]	17.78 [.700]	5	6	5-103735-5
△6	△7	△5	13.21 [.520]	15.24 [.600]	4	5	5-103735-4
△6	△7	△5	10.67 [.420]	12.70 [.500]	3	4	5-103735-3
△6	△7	△5	8.13 [.320]	10.16 [.400]	2	3	5-103735-2
△6	△7	△5	5.59 [.220]	7.62 [.300]	1	2	5-103735-1
REMARKS	PLATING	C	B	A	NO. OF POSN	PART NO.	

THIS DRAWING IS A CONTROLLED DOCUMENT.		DWG S. SHUEY 3-5-91	Tyco Electronics Corporation Harrisburg, Pa 17105-3608
DIMENSIONS: mm [INCHES]		CHK L. CASTAGNA 3-27-91	
TOLERANCES UNLESS OTHERWISE SPECIFIED:		APVD L. CASTAGNA 3-27-91	NAME
0 PLC ± - 1 PLC ± - 2 PLC ± - 3 PLC ± - 4 PLC ± - ANGLES ± -		PRODUCT SPEC	HDR ASSY, VERT, SINGLE ROW 2.54[.100] @, 0.64[.025] SQ POST, WITH PLZN & LATCHING, AMPMODU MTE
MATERIAL FINISH SEE TABLE		APPLICATION SPEC	SIZE CASE CODE DRAWING NO RESTRICTED TO
WEIGHT		—	A1 00779 103735
CUSTOMER DRAWING		SCALE 4:1	SHEET 2 OF 2 REV U