

Distributed by:

JAMECO[®]
ELECTRONICS

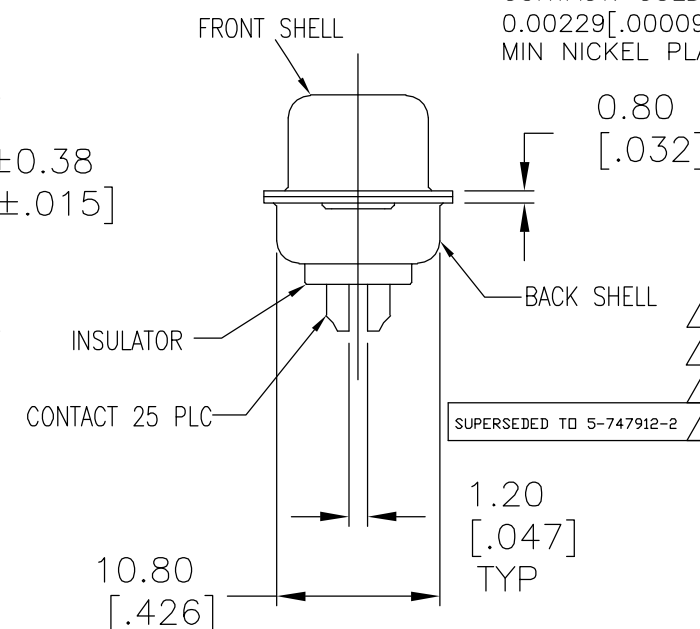
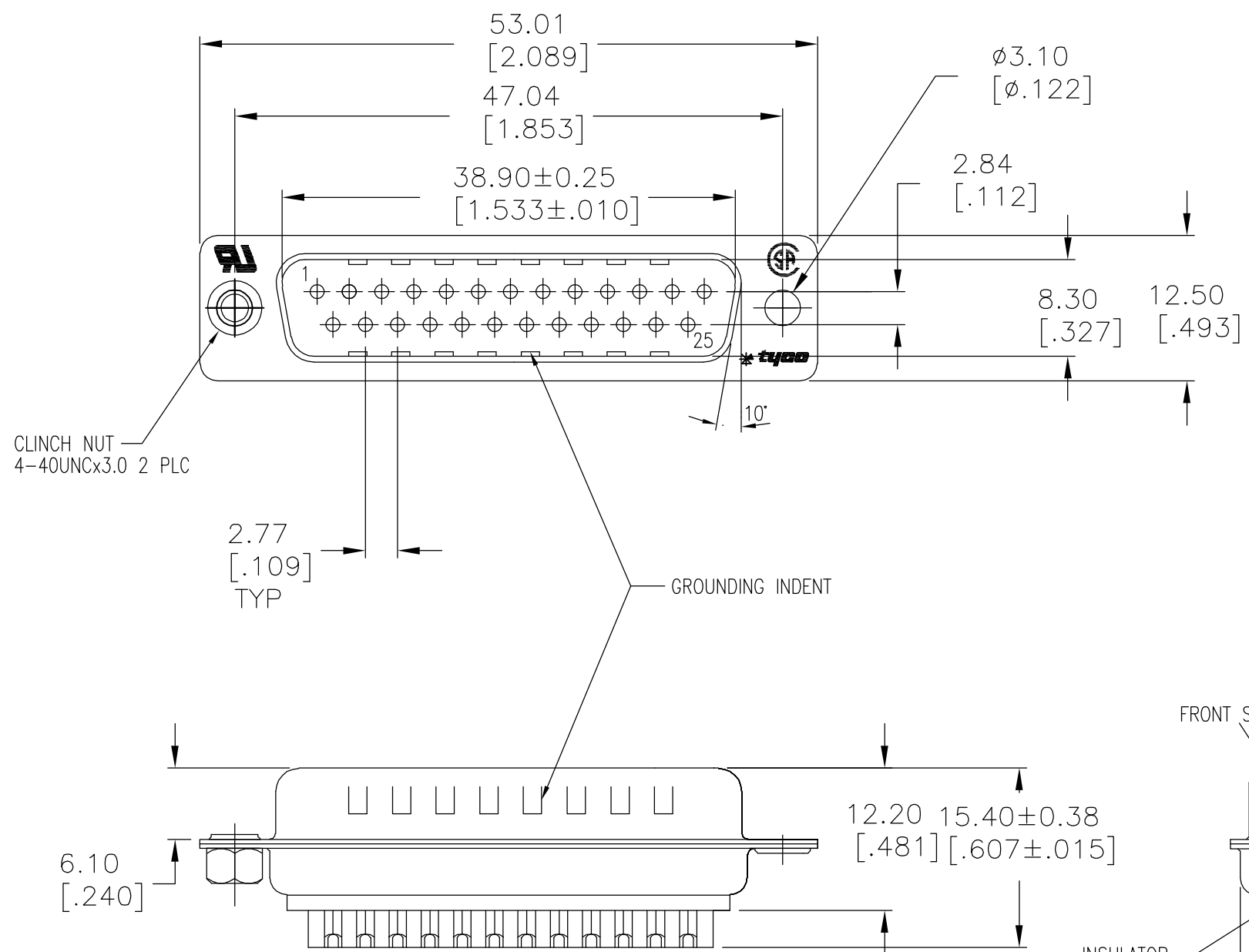
www.Jameco.com ♦ 1-800-831-4242

The content and copyrights of the attached
material are the property of its owner.

Jameco Part Number 753256

THIS DRAWING IS UNPUBLISHED. RELEASED FOR PUBLICATION
 © COPYRIGHT - BY TYCO ELECTRONICS CORPORATION. ALL RIGHTS RESERVED.

LOC	DIST	REVISIONS					
BD	00	P	LTR	DESCRIPTION	DATE	DWN	APVD
			P1	ECO-05-10192	06OCT05	MB	JO



- 1 MATERIAL:
 - FRONT INSULATOR: PBT, 30 %GF, UL94V-0, BLACK COLOR
 - BACK INSULATOR: PBT, 30 %GF, UL94V-0, BLACK COLOR
 - CONTACT: BRASS
 - FRONT SHELL: STEEL
 - BACK SHELL: STEEL
 - CLINCH NUTS: BRASS
- 2 FINISH:
 - CONTACT: GOLD PLATING 0.00002[.0000008] MIN ON CONTACT AREA 0.00229 [.000090] MIN TIN-LEAD PLATING ALL OVER 0.00127[.000050] MIN NICKEL
 - CONTACT: GOLD PLATING 0.00076[.000030] MIN ON CONTACT AREA 0.00229 [.000090] MIN TIN-LEAD PLATING ALL OVER 0.00127[.000050] MIN NICKEL
 - SHELL: TIN 0.0241[.000095] MIN FULL SHELL
 - SHELL: ZINC 0.00076[.000300] MIN FULL SHELL
 - CONTACT: GOLD PLATING 0.00002[.0000008] MIN ON CONTACT AREA 0.00229 [.000090] MIN TIN-COPPER PLATING ALL OVER 0.00127[.000050] MIN NICKEL
 - CLINCH NUTS: NICKEL PLATING .00305-.00508[.000120-.000200]
- 8. SPECIFICATION
 - ELECTRICAL CHARACTERISTICS: CURRENT RATING: 3 AMPERES
 - DIELECTRIC WITHSTANDING VOLTAGE: AC 1000V r.m.s
 - INSULATION RESISTANCE: 5000 MEGOHMS MINIMUM AT DC 500V
 - CONTACT RESISTANCE: 10 MILLIOHMS MAXIMUM.
- 9 ROHS 2002/95/EC COMPLIANT
- 10. PLUG ASSEMBLY MATES WITH ANY 25 POSITION RECEPTACLE IN AMPLIMITE SERIES
- 11. SOLDER CUP WILL ACCOMMODATE 20 MAX AWG WIRE.
- 12 CONTACT: GOLD PLATING 0.00076[.000030] MIN ON CONTACT AREA 0.00229[.000090] MIN TIN-COPPER ALL OVER 0.00127[.000050] MIN NICKEL PLATING

9	STANDARD	YES	YES	6	4	5-747912-7
9	STANDARD	NO	YES	12	4	5-747912-5
9	STANDARD	NO	YES	6	4	5-747912-2
9	STANDARD	NO	YES	6	4	747912-8
	STANDARD	YES	YES	4	4	747912-7
	STANDARD	NO	YES	3	4	747912-5
	STANDARD	NO	NO	4	5	747912-4
	STANDARD	NO	YES	4	4	747912-2
	PACKAGING TYPE	CLINCH NUTS	GROUNDING INDENTS	CONTACTS	SHELLS	PART NO

THIS DRAWING IS A CONTROLLED DOCUMENT.		DWN	M.BINNER	03MAR03	Tyco Electronics Corporation Harrisburg, PA 17105-3608		
DIMENSIONS: mm [INCHES]		CHK	R.BENDORF	05MAR03			
TOLERANCES UNLESS OTHERWISE SPECIFIED:		APVD	R.BENDORF	05MAR03	NAME		
0 PLC ± - 1 PLC ± 0.25 2 PLC ± 0.13 3 PLC ± 0.05 4 PLC ± - ANGLES ± 4°		PRODUCT SPEC		PLUG ASSEMBLY, SOLDER CUP, SIZE 3, 25 POSN, HD-20, AMPLIMITE			
MATERIAL		APPLICATION SPEC		SIZE			RESTRICTED TO
FINISH		WEIGHT		CAGE CODE			
SEE TABLE		-		DRAWING NO			
CUSTOMER DRAWING				A300779		G-747912	
				SCALE		SHEET	
				2:1		1 OF 1	
						REV P1	