

Distributed by:

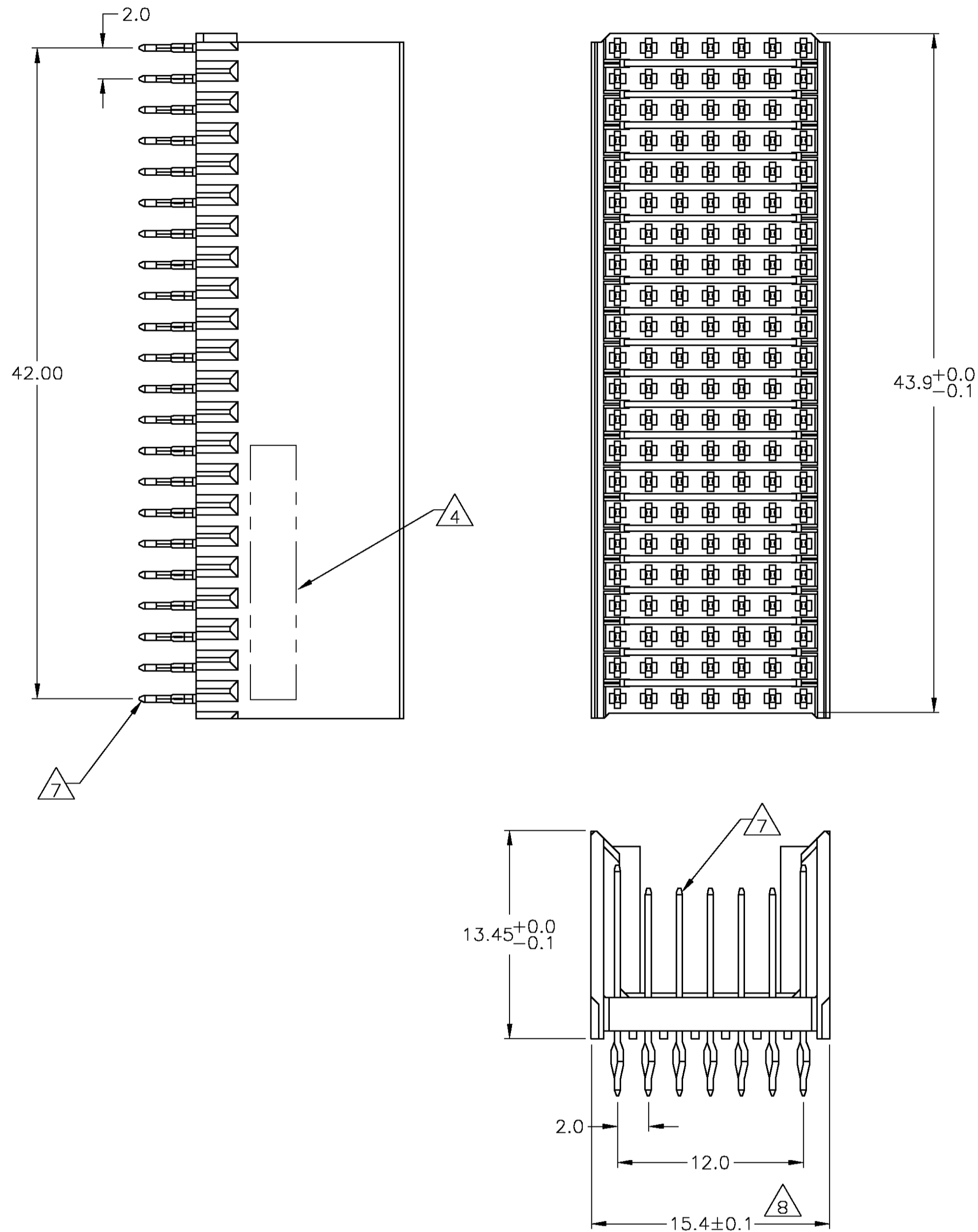
JAMECO[®]
ELECTRONICS

www.Jameco.com ♦ 1-800-831-4242

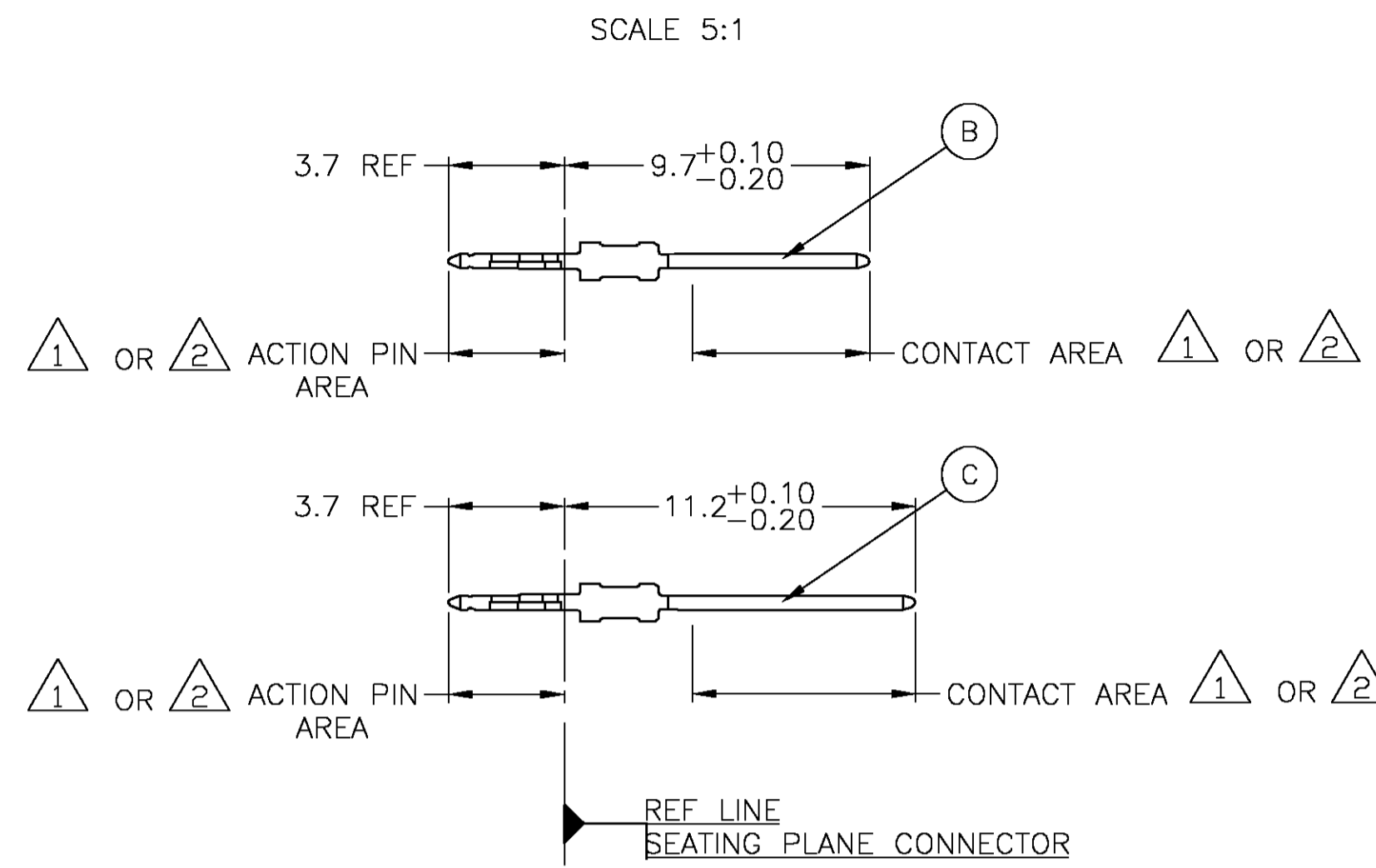
The content and copyrights of the attached
material are the property of its owner.

Jameco Part Number 753723

CONNECTOR ASSEMBLY EXAMPLARY LOADED



CONTACT DIMENSIONS



CONTACT LAYOUT

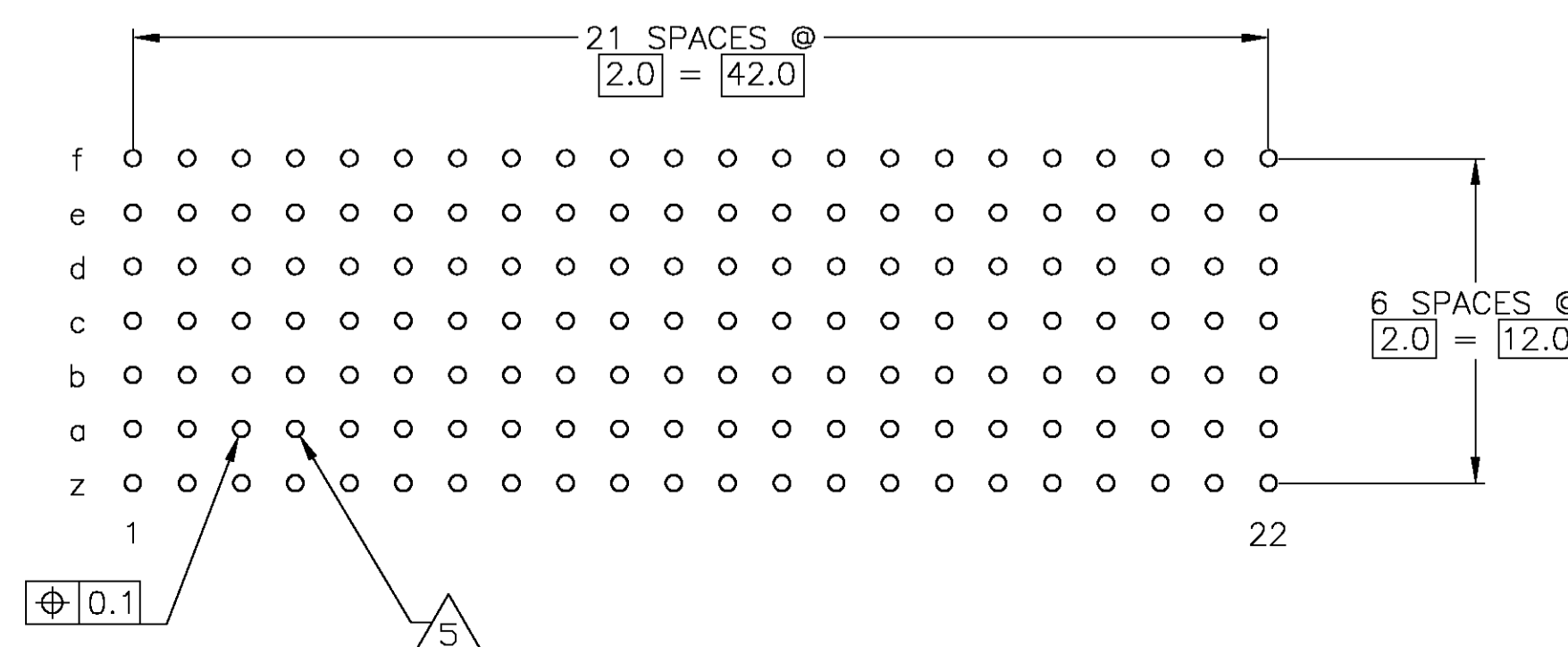
	z	a	b	c	d	e	f
1	C	B	B	B	B	B	C
2	C	B	B	B	B	B	C
3	C	B	B	B	B	B	C
4	C	B	B	B	B	B	C
5	C	B	B	B	B	B	C
6	C	B	B	B	B	B	C
7	C	B	B	B	B	B	C
8	C	B	B	B	B	B	C
9	C	B	B	B	B	B	C
10	C	B	B	B	B	B	C
11	C	B	B	B	B	B	C
12	C	B	B	B	B	B	C
13	C	B	B	B	B	B	C
14	C	B	B	B	B	B	C
15	C	B	B	B	B	B	C
16	C	B	B	B	B	B	C
17	C	B	B	B	B	B	C
18	C	B	B	B	B	B	C
19	C	B	B	B	B	B	C
20	C	B	B	B	B	B	C
21	C	B	B	B	B	B	C
22	C	B	B	B	B	B	C

- 1 CONTACT FINISH:
 CONTACT AREA: 1.27µm MIN GOLD PER ASTM B488 OVER 1.3µm
 MIN NICKEL PER SAE-AMS-QQ-N-290.
 ACTION PIN: 0.5µm MIN TIN PER ASTM B545 OVER 1.3µm MIN NICKEL
 PER SAE-AMS-QQ-N-290.
- 2 CONTACT FINISH:
 CONTACT AREA: 0.8µm MIN GOLD PER ASTM B488 OVER 1.3µm
 MIN NICKEL PER SAE-AMS-QQ-N-290.
 ACTION PIN: 0.5µm MIN TIN PER ASTM B545 OVER 1.3µm MIN NICKEL
 PER SAE-AMS-QQ-N-290.
- 3 MATERIAL:
 CONTACT: PHOSPHOR BRONZE.
 HOUSING: GLASS-FILLED POLYESTER.
- 4 CONNECTOR MARKED WITH PART NUMBER AND DATE CODE.
 ADDITIONAL CHARACTERS OR MARKINGS, AS WELL AS THE LOCATION OF THE MARKINGS,
 MAY BE ADDED FOR TRACEABILITY BASED UPON MANUFACTURERS DISCRETION.
- 5 PLATED-THROUGH HOLES AT 2x2mm SQUARE GRID
 PATTERN DEFINED BY CONTACT LAYOUT.
- 6 FOR ACTUAL PIN LOADING SEE "CONTACT LAYOUT".
- 7 FOR ACTUAL PIN DIMENSIONS SEE "CONTACT DIMENSIONS".
- 8 TO BE MEASURED AT BOTTOM OF SHROUD.
- 9 CONNECTOR LUBRICATED WITH BELCORE APPROVED LUBRICANT,
 TECHNICAL REFERENCE: TR-NWT-001217 ISSUE 1, SEP 1992.

RECOMMENDED PCB-HOLE LAYOUT COMPONENT SIDE SHOWN

PLATED THRU HOLES PARAMETERS

REFERENCE APPLICATION SPECIFICATION



1	9	1-5188835-9
2	9	5188835-9
1		5188835-4
2		5188835-1
FINISH		PART NUMBER

THIS DRAWING IS A CONTROLLED DOCUMENT.		DIN B CARBO 07JAN05	Tyco Electronics Corporation Harrisburg, Pa 17105-3608	
DIMENSIONS: mm		07JAN05	G.SKIPPER	
TOLERANCES UNLESS OTHERWISE SPECIFIED:		07JAN05	NAME	
0 PLC	± -	PRODUCT SPEC		
1 PLC	± 0.1	108-19082		
2 PLC	± -	APPLICATION SPEC		
3 PLC	± -	114-19029		
4 PLC	± -	SIZE		
ANGLES	± -	CAGE CODE		
MATERIAL		DRAWING NO		RESTRICTED TO
3		A1 00779		5188835
SEE TABLE		WEIGHT		CUSTOMER DRAWING
		SCALE 4:1		SHEET 1 OF 1
				REV 0