

Distributed by:

**JAMECO**<sup>®</sup>  
ELECTRONICS

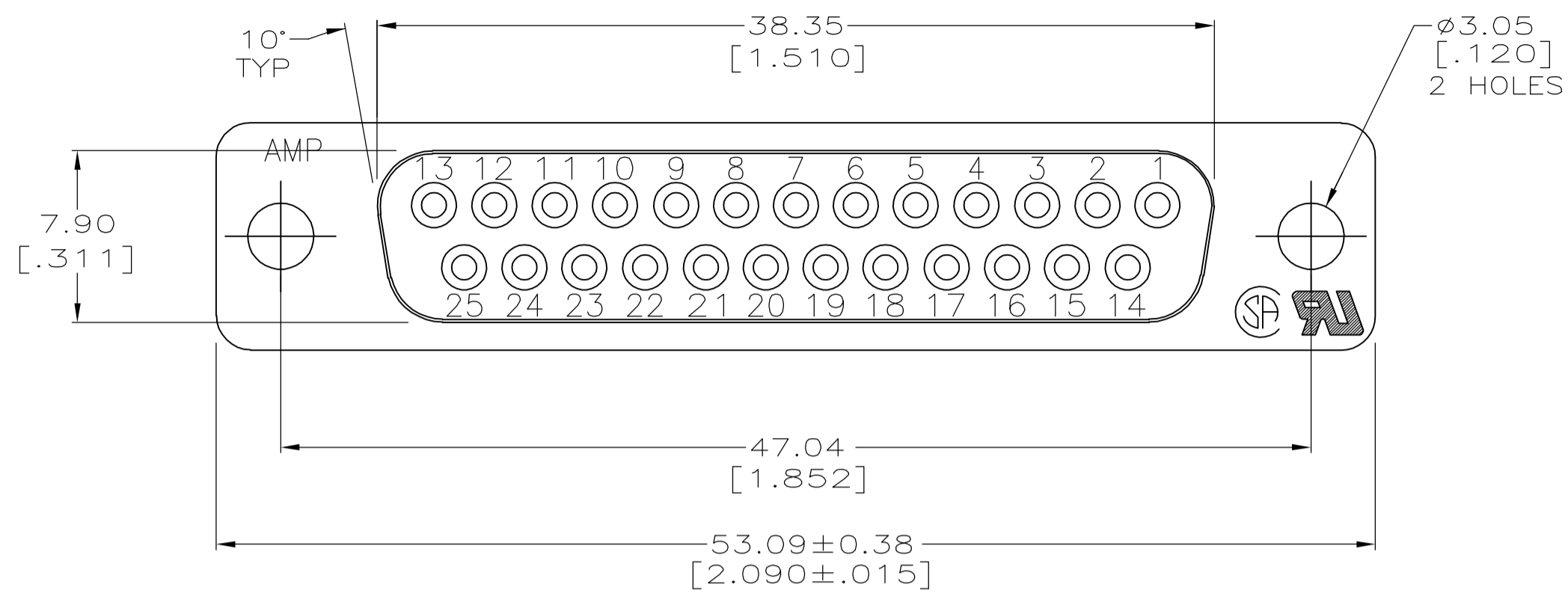
**www.Jameco.com ♦ 1-800-831-4242**

The content and copyrights of the attached  
material are the property of its owner.

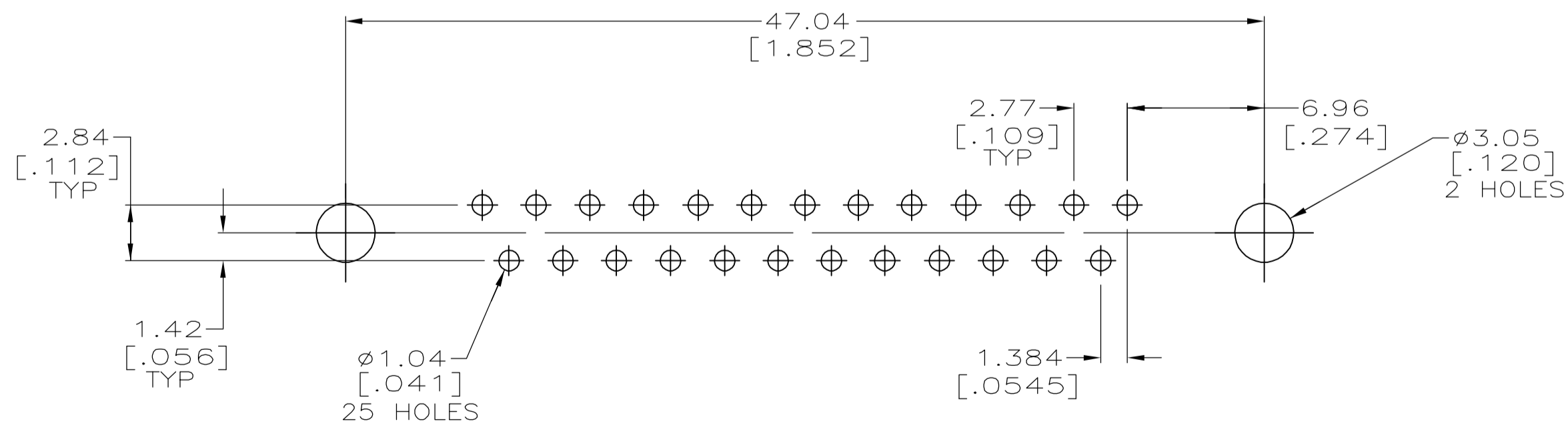
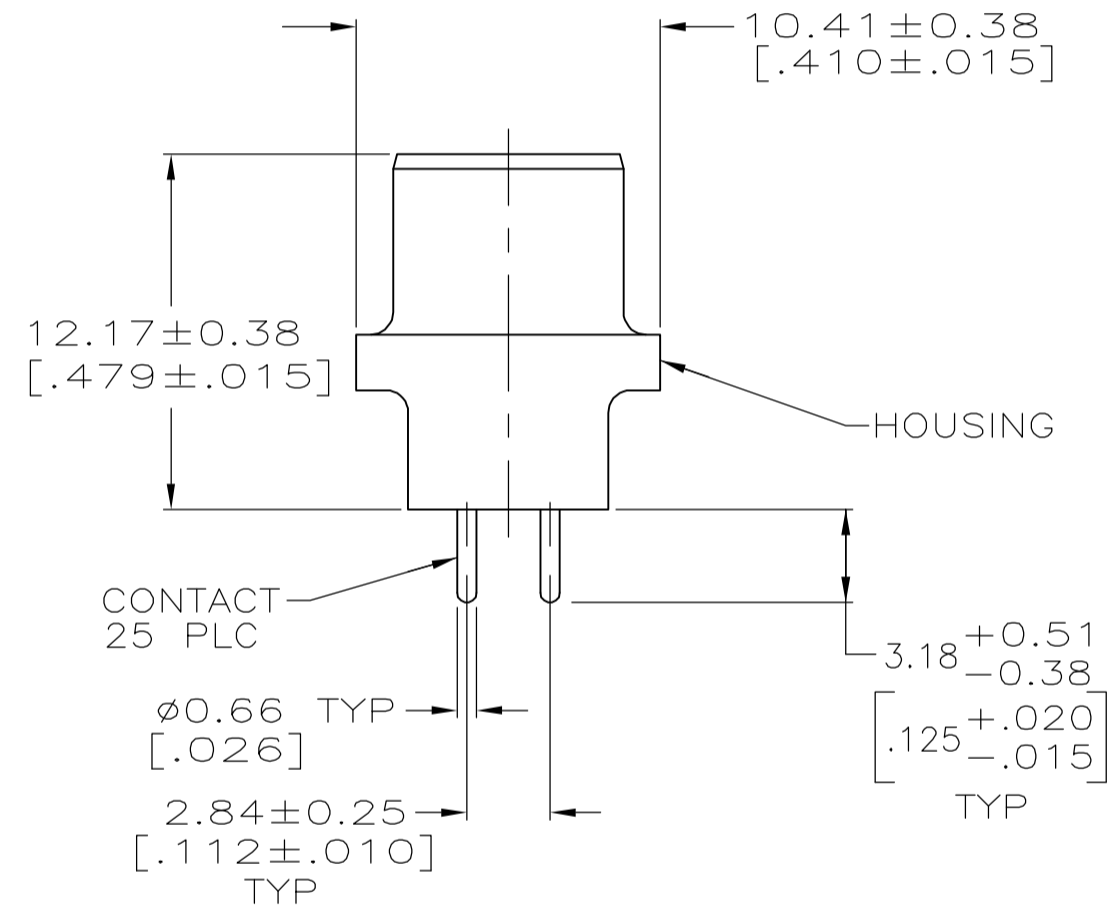
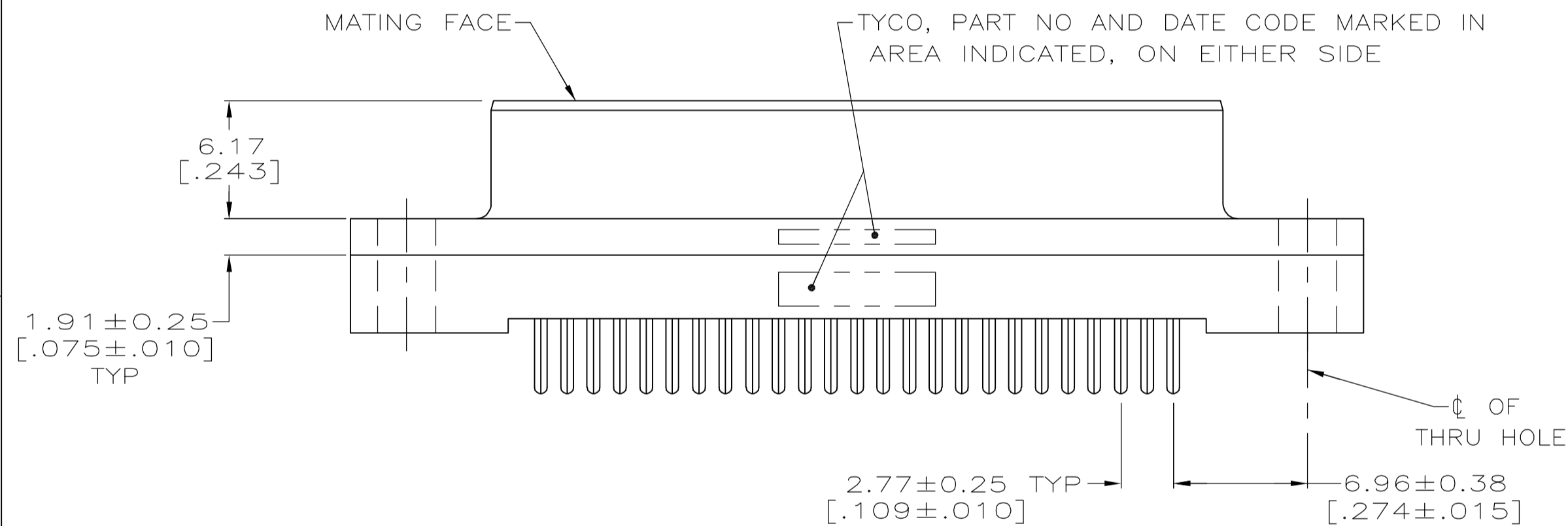
Jameco Part Number 753820

THIS DRAWING IS UNPUBLISHED. RELEASED FOR PUBLICATION  
 © COPYRIGHT BY TYCO ELECTRONICS CORPORATION. ALL RIGHTS RESERVED.

LOC		DIST		REVISIONS			
P	LTR	DESCRIPTION	DATE	DWN	APVD		
GP	00						
	0	RELEASED PER EC 0513-0087-05	08SEP05	GP	JG		



- 1 HOUSING: BLACK POLYESTER, UL 94V-0 RATED. CONTACTS: PHOSPHOR BRONZE.
- 2 GOLD FLASH FOR A LENGTH OF 2.54[.100] MIN FROM MATING END, 2.54µm[.000100] MIN TIN FOR A LENGTH OF 3.18[.125] FROM OPPOSITE END, ALL OVER 1.27µm[.000050] MIN NICKEL.
- 3 0.76µm[.000030] MIN GOLD FOR A LENGTH OF 2.54[.100] MIN FROM MATING END, 2.54µm[.000100] MIN TIN FOR A LENGTH OF 3.18[.125] FROM OPPOSITE END, ALL OVER 1.27µm[.000050] MIN NICKEL.



RECOMMENDED PC BOARD MOUNTING DIMENSIONS

**COPYRIGHT 2005  
 TYCO ELECTRONICS CORP  
 ALL RIGHTS RESERVED**

3	5207828-4
2	5207828-3
CONTACT FINISH	PART NO

THIS DRAWING IS A CONTROLLED DOCUMENT.		DWN G.PETERS 08SEP05	Tyco Electronics Corporation Harrisburg, PA 17105-3608	
DIMENSIONS: INCHES		CHK S.BOLASH 08SEP05		
TOLERANCES UNLESS OTHERWISE SPECIFIED:		APVD M.WALMSLEY 08SEP05	NAME	
0 PLC ± -		PRODUCT SPEC	RECEPTACLE ASSEMBLY, SIZE 3, 25 POSN, VERTICAL, AMPLIMITE HD-20	
1 PLC ± -		APPLICATION SPEC	108-40025	
2 PLC ± 0.13 [.005]			SIZE A2	CAGE CODE 00779
3 PLC ± -			DRAWING NO	5207828
4 PLC ± -			RESTRICTED TO	-
ANGLES ± 2°			SCALE 4:1	SHEET 1 of 1
MATERIAL	FINISH	WEIGHT -	CUSTOMER DRAWING	REV 0
1	CONTACTS: SEE TABLE			