

Distributed by:

JAMECO[®]
ELECTRONICS

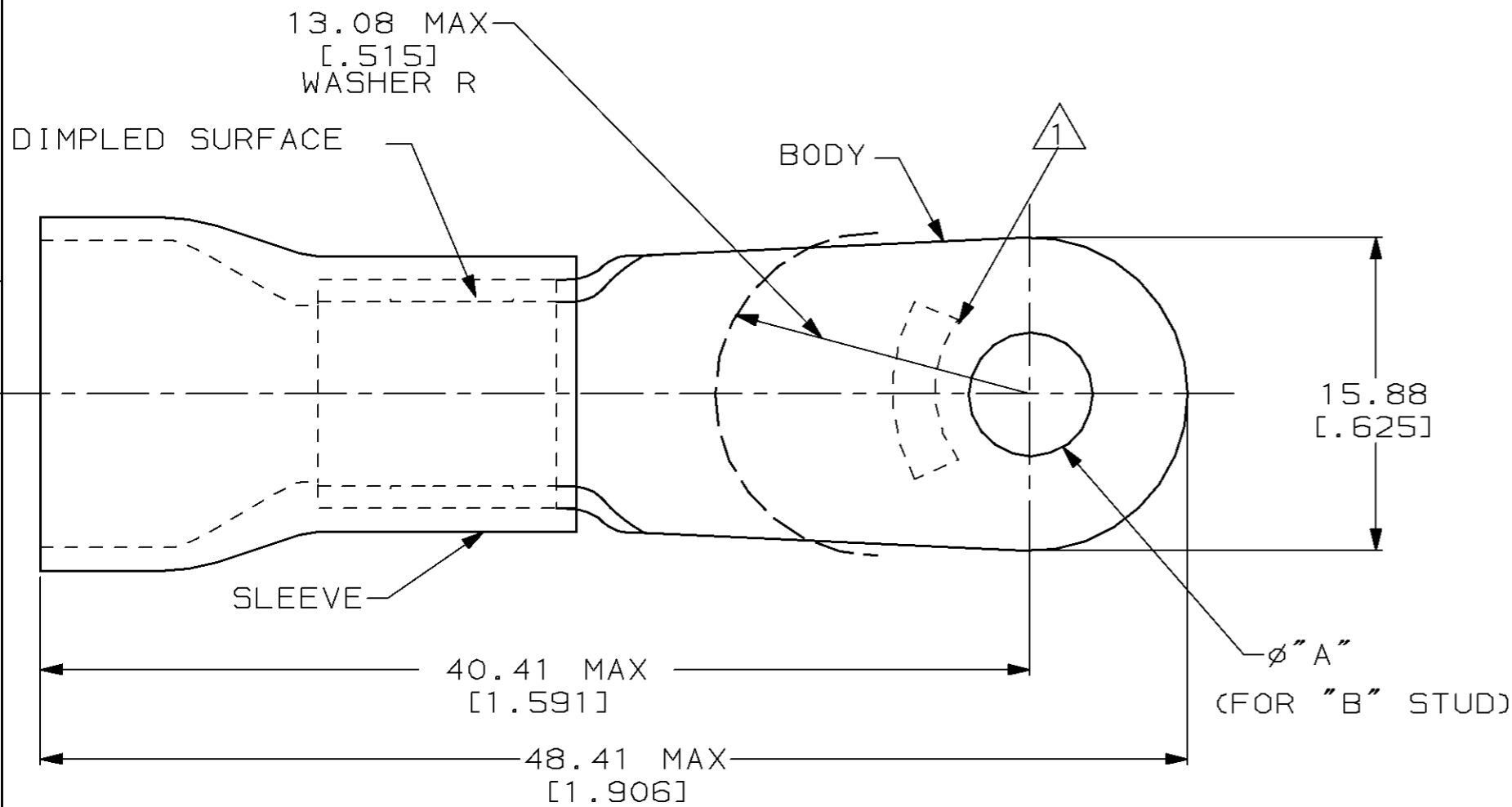
www.Jameco.com ♦ 1-800-831-4242

The content and copyrights of the attached
material are the property of its owner.

Jameco Part Number 753897

THIS DRAWING IS UNPUBLISHED. RELEASED FOR PUBLICATION, 19
 © COPYRIGHT 19 BY AMP INCORPORATED. ALL INTERNATIONAL RIGHTS RESERVED.

LOC	DIST	P	F	REVISIONS				
G	14			ZONE	LTR	DESCRIPTION	DATE	APPD
					T	REV / 0L20-0041-97	29MAY97	ME BB



AMP WIRE RANGE	RU FILE E13288	LR7189 Certified
6 AWG STRANDED	6 AWG STRANDED	6 AWG STRANDED

- NOTE:
1. STAMP AMP 6* LOCATE APPROX AS SHOWN
 2. TONGUE MATERIAL THK 1.14±0.08 [.045±.003]
 3. SEE TABLE FOR WIRE INSULATION DIA MAX
 4. FOREIGN PRODUCTION ONLY
 5. TAPE ITEMS ARE ON 30.48 [1.200] CENTERS

WIRE INSULATION DIA	"B"	"A"	QTY	PACKAGE TYPE	PART NO
11.43 [.450]	3/8	9.91±0.13 [.390±.005]	20	LOOSE PC, BOX SPL	9-52264-5
	5/16	8.33±0.13 [.328±.005]			8-52264-5
9.14 [.360]	3/8	9.91±0.13 [.390±.005]	500	ON TAPE	52264-5
	5/16	8.33±0.13 [.328±.005]			52264-4
11.43 [.450]	3/8	9.91±0.13 [.390±.005]	100	LOOSE PC	52264-3 ⁴
	5/16	8.33±0.13 [.328±.005]			52264-2 ⁴
					52264-1
					52264

AMP INCORPORATED CUSTOMER SERVICE SYSTEMS		MAX RECOMMENDED OPERATING TEMPERATURE: 90°C	DO NOT SCALE PRINT. UNLESS SPECIFIED DIMENSIONS IN mm [INCHES] TOLERANCES ON: 2 PLC DEC ± 0.20 [.008] 3 PLC DEC ± - ANGLES ± -	DR 9-29-93 S.S. GOULDEN CHK 9-29-93 R. HERSEY APPD 9-29-93 B.BARE APPD 9-29-93 M. ELLIS PRODUCT SPEC NOT AVAILABLE APPLICATION SPEC NOT AVAILABLE WEIGHT -	AMP AMP Incorporated Harrisburg, PA 17105-3608 NAME TERMINAL, RING TONGUE, PLASTI-GRIP™, WIRE SIZE, 6 AWG	
FOR ADDITIONAL PRODUCT INFORMATION OR COPIES OF DRAWINGS AND TECHNICAL DOCUMENTS	PRODUCT INFORMATION CENTER 1-800-522-6752	VOLTAGE RATING: 600 V MAX	MATERIAL COPPER PER ASTM B-152 PVC, COLOR, BLUE		SIZE B	CAGE CODE 00779
FOR APPLICATION TOOLING INFORMATION	TOOLING ASSISTANCE CENTER 1-800-722-1111	CIRCULAR MIL AREA: 10.54-16.77mm² [20,800-33,100] STRANDED	FINISH TIN PLATE PER MIL-T-10727		DRAWING NO C-52264	
FOR ORDER ENTRY	1-800-526-5142	THIS DRAWING IS A CONTROLLED DOCUMENT FOR AMP INCORPORATED. IT IS SUBJECT TO CHANGE AND THE CONTROLLING ENGINEERING ORGANIZATION SHOULD BE CONTACTED FOR THE LATEST REVISION.			SCALE NTS	SHEET 1 OF 1