

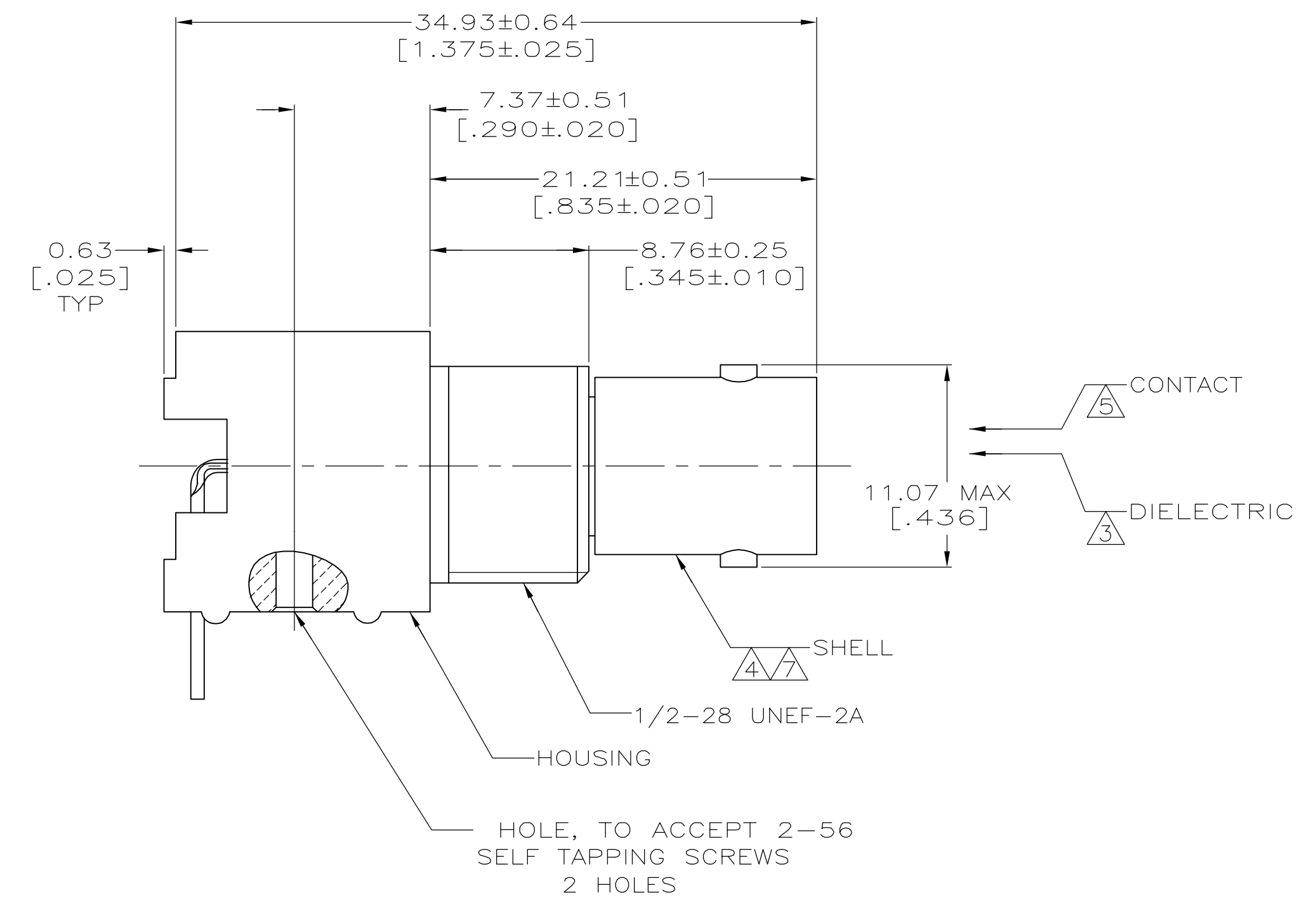
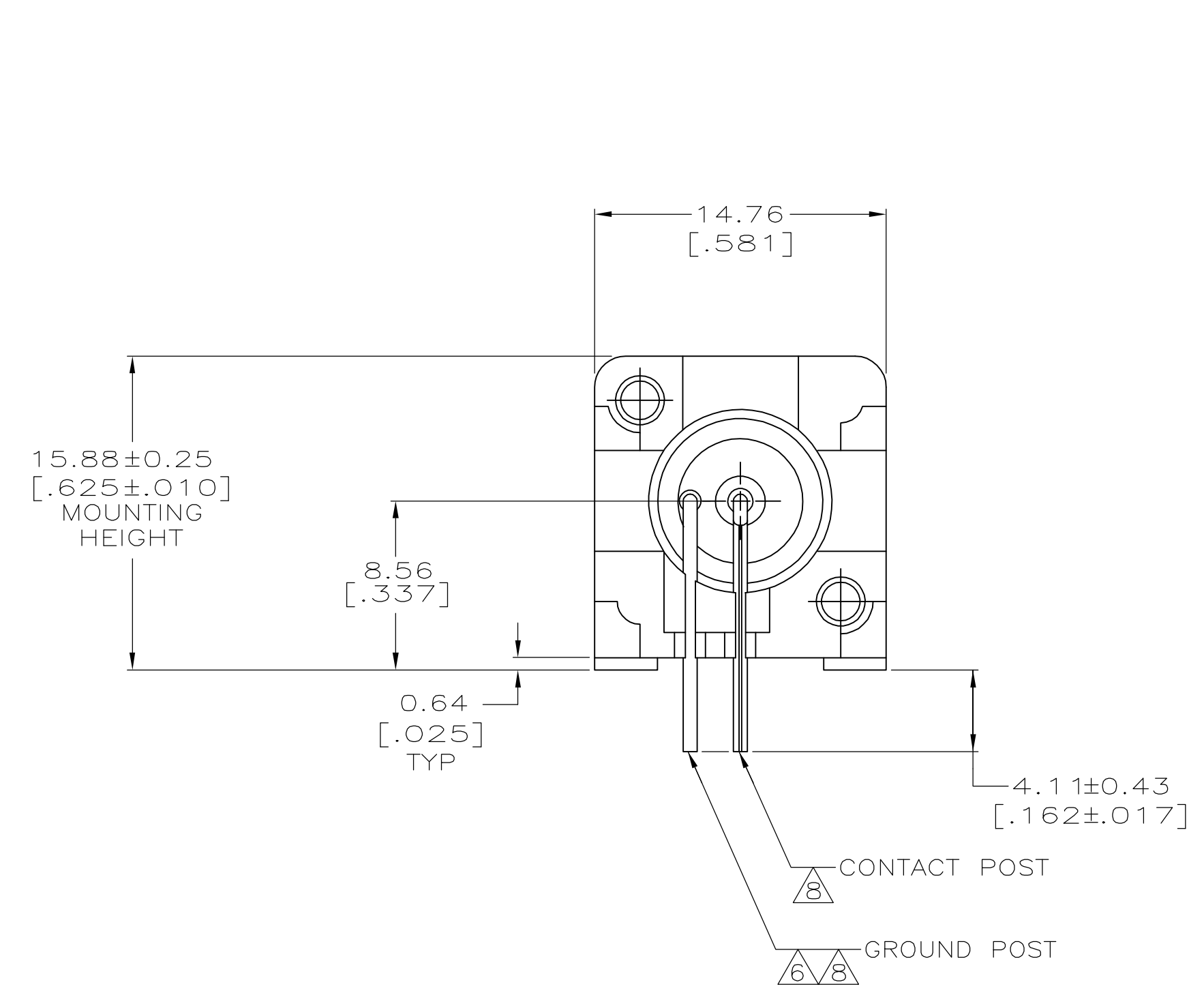
Distributed by:

JAMECO[®]
ELECTRONICS

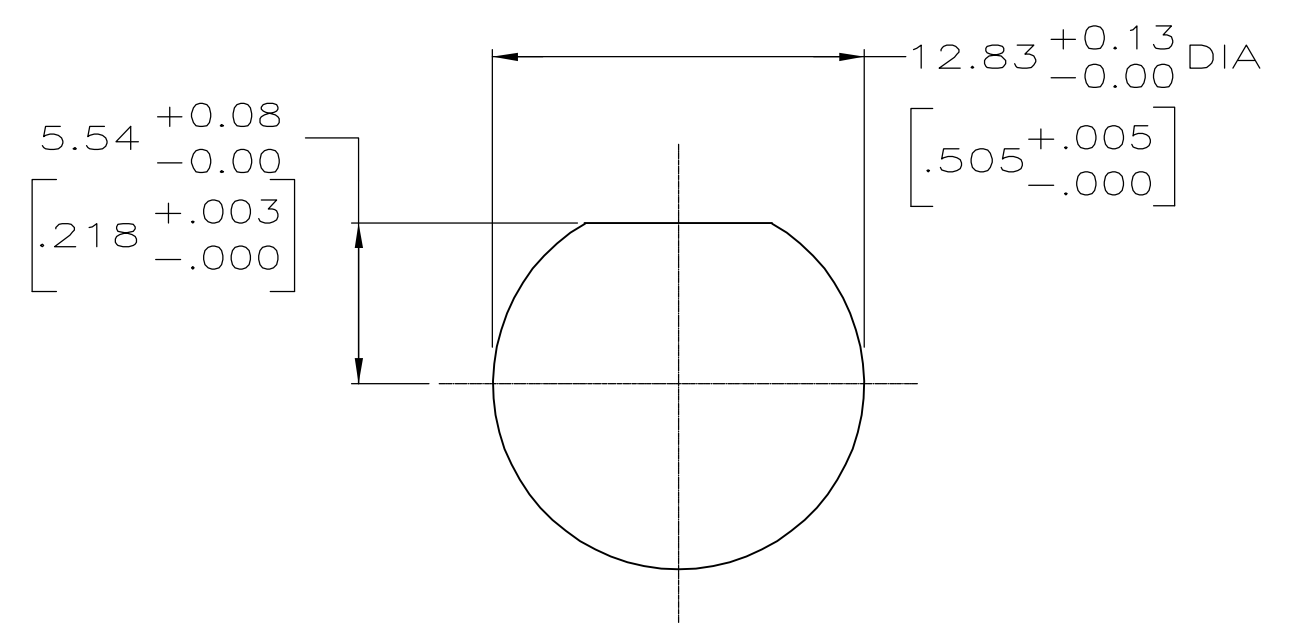
www.Jameco.com ♦ 1-800-831-4242

The content and copyrights of the attached
material are the property of its owner.

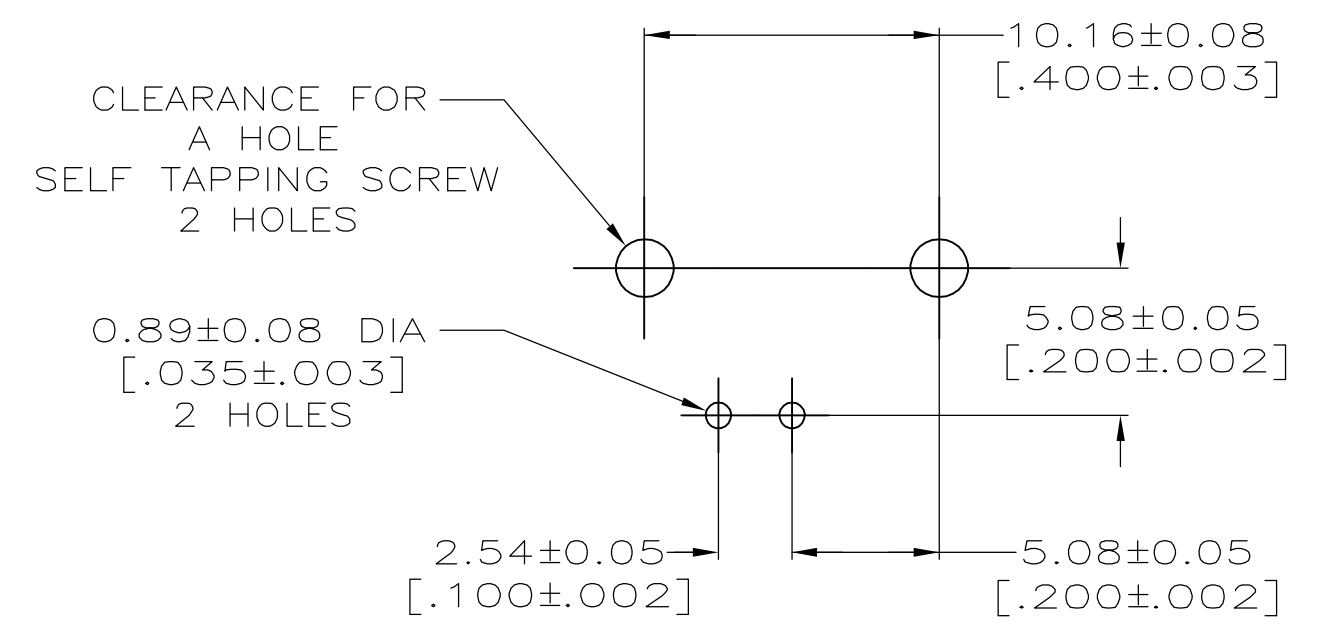
Jameco Part Number 753918



- 1 POLYESTER PBT PER MIL-M-24519, TYPE GPT-15F, UL94V-0 RATED, COLOR:NATURAL
 - 2 POLYESTER PBT PER MIL-M-24519, TYPE GPT-15F, UL94V-0 RATED, COLOR:BLACK
 - 3 POLYMETHYLPENTENE, GENERAL PURPOSE.
 - 4 ZINC PER QQ-Z-363.
 - 5 PHOSPHOR BRONZE PER QQ-B-750.
 - 6 BRASS PER ASTM-B-453.
 - 7 NICKEL PLATE PER QQ-N-290, 3.81 μm [.000150] MINIMUM THICK.
 - 8 TIN PLATE PER ASTM-B-545, 3.81 μm [.000150] MINIMUM THICK.
 - 9 GOLD PLATE PER MIL-G-45204, 0.76 μm [.000030] MINIMUM THICK.
10. SEE INSTRUCTION SHEET 408-2769.



RECOMMENDED PANEL CUTOUT



PCB CONFIGURATION

9	2	5226990-6
9	1	5226990-3
8	1	5226990-1
CONTACT PLATING	HOUSING MATERIAL	PART NUMBER

THIS DRAWING IS A CONTROLLED DOCUMENT.

DIMENSIONS: mm(INCHES)	TOLERANCES UNLESS OTHERWISE SPECIFIED:	DWN L VARELA - DOCK5 20APR2005	CHK J HAVENER 20APR2005	APVD S BURKHOLDER 20APR2005	NAME
0 PLC ± -	1 PLC ± -	2 PLC ± 0.20 [008]	3 PLC ± -	4 PLC ± -	ANGLES ± -
MATERIAL 1 THRU 6	FINISH 7 THRU 9	WEIGHT -	SIZE A1	CAE CODE 00779	DRAWING NO C=5226990
CUSTOMER DRAWING			SCALE 4:1	SHEET 1 OF 1	REV A

tyco Tyco Electronics Corporation
Harrisburg, Pa 17105-3608

PRODUCT SPEC: 108-12078
APPLICATION SPEC: -

JACK, PANEL, RIGHT ANGLE, 50 OHM, PCB, SERIES BNC