

Distributed by:

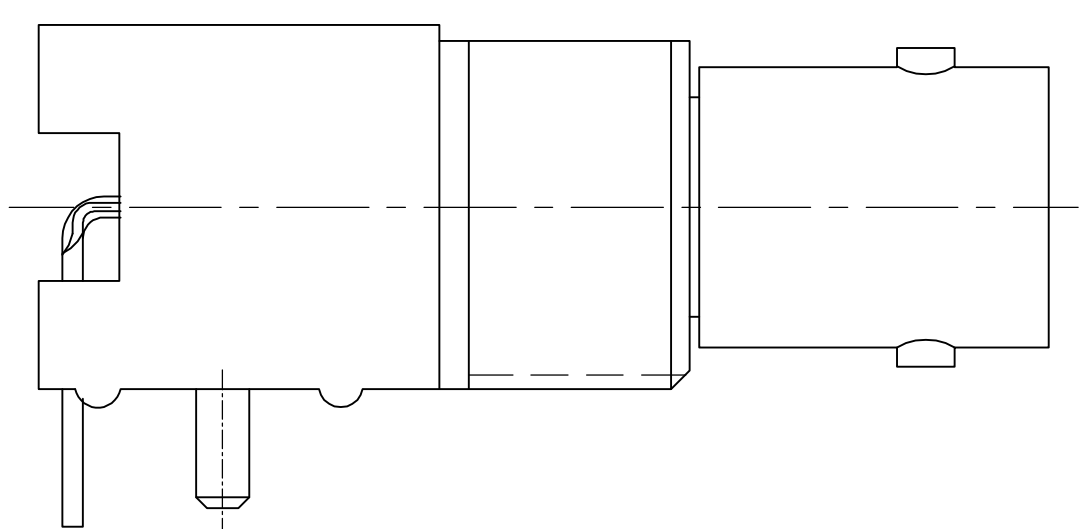
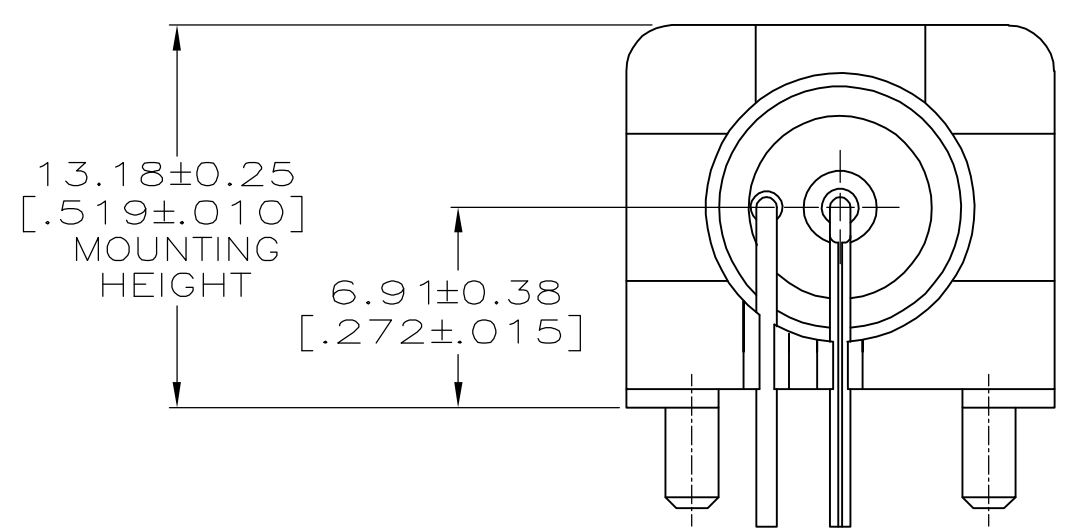
**JAMECO**<sup>®</sup>  
ELECTRONICS

**www.Jameco.com ♦ 1-800-831-4242**

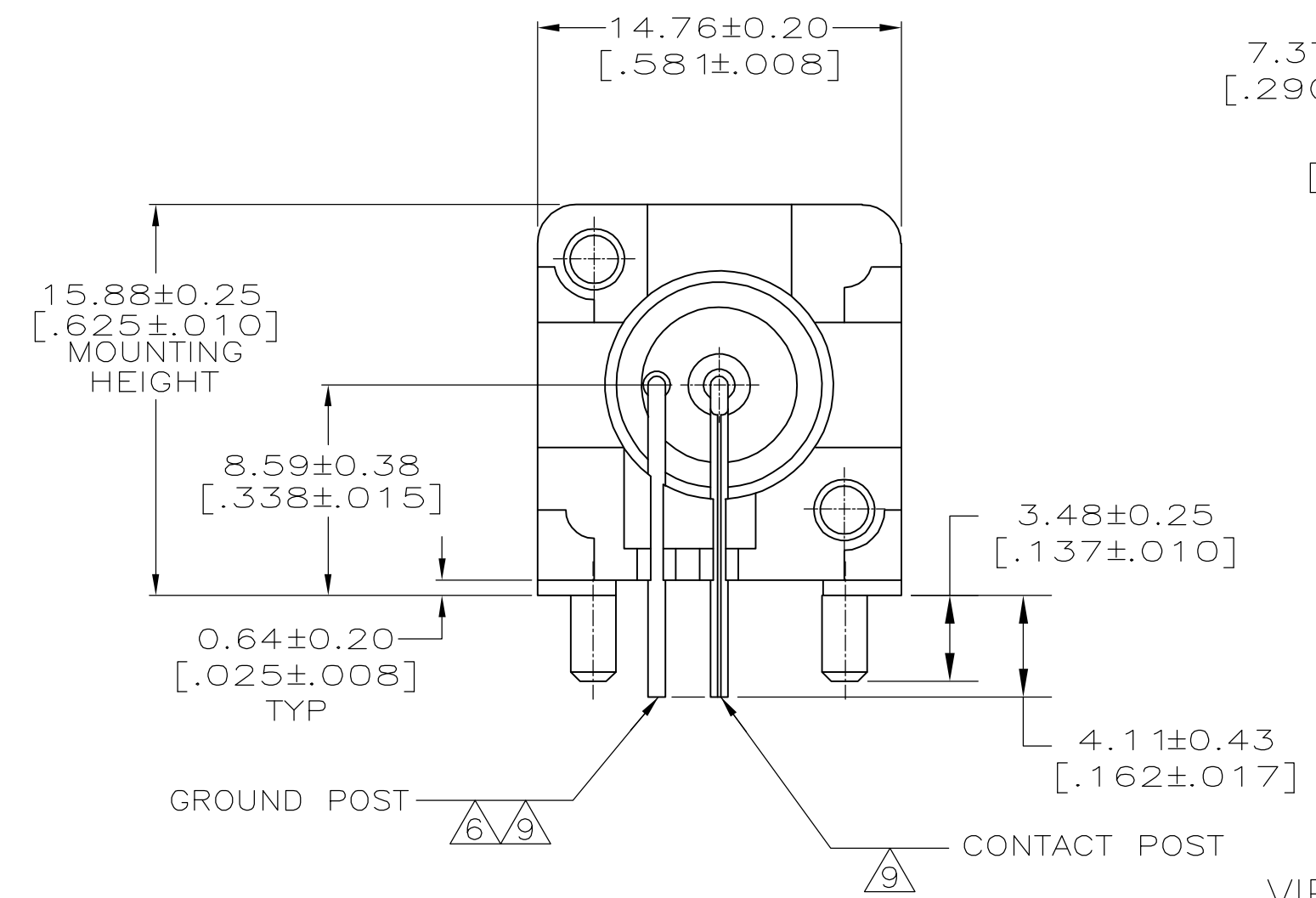
The content and copyrights of the attached  
material are the property of its owner.

Jameco Part Number 753926

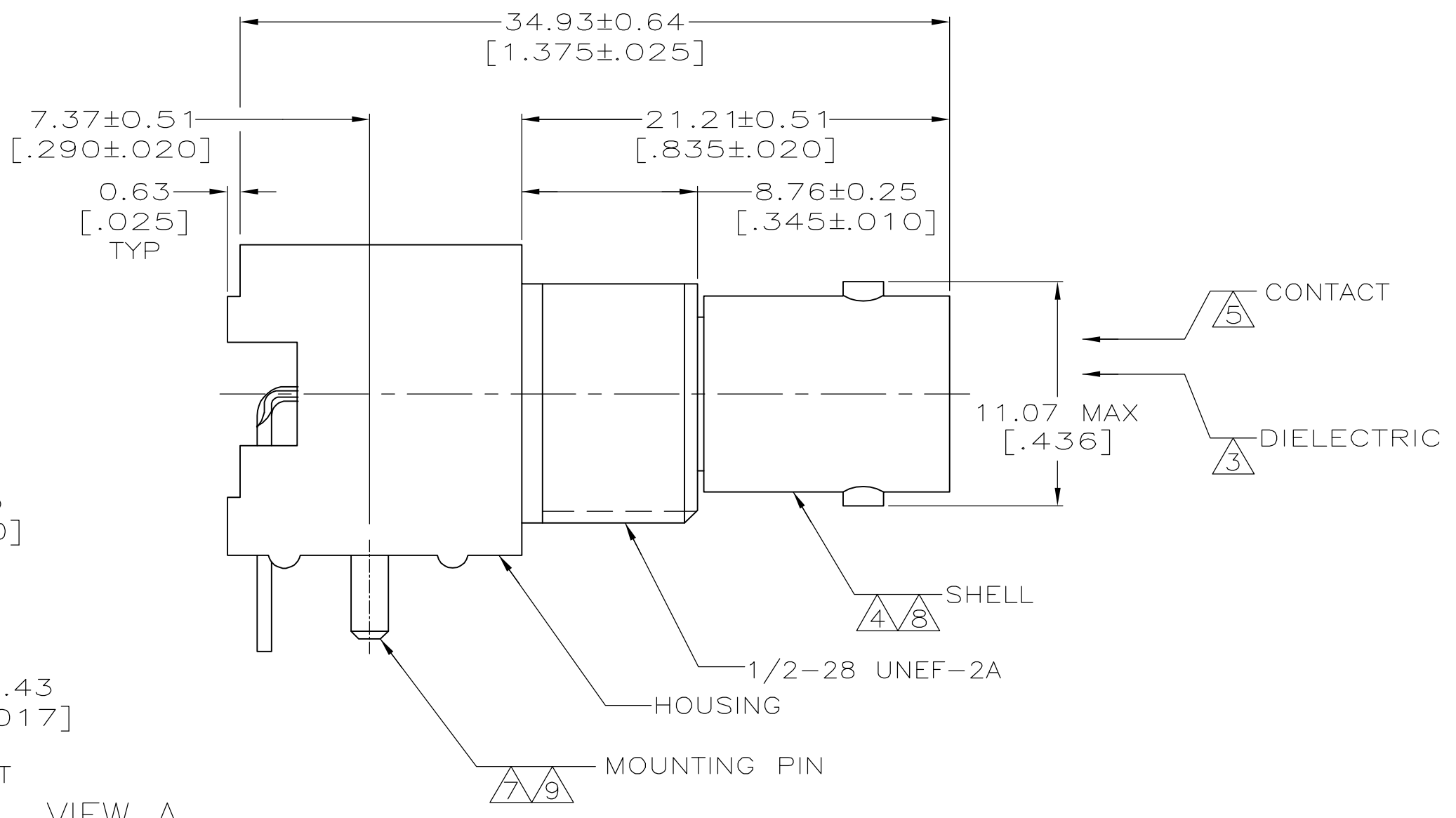
LOC	DIST	REVISIONS			
P	LTR	DESCRIPTION	DATE	DWN	APPD
AJ	16	A	REVISED PER EC OS14-0150-05	30AUG05	BM JL



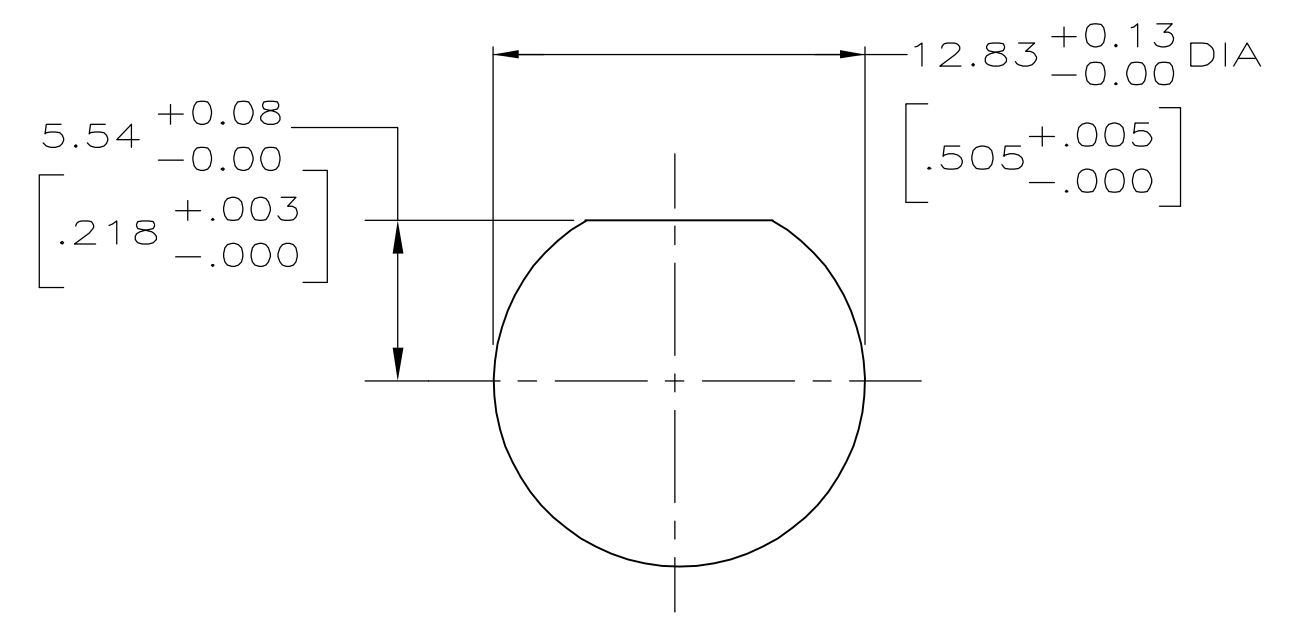
VIEW C  
(SAME AS VIEW A EXCEPT AS SHOWN)



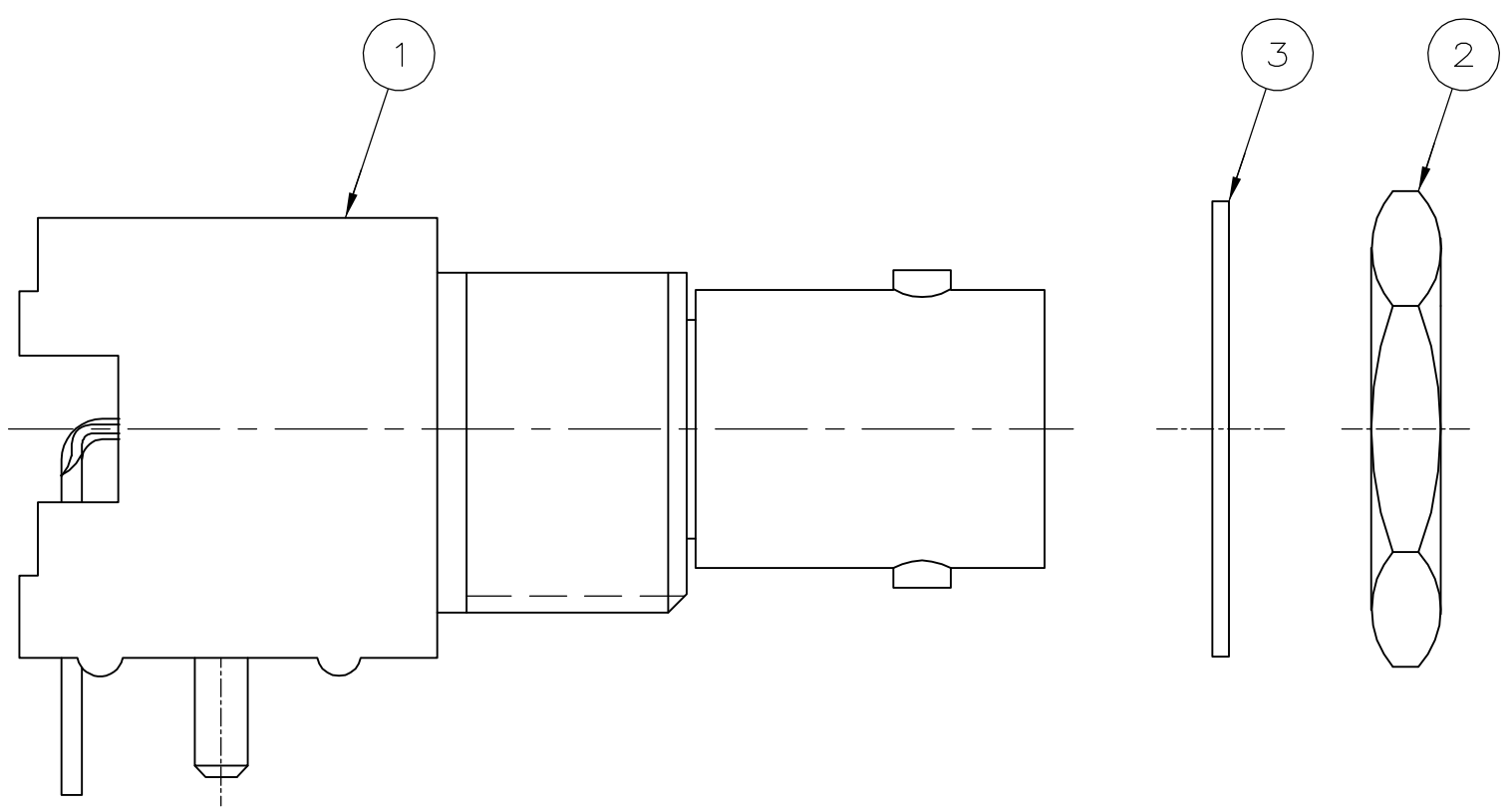
VIEW A



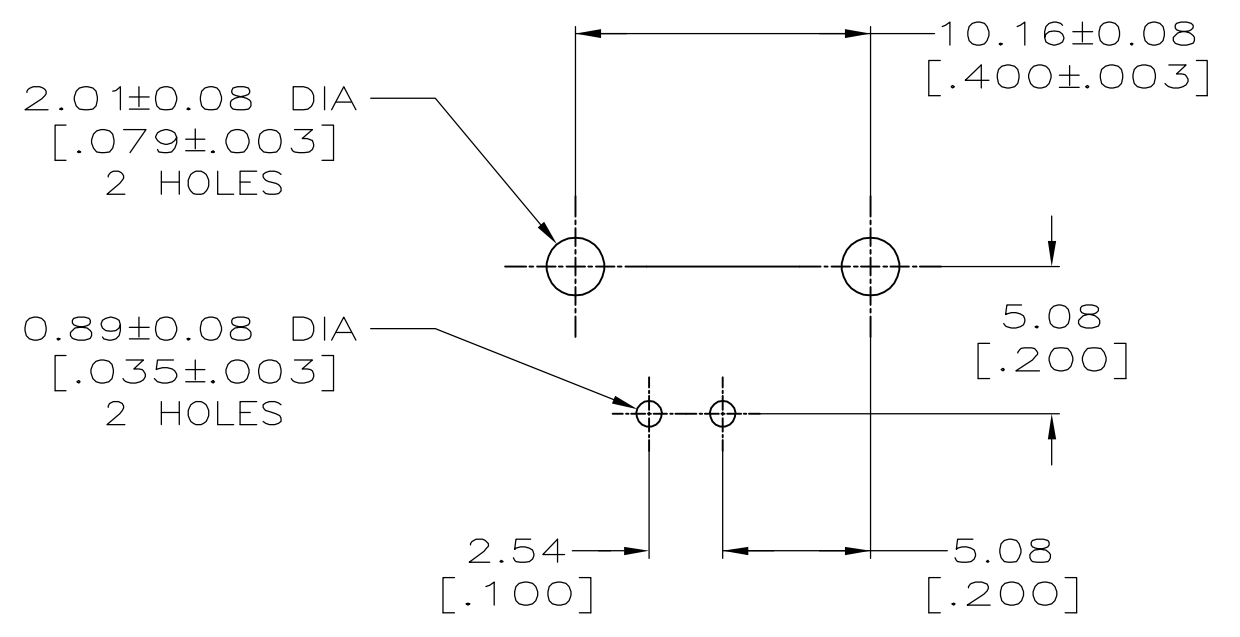
- 1 POLYESTER PBT PER MIL-M-24519, TYPE GPT-15F, UL94V-0 RATED, COLOR:WHITE
- 2 POLYESTER PBT PER MIL-M-24519, TYPE GPT-15F, UL94V-0 RATED, COLOR:BLACK
- 3 POLYMETHYLPENTENE, GENERAL PURPOSE.
- 4 ZINC PER QQ-Z-363.
- 5 PHOSPHOR BRONZE PER QQ-B-750.
- 6 BRASS PER ASTM-B-453.
- 7 BRASS PER ASTM-B-16.
- 8 NICKEL PLATE PER QQ-N-290, 3.81 μm [.000150] MINIMUM THICK.
- 9 TIN PLATE PER ASTM-B-545, 3.81 μm [.000150] MINIMUM THICK.
- 10 GOLD PLATE PER MIL-G-45204, 0.76 μm [.000030] MINIMUM THICK.
- 11 GOLD PLATE PER MIL-G-45204, 1.27 μm [.000050] MINIMUM THICK.
- 12. SEE INSTRUCTION SHEET 408-2769.



RECOMMENDED PANEL CUTOUT



VIEW B



PCB CONFIGURATION

CONTACT FINISH	HOUSING MATERIAL	VIEW	LOCKWASHER	JAM NUT QTY=1	ASSEMBLY QTY=1	PART NUMBER
-	-	B	1-329632-2	1-329631-2	5227161-9	1-5227161-7
-	-	B	1-329632-2	1-329631-2	5227161-6	1-5227161-6
10	10	C	-	-	-	1-5227161-5
10	10	C	-	-	-	5227161-9
10	10	C	-	-	-	5227161-7
10	10	A	-	-	-	5227161-6
10	10	A	-	-	-	5227161-3
9	9	A	-	-	-	5227161-2
9	9	A	-	-	-	5227161-1

THIS DRAWING IS A CONTROLLED DOCUMENT.

DIMENSIONS: mm[INCHES]	TOLERANCES UNLESS OTHERWISE SPECIFIED:	0 PLC ± -	1 PLC ± -	2 PLC ± 0.05 [002]	3 PLC ± -	4 PLC ± -	ANGLES ± -	FINISH	
MATERIAL		FINISH		WEIGHT		SCALE		SHEET	

DWN: L. VARELA - DOCK5  
 CHK: J. HAVENER  
 APVD: S. BURKHOLDER  
 PRODUCT SPEC: 108-12078  
 APPLICATION SPEC: -  
 SIZE: A1  
 CASE CODE: 00779  
 DRAWING NO: 5227161  
 RESTRICTED TO: -  
 CUSTOMER DRAWING  
 SCALE: 4:1  
 SHEET: 1 OF 1  
 REV: A