

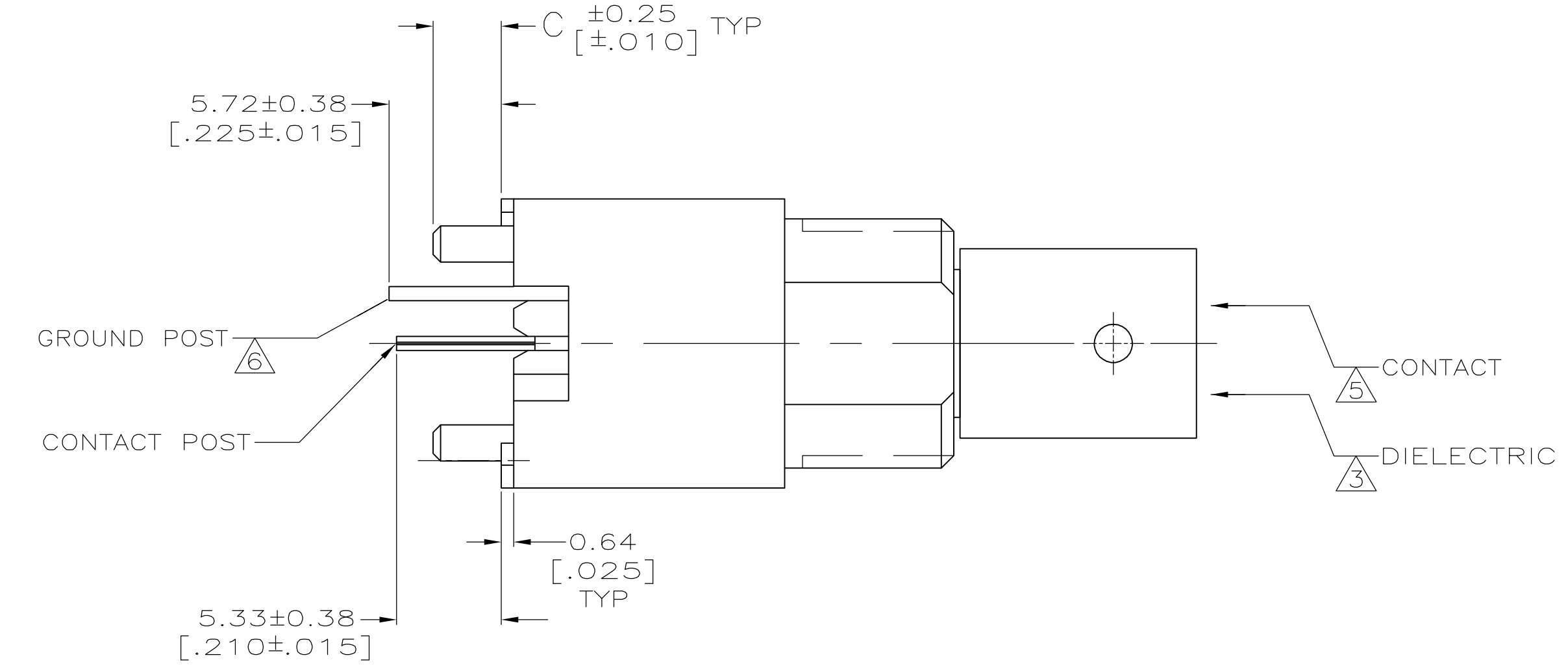
Distributed by:

**JAMECO**<sup>®</sup>  
ELECTRONICS

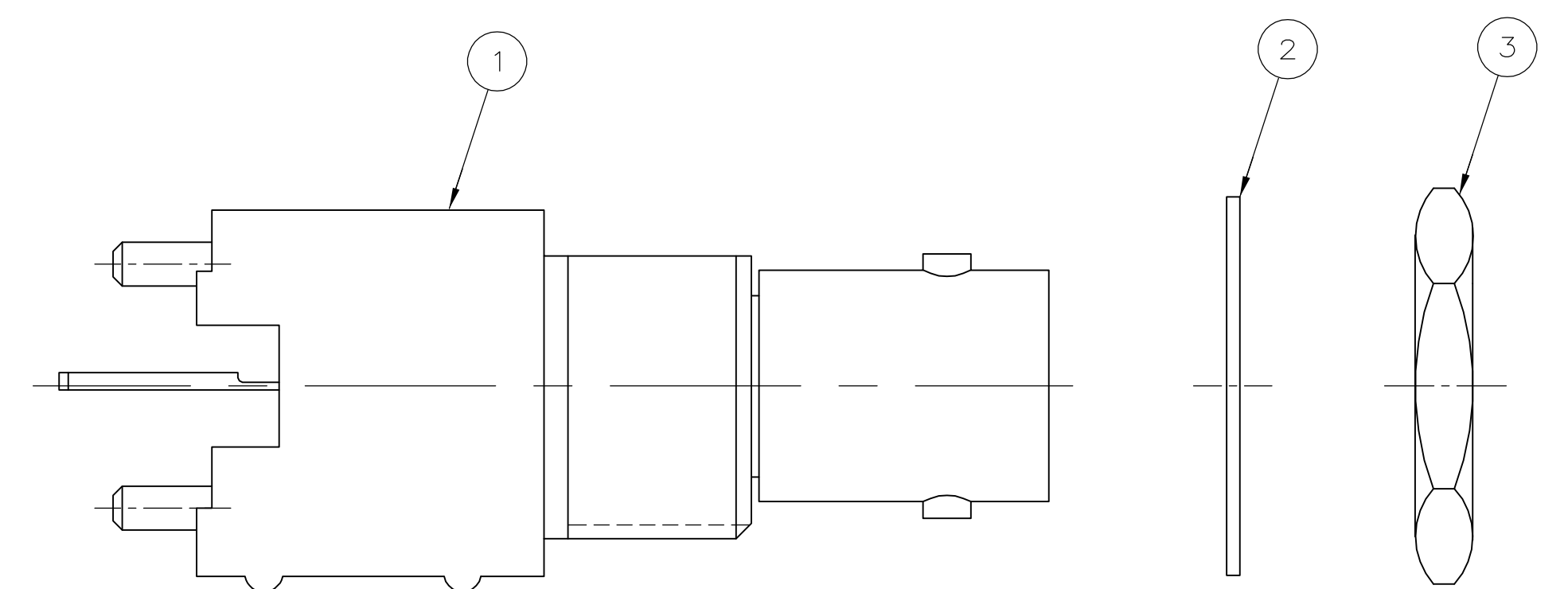
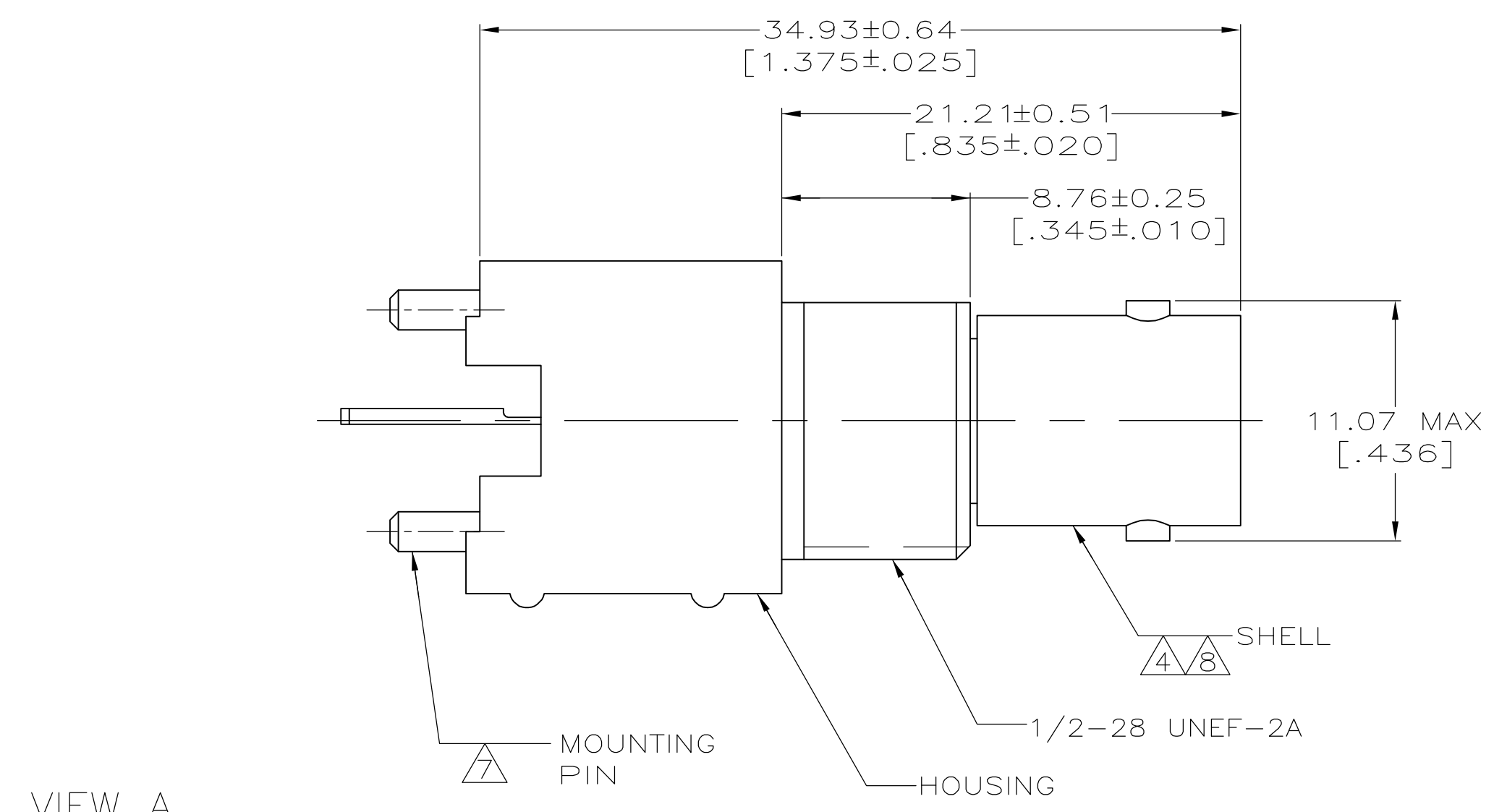
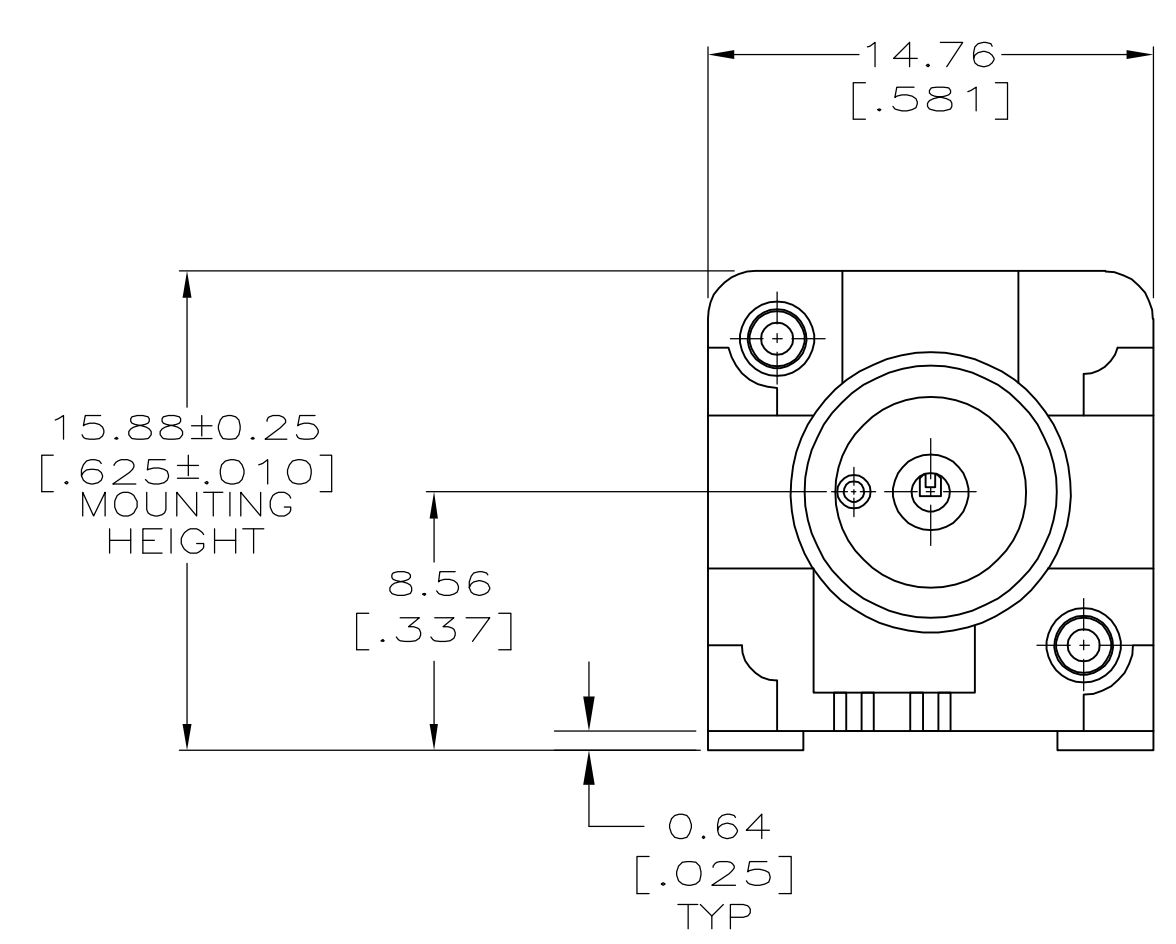
**www.Jameco.com ♦ 1-800-831-4242**

The content and copyrights of the attached  
material are the property of its owner.

Jameco Part Number 753942

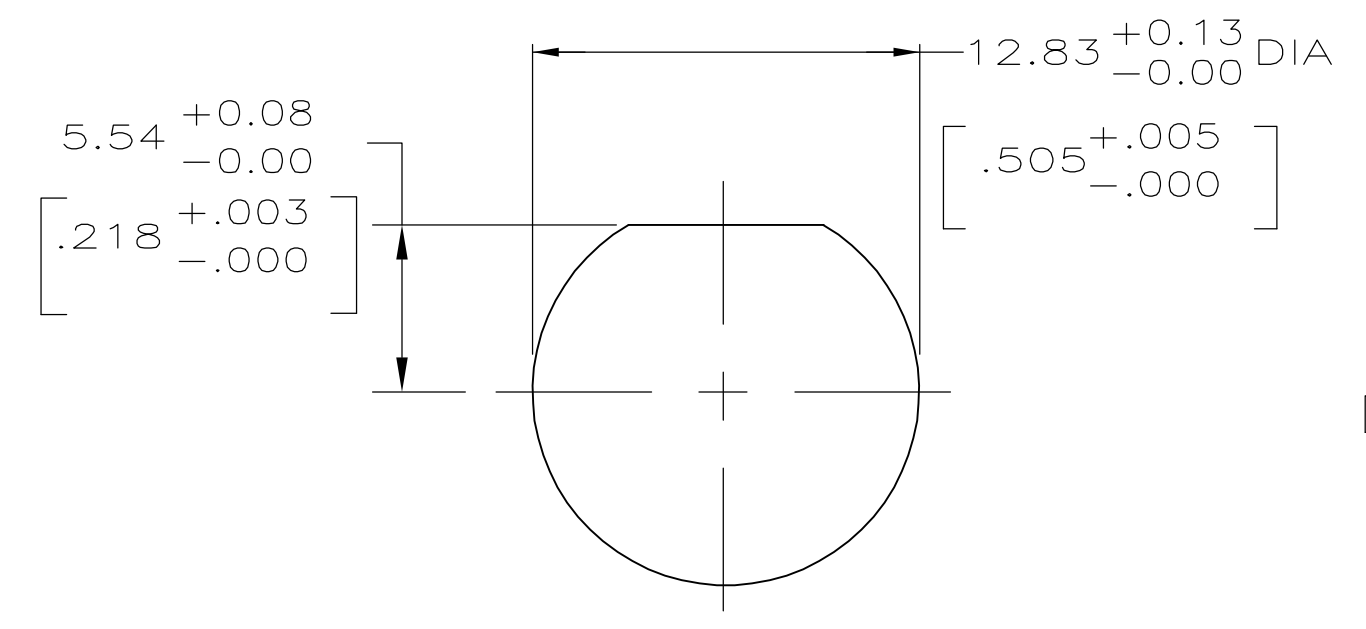


- 1 POLYESTER PBT PER MIL-M-24519, TYPE GPT-15F, UL94V-0 RATED, COLOR: NATURAL
- 2 POLYESTER PBT PER MIL-M-24519, TYPE GPT-15F, UL94V-0 RATED, COLOR: BLACK
- 3 POLYMETHYLPENTENE, GENERAL PURPOSE.
- 4 ZINC PER QQ-Z-363.
- 5 PHOSPHOR BRONZE PER QQ-B-750.
- 6 BRASS PER ASTM-B-453.
- 7 BRASS PER ASTM-B-16.
- 8 NICKEL PLATE PER QQ-N-290, 3.81 μm [.000150] MINIMUM THICK.
- 9 TIN PLATE PER ASTM-B-545, 3.81 μm [.000150] MINIMUM THICK.
- 10 GOLD PLATE PER MIL-G-45204, 0.76 μm [.000030] MINIMUM THICK.
- 11. SEE INSTRUCTION SHEET 408-2769.

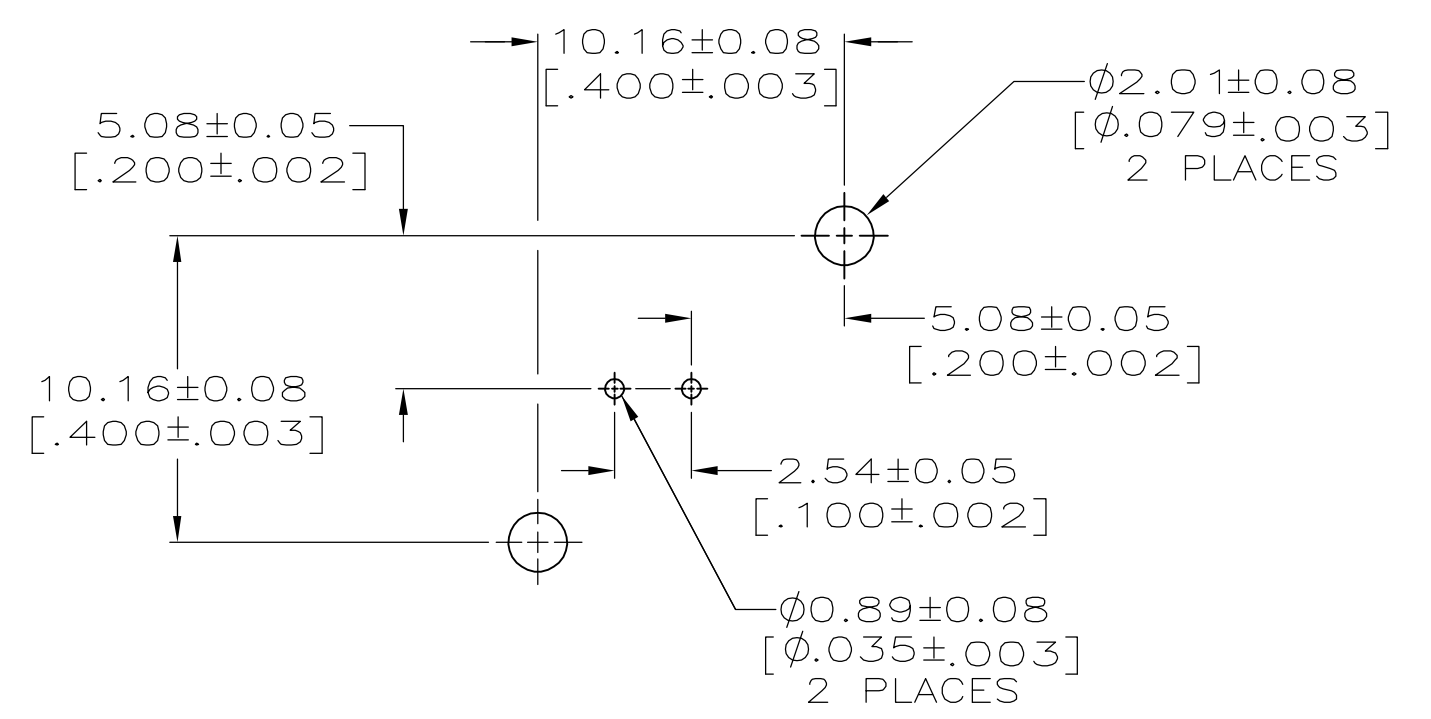


VIEW A

VIEW B



RECOMMENDED PANEL CUTOUT



PCB CONFIGURATION

						B	1-329631-2	1-329632-2	5227222-6	5227222-9
3.48 [.137]						A	-	-	-	5227222-6
3.48 [.137]						A	-	-	-	5227222-3
3.48 [.137]						A	-	-	-	5227222-2
3.48 [.137]						A	-	-	-	5227222-1
C	MOUNTING PIN PLATING	GROUND POST PLATING	CONTACT POST PLATING	CONTACT PLATING	HOUSING MATERIAL	VIEW	3 JAM NUT QTY=1	2 LOCKWASHER QTY=1	1 ASSEMBLY QTY=1	PART NUMBER

THIS DRAWING IS A CONTROLLED DOCUMENT.

DIMENSIONS: mm (INCHES)

TOLERANCES UNLESS OTHERWISE SPECIFIED:

0 PLC	±	-
1 PLC	±	-
2 PLC	±	0.20 [.008]
3 PLC	±	-
4 PLC	±	-
ANGLES	±	-
FINISH	AA	AA

MATERIAL:

THIS DRAWING IS A CONTROLLED DOCUMENT. DWG: J. ALCORTA - 26APR2005. CHK: J. HAVENER - 26APR2005. APD: J. LIPPERT - 26APR2005. NAME: Tyco Electronics Corporation, Harrisburg, Pa 17105-3608. PRODUCT SPEC: 108-12078. APPLICATION SPEC: -. SIZE: A1. CAGE CODE: 00779. DRAWING NO: 5227222. RESTRICTED TO: -. WEIGHT: -. CUSTOMER DRAWING. SCALE: 4:1. SHEET: 1 OF 1. REV: A.