

Distributed by:

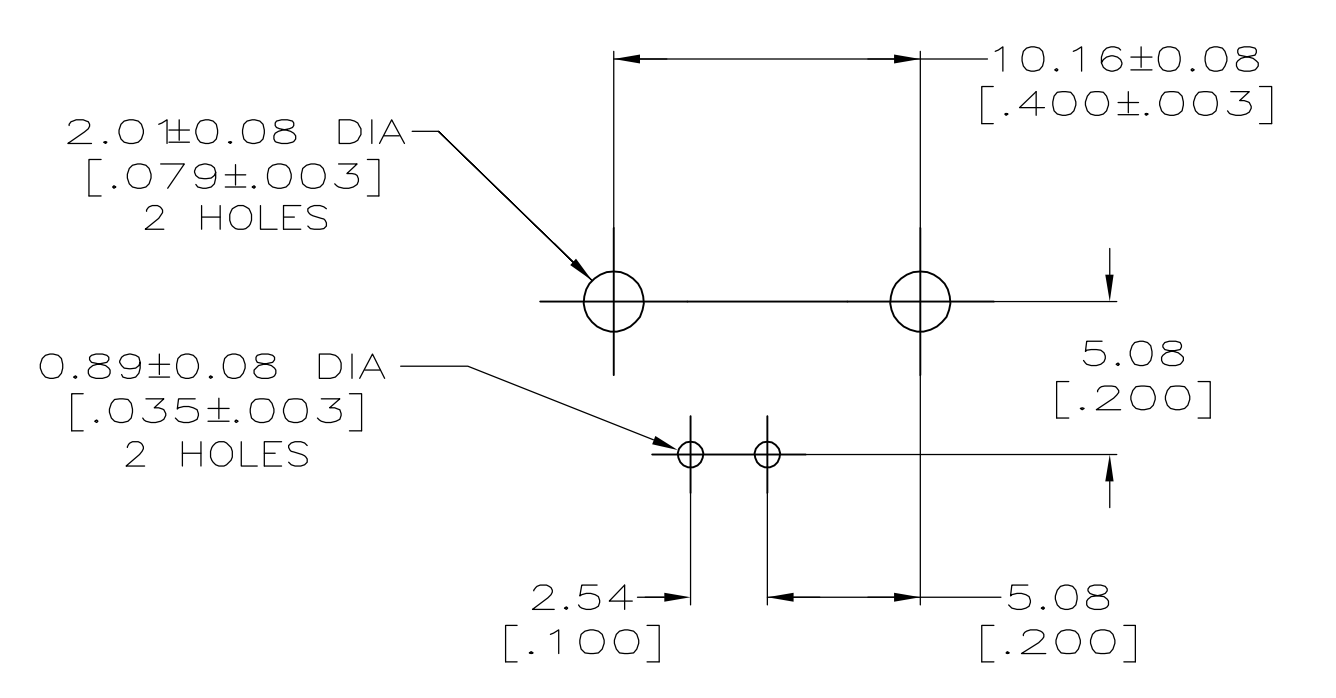
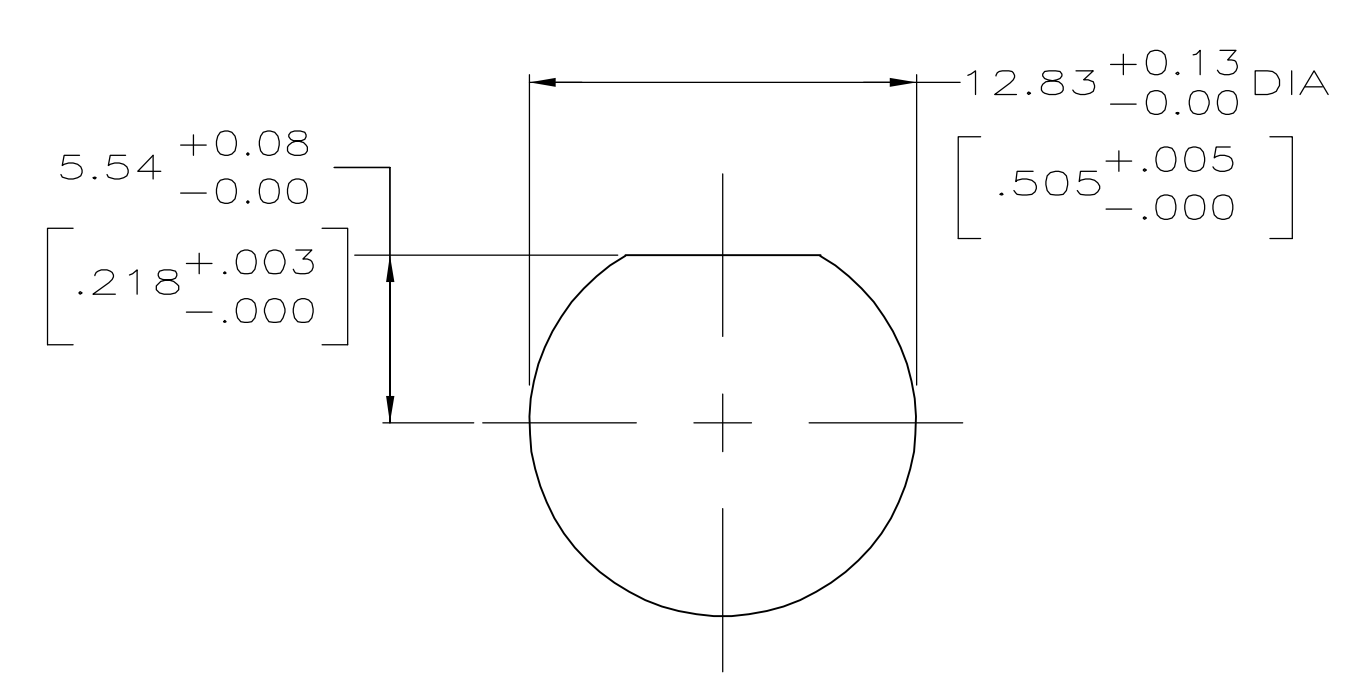
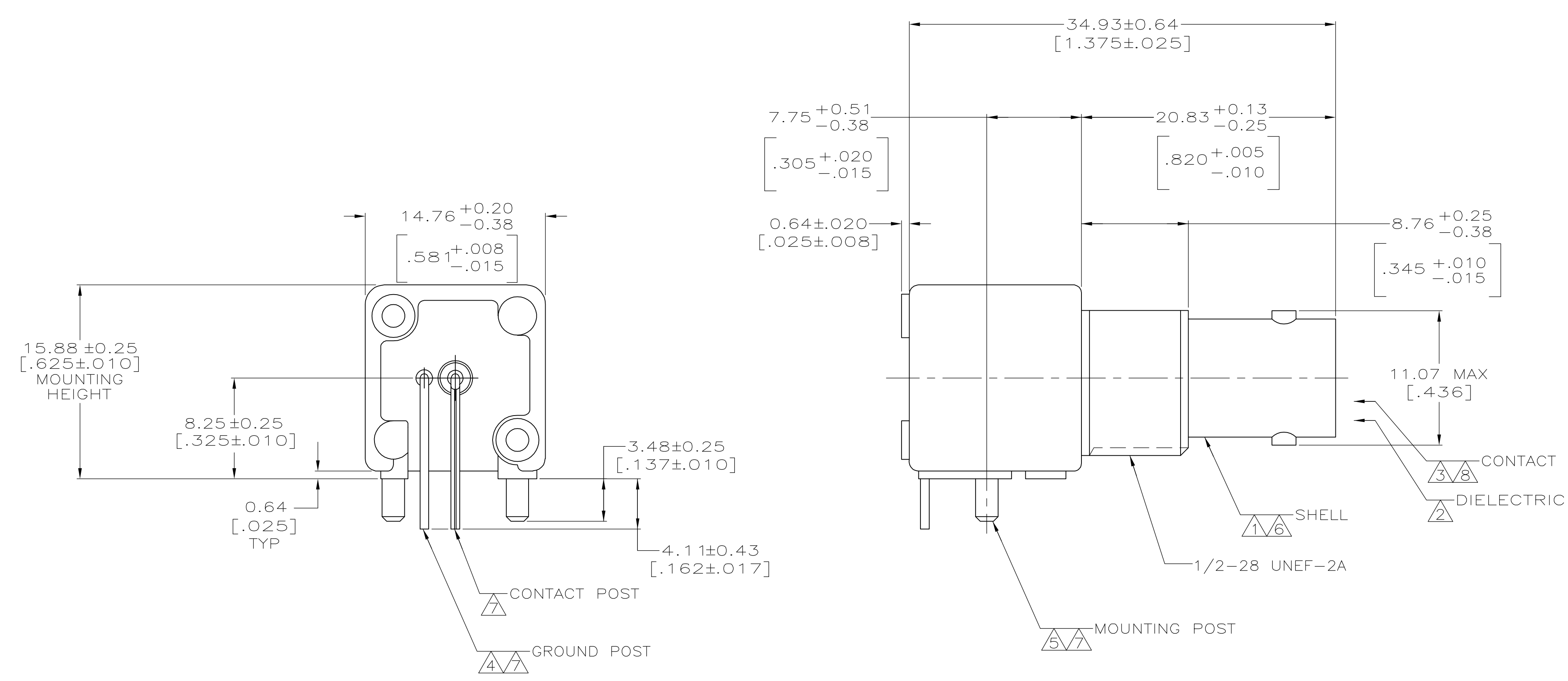
JAMECO[®]
ELECTRONICS

www.Jameco.com ♦ 1-800-831-4242

The content and copyrights of the attached
material are the property of its owner.

Jameco Part Number 753969

- 1 ZINC PER QQ-Z-363.
- 2 POLYMETHYLPENTENE PER ASTM D 1238.
- 3 PHOSPHOR BRONZE PER QQ-B-750.
- 4 BRASS PER ASTM B 453.
- 5 BRASS PER ASTM B 16.
- 6 NICKEL PLATE PER QQ-N-290, 3.81µm [.000150] MINIMUM THICK.
- 7 TIN PLATE PER ASTM B 545, 3.81µm [.000150] MINIMUM THICK.
- 8 GOLD PLATE PER ASTM B 488, 0.76µm [.000030] MINIMUM THICK.
- 9. SEE INSTRUCTION SHEET 408-2769.



RECOMMENDED PANEL CUTOUT

PCB CONFIGURATION

5227677-1
PART NUMBER

THIS DRAWING IS A CONTROLLED DOCUMENT.		DWN L. VARELA - 204PR2005		Tyco Electronics Corporation Harrisburg, Pa 17105-3608	
DIMENSIONS: mm (INCHES)		CHK J. HAVENER		APPRO J. LIPPERT	DATE 23JUN2005
TOLERANCES UNLESS OTHERWISE SPECIFIED:		PRODUCT SPEC 108-12078		APPLICATION SPEC	
0 PLC ± -		SIZE		CAGE CODE	
1 PLC ± -		DRAWING NO		RESTRICTED TO	
2 PLC ± 0.05 [.002]		A1 00779		5227677	
3 PLC ± -		CUSTOMER DRAWING		SCALE 4:1	
4 PLC ± -		SHEET 1 OF 1		REV A	
ANGLES ± -					
FINISH					
SEE NOTES					