

Distributed by:

**JAMECO**<sup>®</sup>  
ELECTRONICS

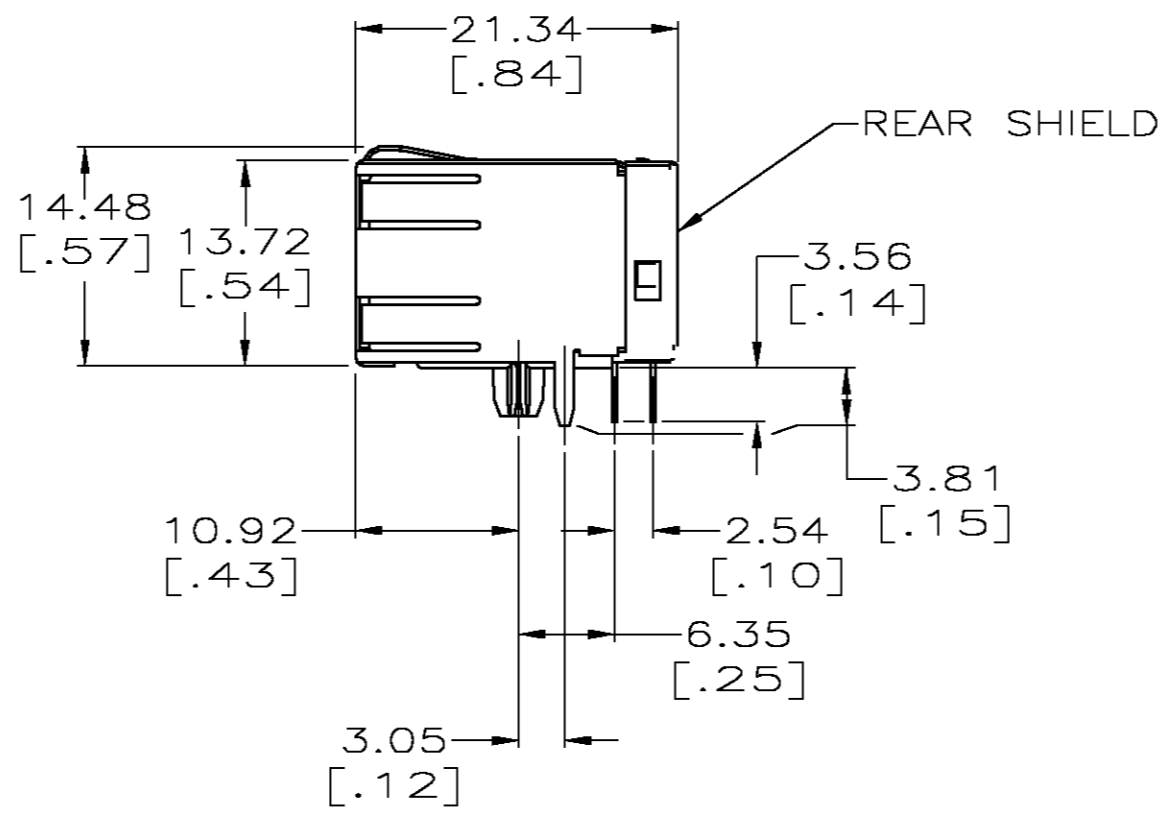
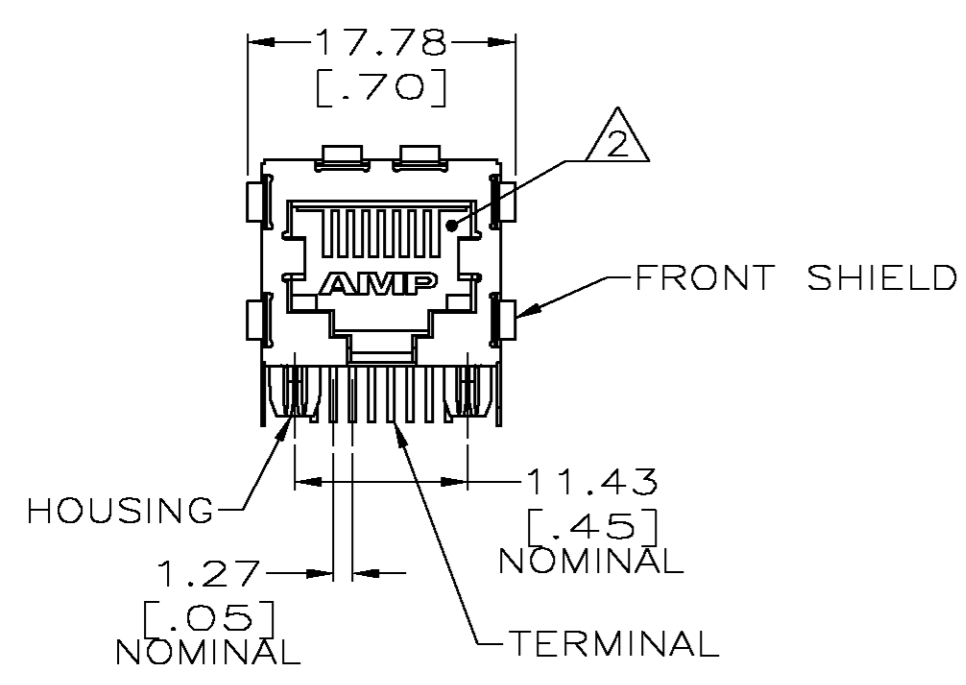
**www.Jameco.com ♦ 1-800-831-4242**

The content and copyrights of the attached  
material are the property of its owner.

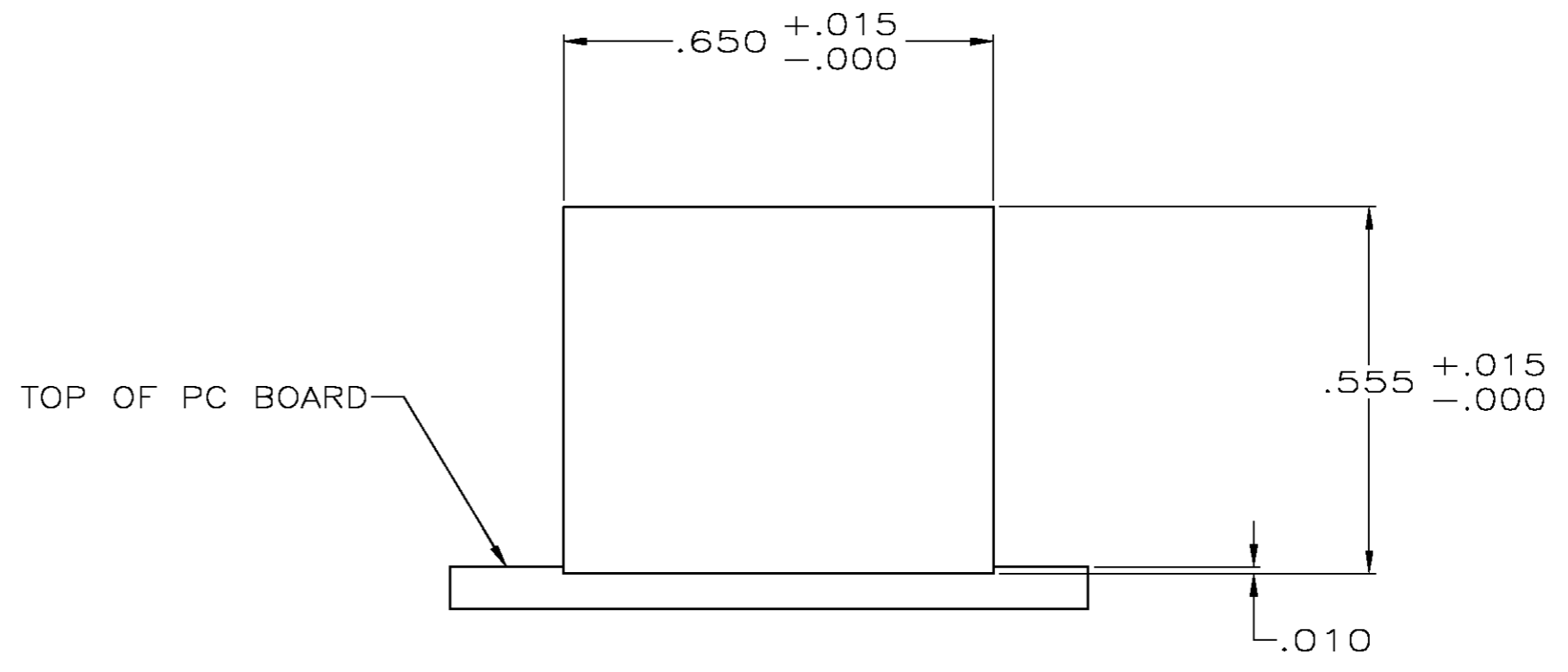
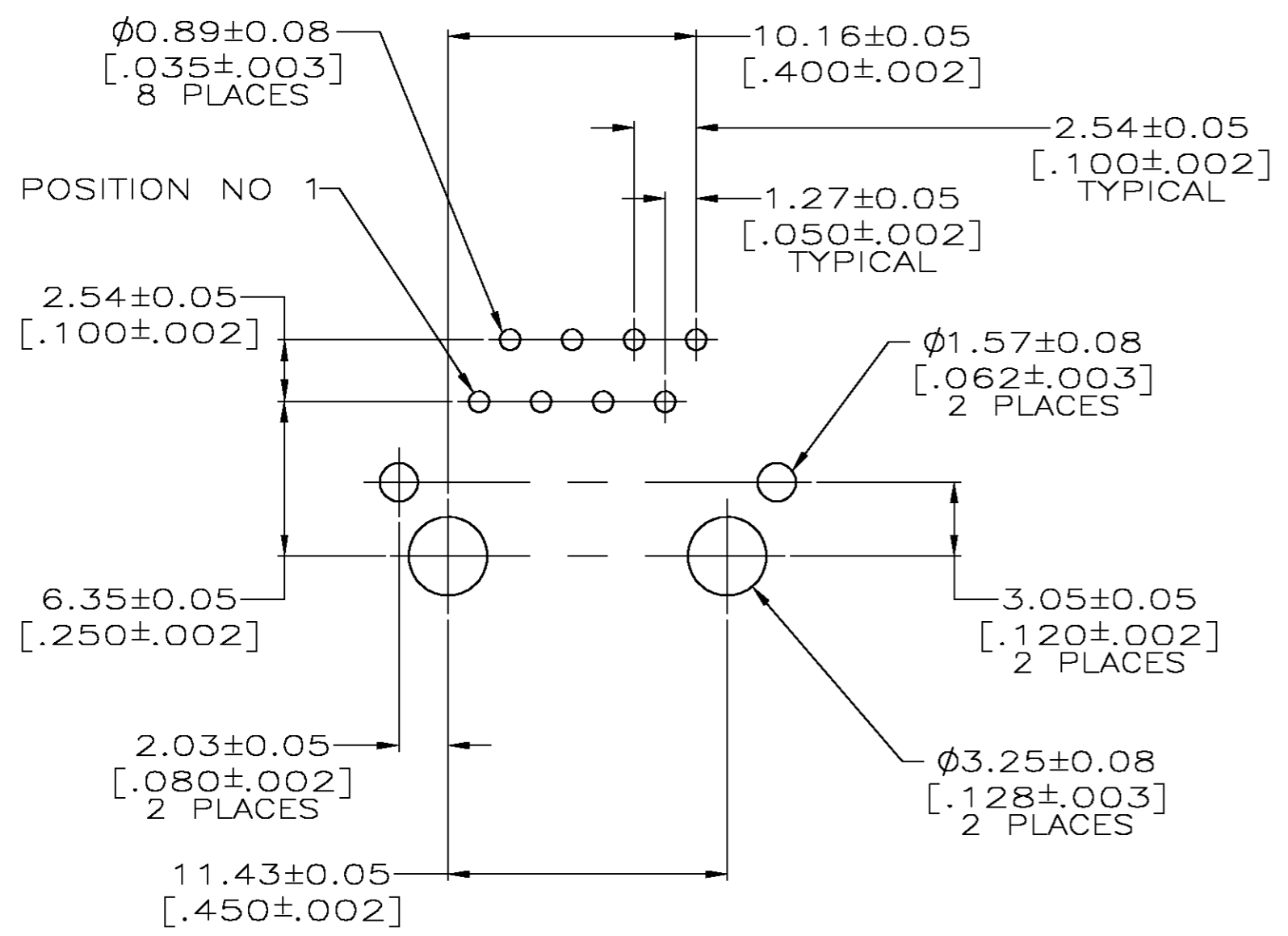
Jameco Part Number 754427

THIS DRAWING IS UNPUBLISHED. RELEASED FOR PUBLICATION  
 © COPYRIGHT BY TYCO ELECTRONICS CORPORATION. ALL RIGHTS RESERVED.

LOC	DIST	REVISIONS					
AA	22	P	LTR	DESCRIPTION	DATE	DWN	APVD
		A		ECOS11-0201-04	20APR05	LAM	JW



- 1 MATERIAL: HOUSING - NYLON, BLACK, IR REFLOW COMPATIBLE, UL 94V-0.  
 TERMINALS - 0.33 [.013] THICK PHOS BRONZE PLATED WITH 1.27 μm [.000050] MINIMUM THICK HARD GOLD IN LOCALIZED AREA AND 3.81 μm [.000150] MINIMUM THICK MATTE TIN IN SOLDER AREA OVER 1.27 μm [.000050] MINIMUM THICK NICKEL UNDERPLATE.  
 SHIELDS - 0.25 [.010] THICK COPPER ALLOY PLATED WITH 2.03 μm [.000080] MINIMUM MATTE TIN OVER 1.27 μm [.000050] MINIMUM NICKEL
- △ JACK CAVITY CONFORMS TO FCC RULES AND REGULATIONS, PART 68 SUBPART F.
- △ USE #30 DRILL BIT OR 3.25mm DRILL BIT WHEN PRODUCING THESE PCB HOLES.



SUGGESTED PANEL CUTOUT  
 SCALE 4:1

SUGGESTED PC BOARD LAYOUT  
 COMPONENT SIDE  
 SCALE 4:1

5406298-1  
 PART NUMBER

THIS DRAWING IS A CONTROLLED DOCUMENT.		DWN T. SPRINKLE/LA.MAYER 20APR2005	Tyco Electronics Corporation Harrisburg, Pa 17105-3608	
DIMENSIONS: mm		CHK J.WESTMAN 20APR2005	NAME S.FLICKINGER	
TOLERANCES UNLESS OTHERWISE SPECIFIED: ∅		APVD S.FLICKINGER 20APR2005	PRODUCT SPEC 108-1163	
0 PLC ± - 1 PLC ± - 2 PLC ± 0.25[.01] 3 PLC ± 0.13[.005] 4 PLC ± - ANGLES ± - FINISH		APPLICATION SPEC 114-2048	SIZE A2	CAGE CODE 00779
MATERIAL SEE NOTE 1		WEIGHT -	DRAWING NO C=5406298	
CUSTOMER DRAWING		SCALE 2:1		SHEET 1 OF 1

5406298