

Distributed by:

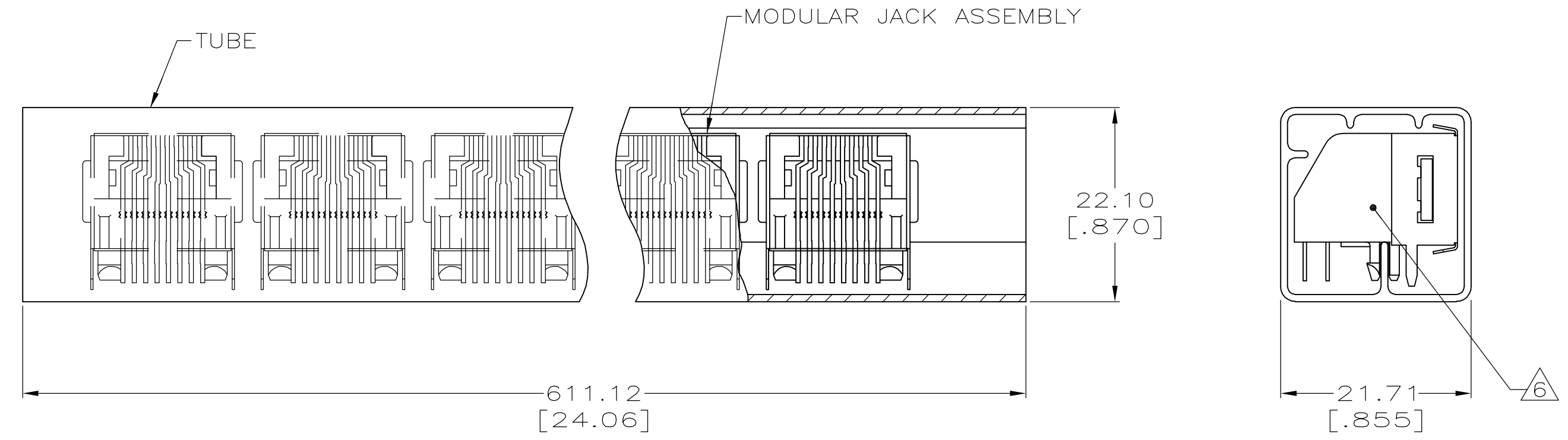
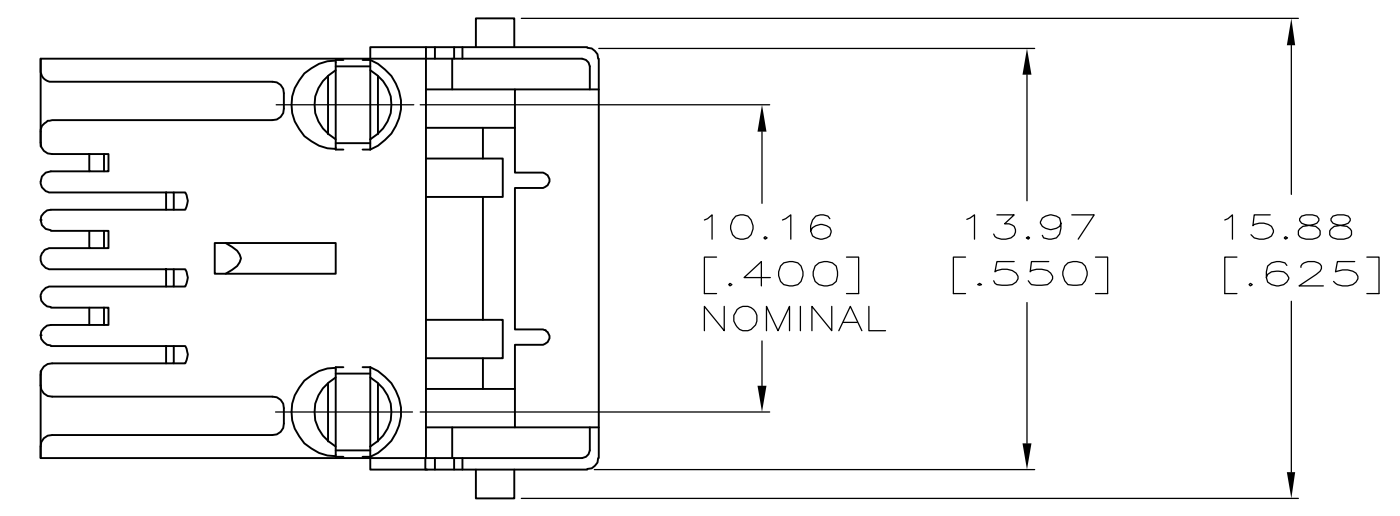
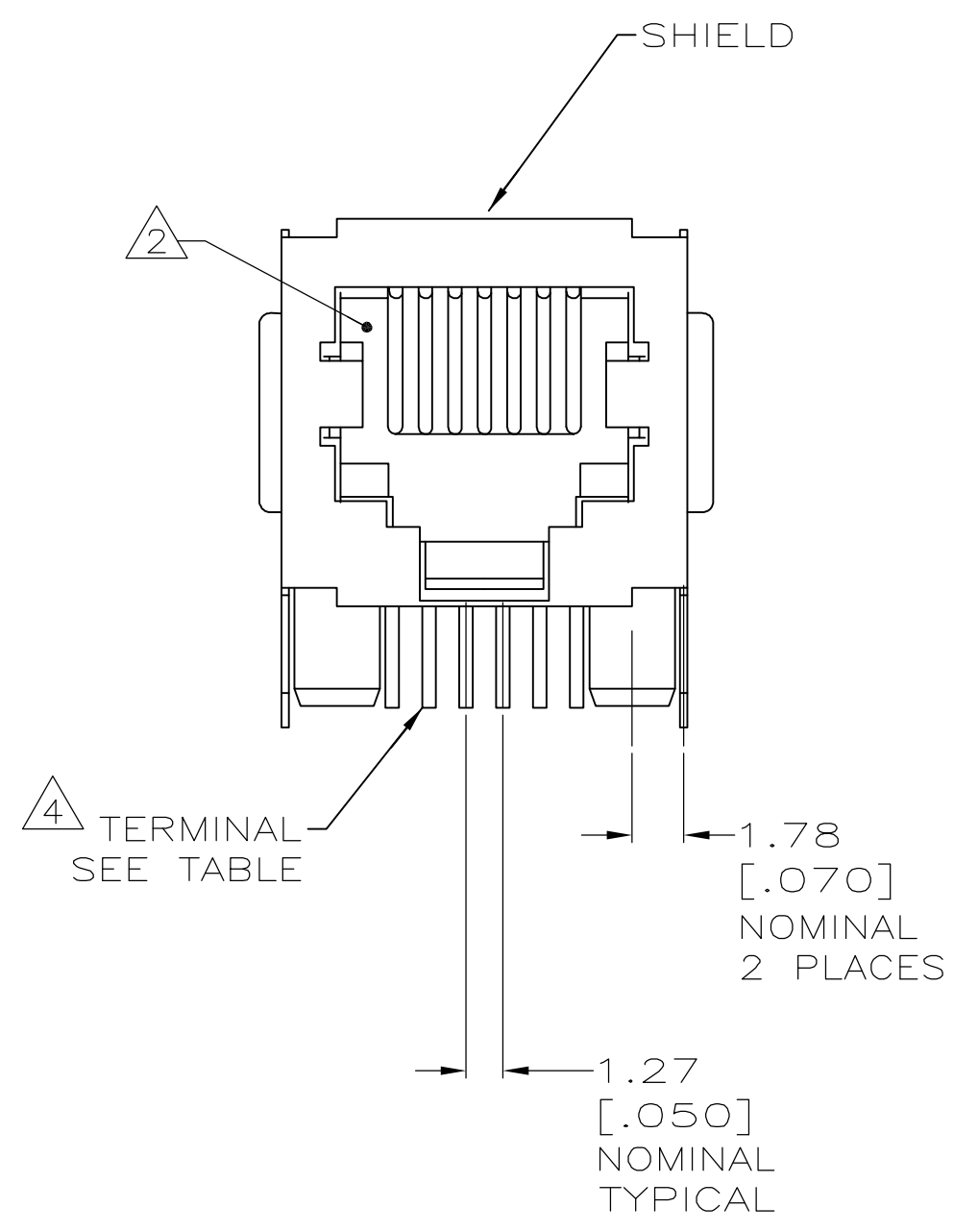
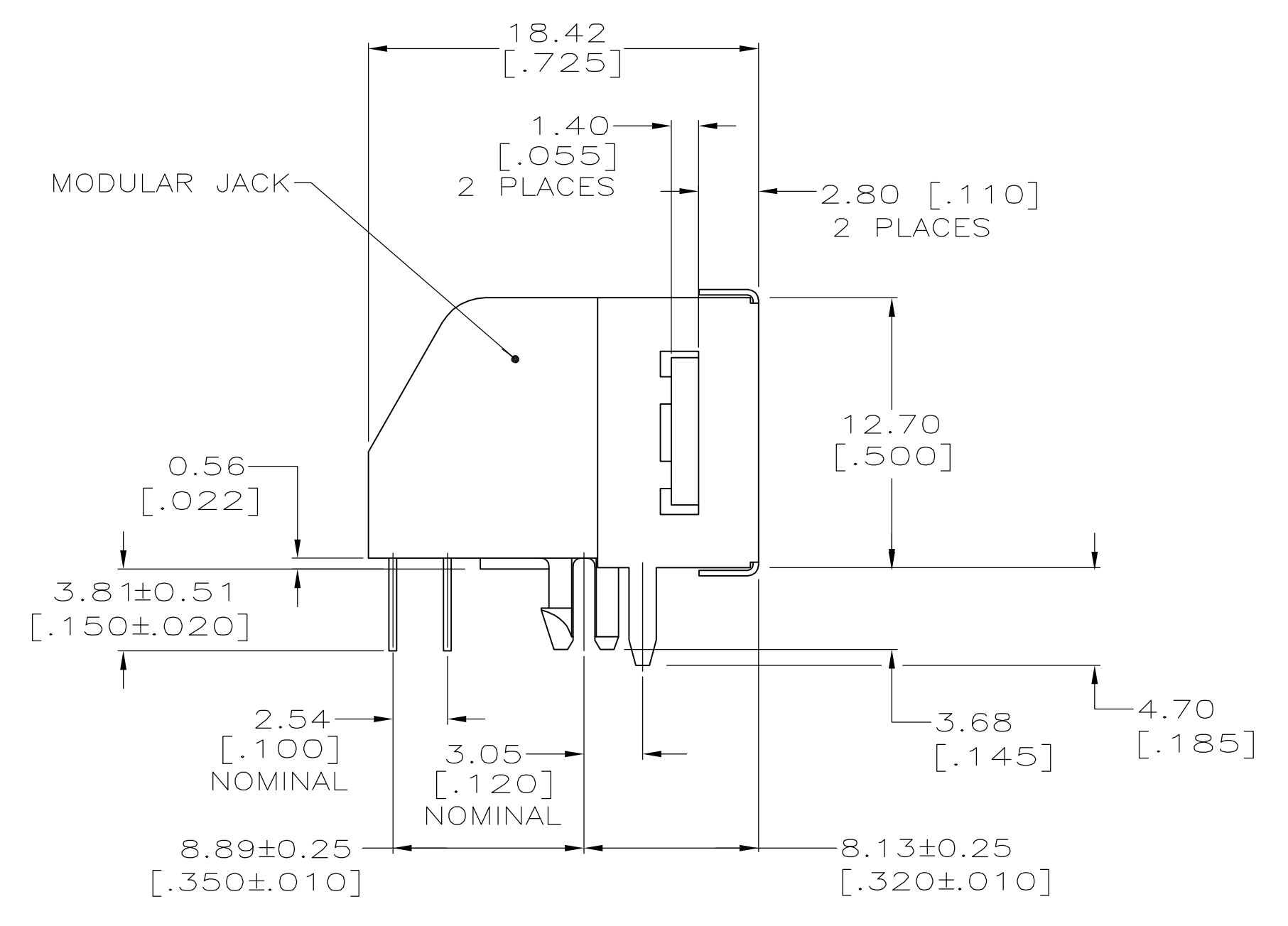
**JAMECO**<sup>®</sup>  
ELECTRONICS

**www.Jameco.com ♦ 1-800-831-4242**

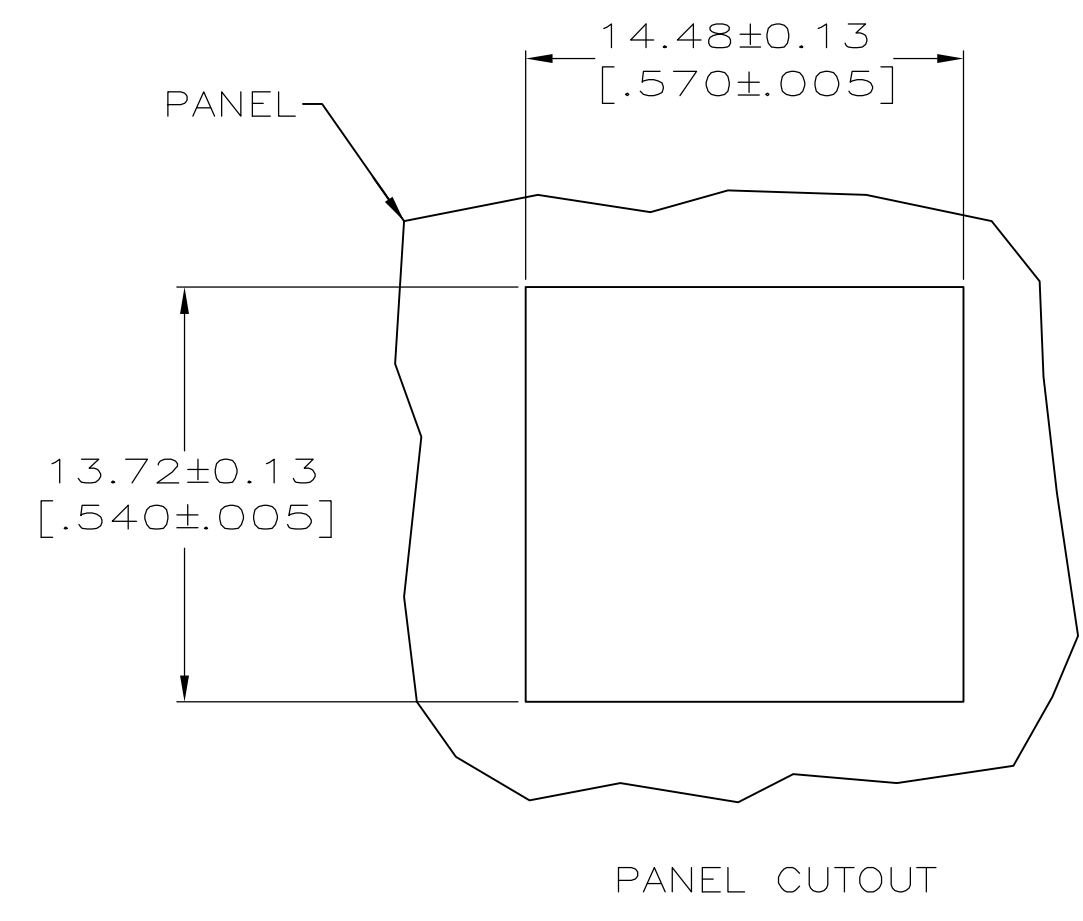
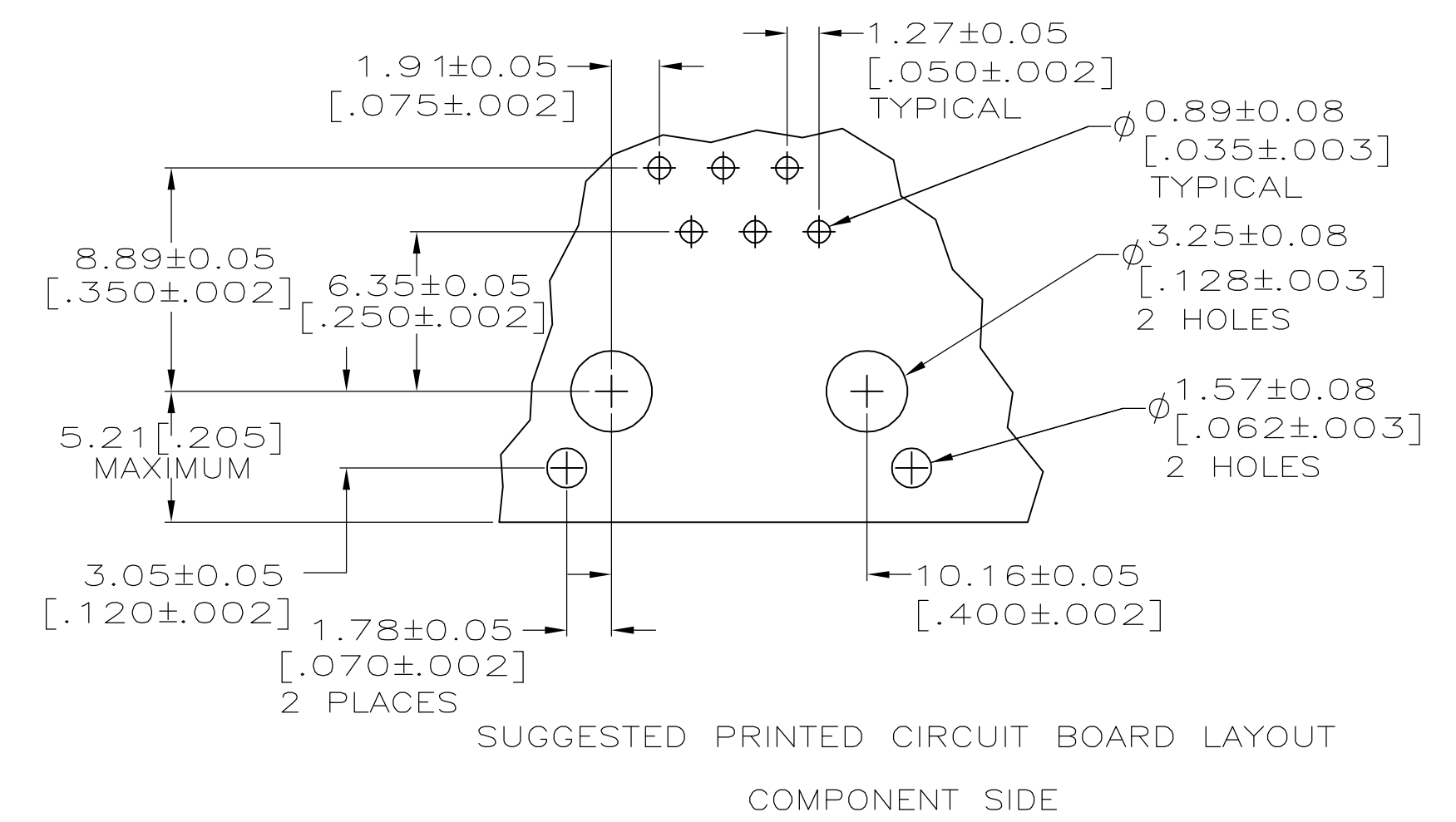
The content and copyrights of the attached  
material are the property of its owner.

Jameco Part Number 754881

LOC		DIST		REVISIONS			
AA	22	REV	PER	EC	DATE	BY	APP'D
A		REV	PER	EC	0511-0201-04	08JUN2005	GA SF



- △ MATERIAL: HOUSING—PBT POLYESTER, BLACK.  
 TERMINAL—.36[.014] THICK PHOS—BRONZE PLATED WITH 1.27μm[.000050] MINIMUM THICK HARD GOLD IN LOCALIZED GOLD PLATE AREA AND 3.81 μm[.000150] MINIMUM THICK MATTE TIN IN SOLDER AREA OVER 1.27μm[.000050] MINIMUM THICK NICKEL UNDERPLATE SHIELD—0.25[.010] THICK COPPER ALLOY, MATTE TIN PLATED WITH 2.03μm[.000080] MINIMUM BRIGHT TIN OVER 1.27μm[.000050] MINIMUM NICKEL.
- △ CAVITY CONFORMS TO FCC RULES AND REGULATIONS PART 68, SUBPART F.
- 3. ALL DIMENSIONS SHOWN ARE MAXIMUM UNLESS OTHERWISE SPECIFIED.
- △ TERMINALS FOR 5555154-2 LOCATED IN CENTER POSITIONS.
- △ BULK PACKAGED IN TRAYS.
- △ PACKAGED 36 ASSEMBLIES PER TUBE. SEE DETAIL "A".



PACKAGE	TERMINALS REQUIRED	PART NUMBER
△6	6	5555154-4
△5	4	5555154-2
△5	6	5555154-1

THIS DRAWING IS A CONTROLLED DOCUMENT.

DIMENSIONS: mm (INCHES)	TOLERANCES UNLESS OTHERWISE SPECIFIED:	DIN G. ATTADIA - 08JUN2005	OBDOCKS 08JUN2005	tyco Electronics	Tyco Electronics Corporation Harrisburg, Pa 17105-3608
0 PLC ± -	1 PLC ± -	2 PLC ± -	3 PLC ± -	4 PLC ± -	ANGLES ± -
MATERIAL △	FINISH △	REV J. WESTMAN 08JUN2005	NAME S. FLICKINGER 08JUN2005	PRODUCT SPEC 108-1163	APPLICATION SPEC 114-2048
CUSTOMER DRAWING		SCALE 1:1	SHEET 1 OF 1	REV A	RESTRICTED TO

NAME: MODULAR JACK ASSEMBLY, SHIELDED, 6 POSITION, LOW PROFILE, RIGHT ANGLE, PRINTED CIRCUIT BOARD GROUND WITH PANEL STOPS  
 SIZE: A1  
 CAGE CODE: 00779  
 DRAWING NO: 5555154