

Distributed by:

JAMECO[®]
ELECTRONICS

www.Jameco.com ♦ 1-800-831-4242

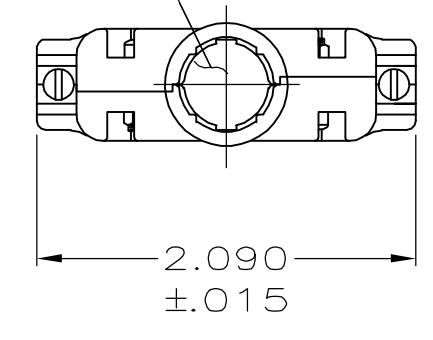
The content and copyrights of the attached
material are the property of its owner.

Jameco Part Number 755121

THIS DRAWING IS UNPUBLISHED. RELEASED FOR PUBLICATION
 © COPYRIGHT BY TYCO ELECTRONICS CORPORATION. ALL RIGHTS RESERVED.

LOC	DIST	REVISIONS			
P	LTR	DESCRIPTION	DATE	DWN	APVD
GP	00	0	RELEASED PER EC OS13-0226-05	12AUG05	BM JG

OPENING FOR CABLE
 (SEE DASH NO. FOR DIA.)



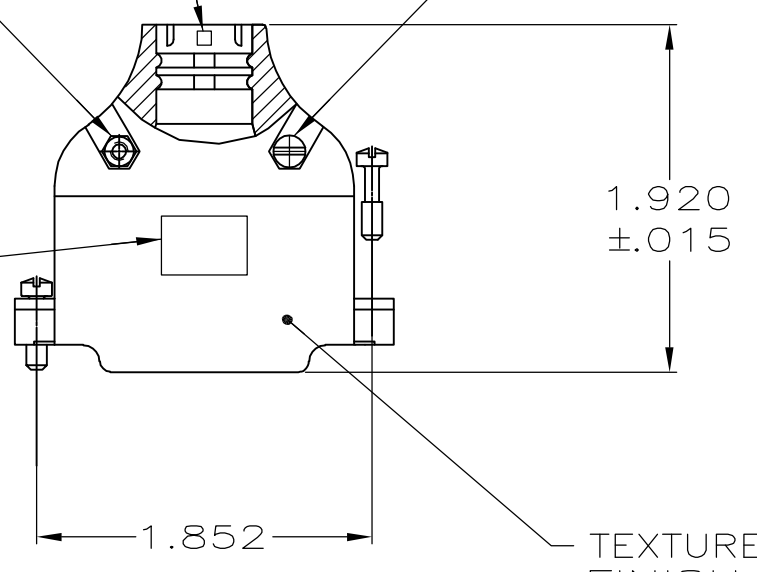
- 1. PARTS PACKAGED UNASSEMBLED, AS A UNIT KIT.
- △2 ZINC PLATED .000200-.000400 THICK, CLEAR CHROMATE COATING.

SIZE IDENTIFICATION LETTER
 MOLDED IN APPROXIMATE AREA
 SHOWN, SEE TABLE

#4-40 HEX NUT
 (QTY. 2)
 MATL: CARBON STEEL
 FINISH: △2

#4-40 FIL HD SCREW
 (QTY. 2)
 MATL: STEEL
 FINISH: △2

AMP LOGO



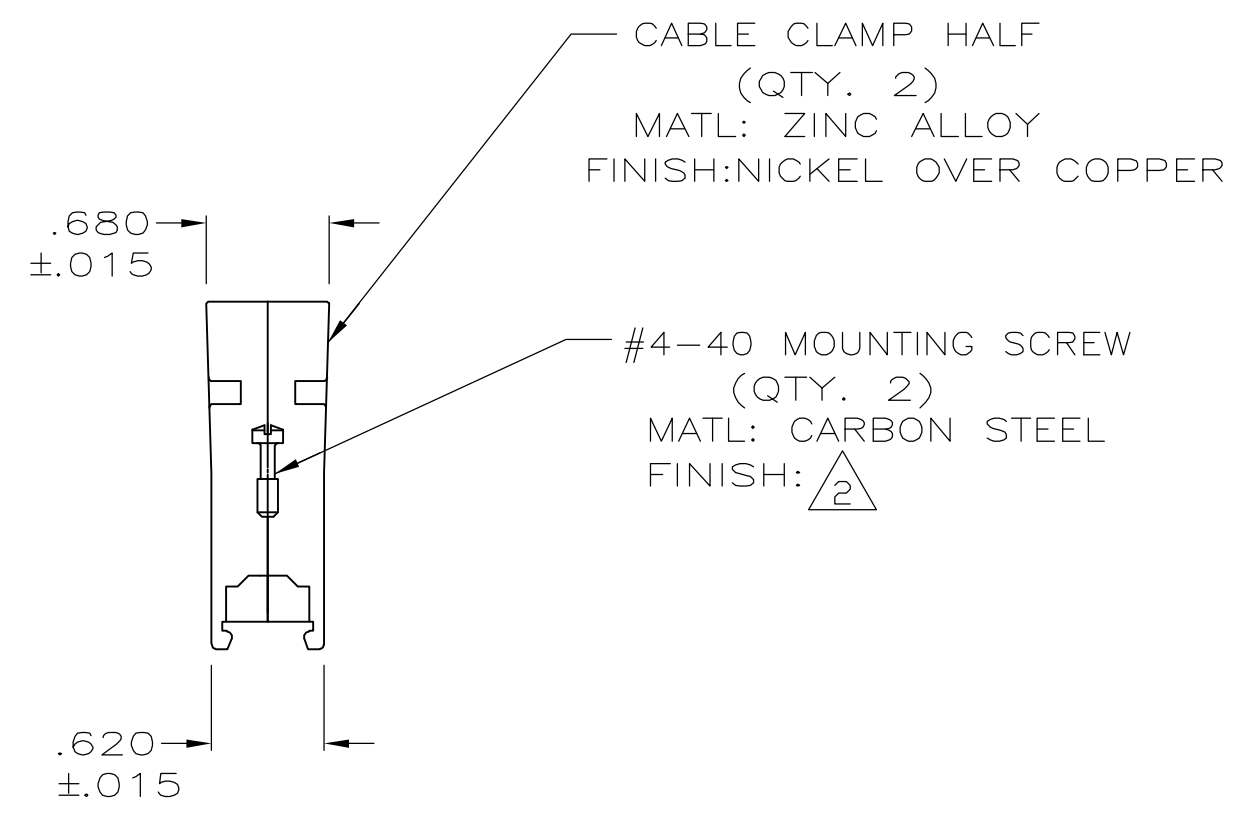
TEXTURED FINISH

CABLE CLAMP HALF
 (QTY. 2)
 MATL: ZINC ALLOY
 FINISH: NICKEL OVER COPPER

.680
 ±.015

#4-40 MOUNTING SCREW
 (QTY. 2)
 MATL: CARBON STEEL
 FINISH: △2

.620
 ±.015



D	.280	5745173-5
G	.350	5745173-4
K	.430	5745173-3
M	.480	5745173-2
P	.530	5745173-1
NECK SIZE IDENT	MAX CABLE DIA	PART NUMBER

THIS DRAWING IS A CONTROLLED DOCUMENT.		DWN B. MCMASTER	12AUG05	Tyco Electronics Corporation Harrisburg, Pa 17105-3608
DIMENSIONS: mm		CHK C. ROHDE	12AUG05	
TOLERANCES UNLESS OTHERWISE SPECIFIED:		APVD M. WALMSLEY	12AUG05	NAME CABLE CLAMP KIT, SIZE 3, 180 DEGREE, AMPLIMITE
0 PLC ± - 1 PLC ± - 2 PLC ± - 3 PLC ± .005 4 PLC ± - .005 ANGLES ± ± -		PRODUCT SPEC	APPLICATION SPEC	
MATERIAL SEE CALLOUTS	FINISH SEE CALLOUTS	WEIGHT	-	SIZE A2 CAGE CODE 00779 DRAWING NO G-5745173 RESTRICTED TO -
CUSTOMER DRAWING			SCALE 1:1	SHEET 1 OF 1 REV 0