

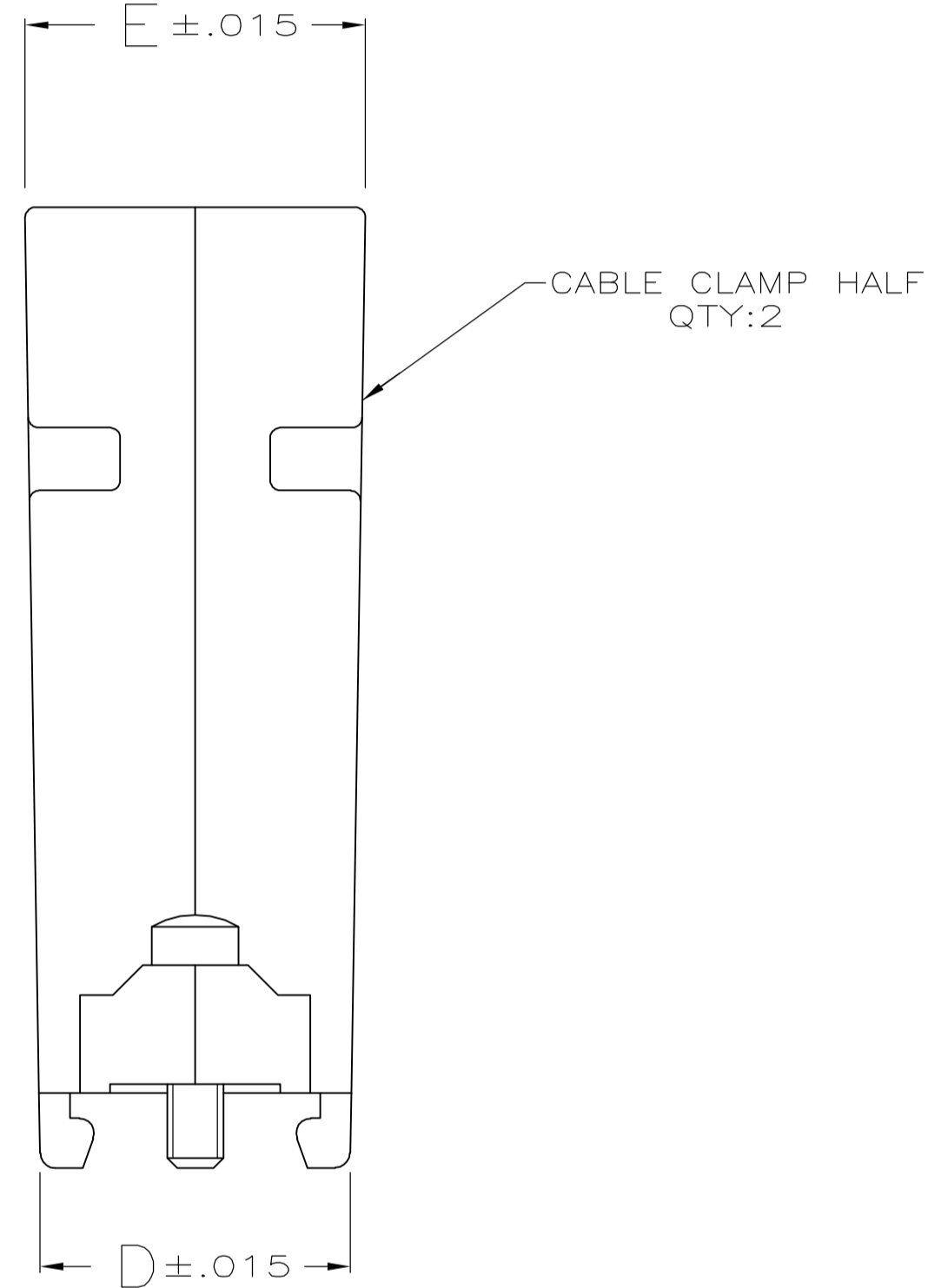
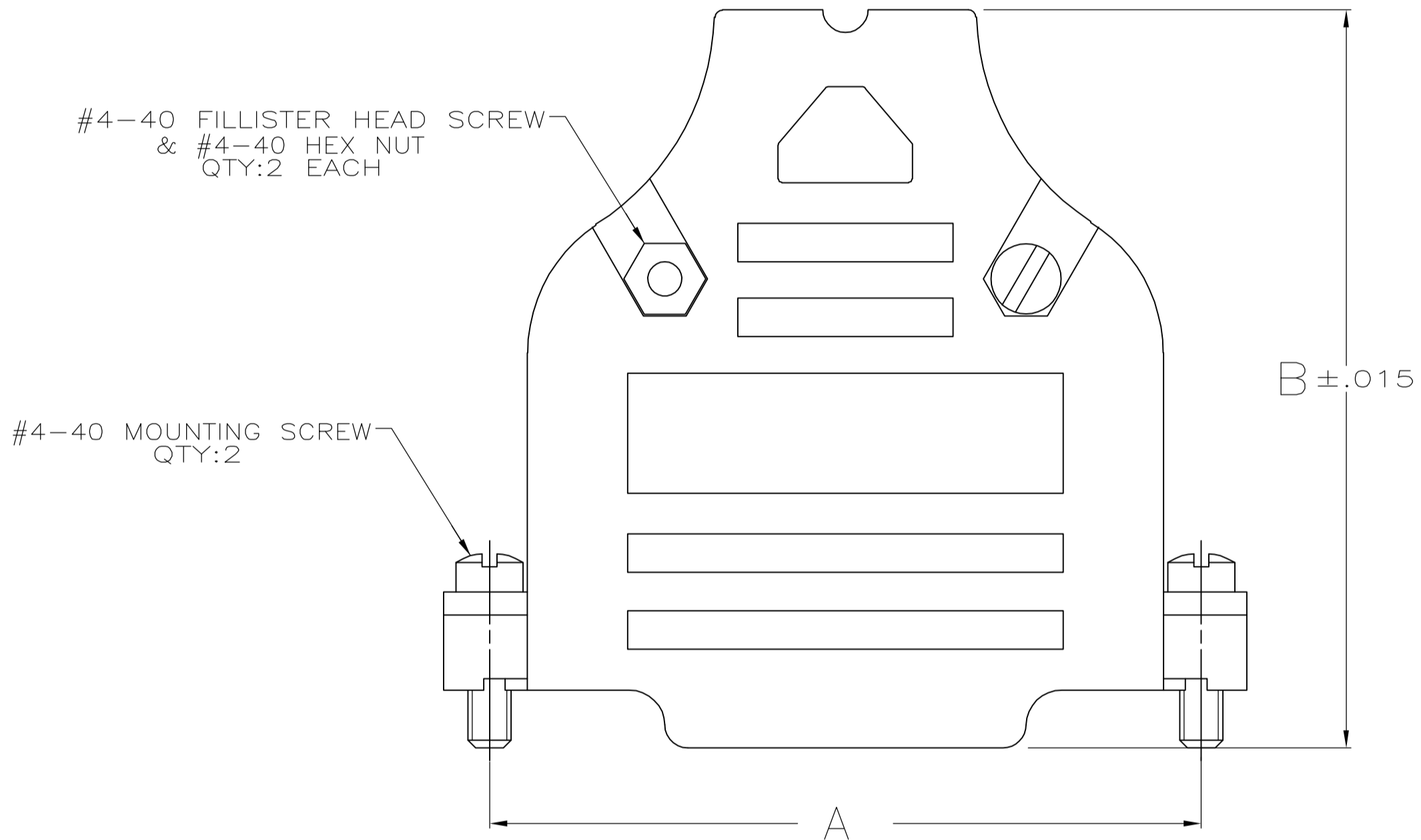
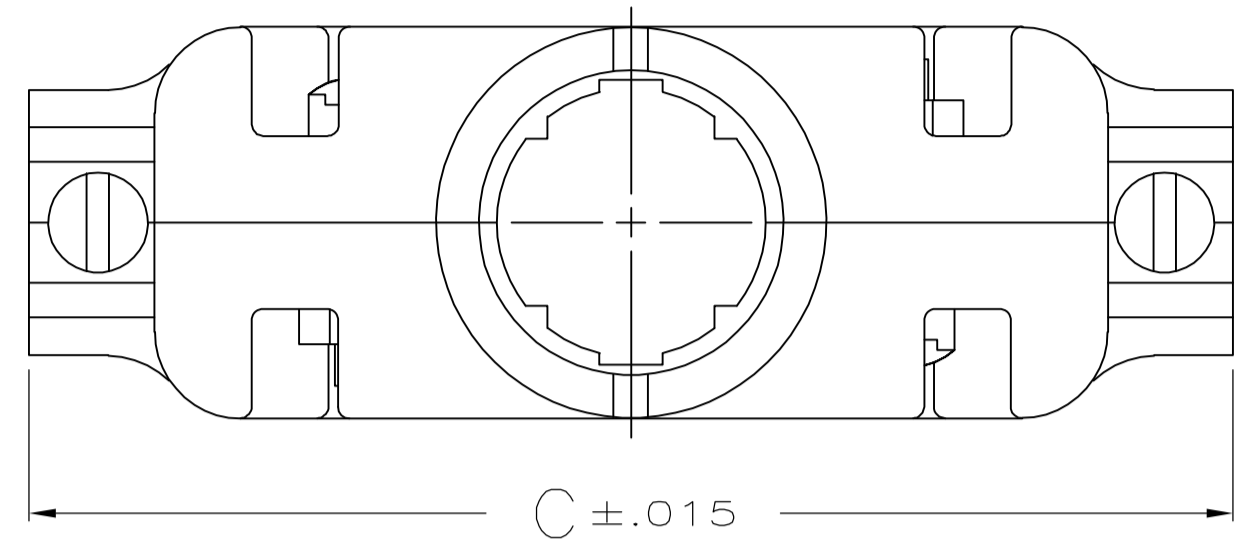
Distributed by:

JAMECO[®]
ELECTRONICS

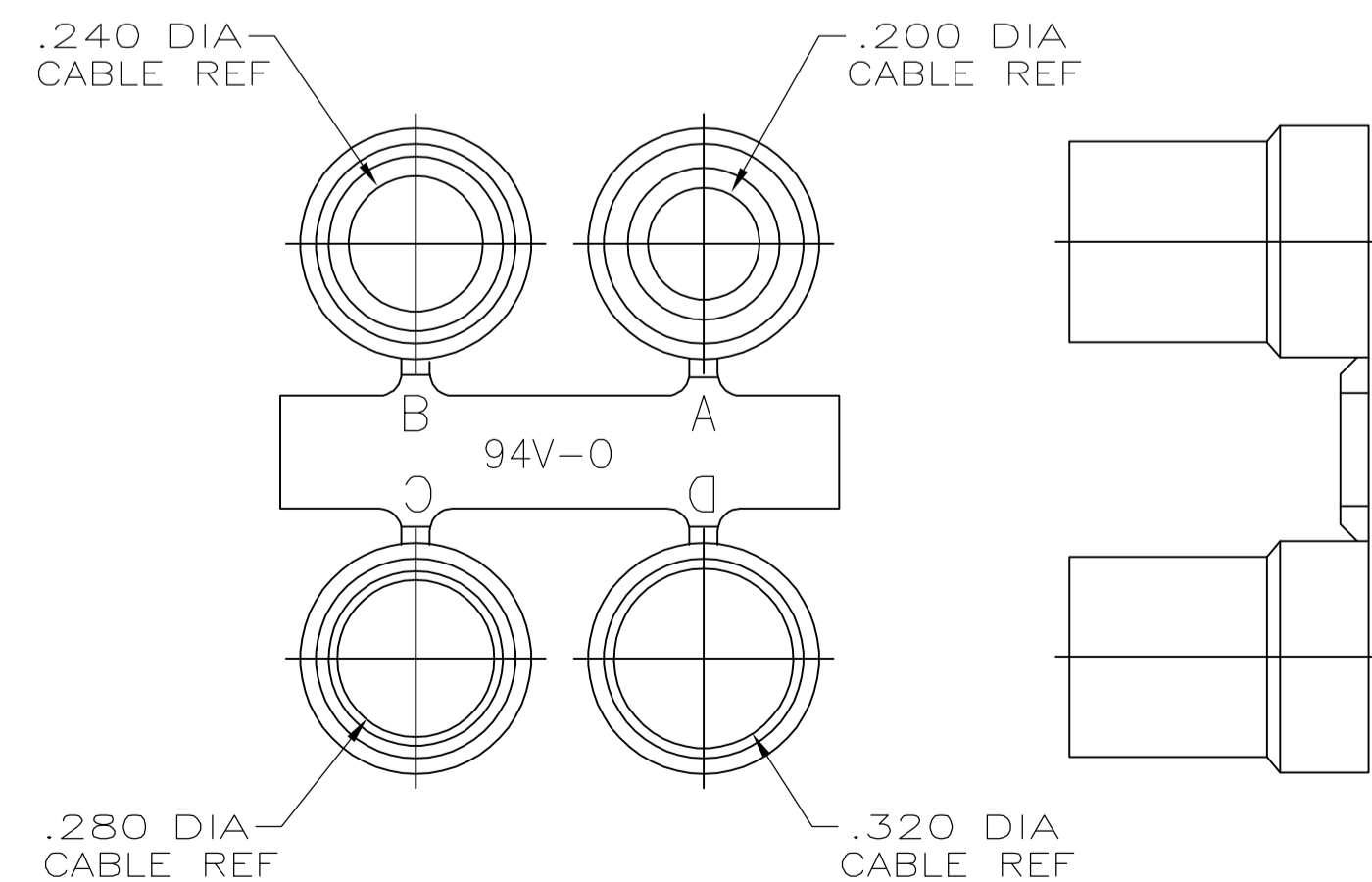
www.Jameco.com ♦ 1-800-831-4242

The content and copyrights of the attached
material are the property of its owner.

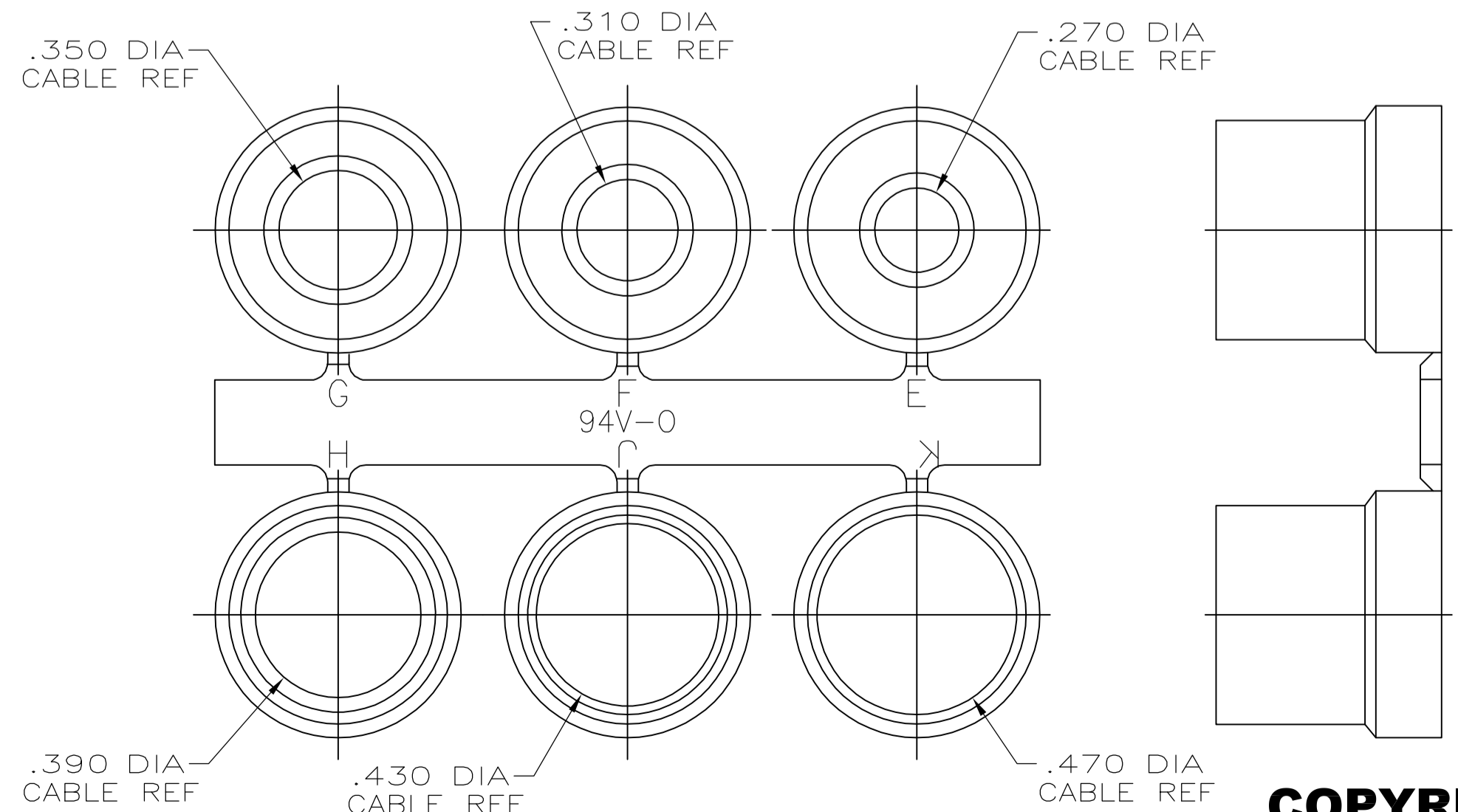
Jameco Part Number 755323



- PARTS PACKAGED UNASSEMBLED AS A UNIT KIT.
- ⚠ CABLE CLAMP HALVES: BLACK ABS MOLDING COMPOUND, FILLISTER HEAD SCREWS, HEX NUTS & MOUNTING SCREWS: STEEL PER ASTM A108, GROMMETS: FLEXIBLE PVC, UL 94V-0 RATED, COLOR: BLACK.
 - ⚠ CABLE CLAMP HALVES: NICKEL OVER COPPER, FILLISTER HEAD SCREWS, HEX NUTS & MOUNTING SCREWS: ZINC PLATED .000200-.000400 THICK, CLEAR CHROMATE COATING.



GROMMET ASSORTMENT FOR SIZES 1 & 2 ONLY



GROMMET ASSORTMENT FOR SIZES 3, 4 & 5 ONLY

.900	.730	2.644	1.920	2.406	5	5748677-5
.800	.620	2.738	1.920	2.500	4	5748677-4
.680	.640	2.090	1.920	1.852	3	5748677-3
.620	.620	1.545	1.910	1.312	2	5748677-2
.570	.630	1.215	1.910	.984	1	5748677-1
E	D	C	B	A	SIZE	PART NO

THIS DRAWING IS A CONTROLLED DOCUMENT.

DIMENSIONS: INCHES	TOLERANCES UNLESS OTHERWISE SPECIFIED:	DIN D. HENNY 8-18-05		Tyco Electronics Corporation Harrisburg, Pa 17105-3608
0 PLC ± -	1 PLC ± -	CHK C. ROHDE 8-18-05		NAME
2 PLC ± -	3 PLC ± .005	APVD W. WALMSLEY 8-18-05	PRODUCT SPEC	KIT, CABLE CLAMP, 180° EXIT, W/GROMMETS AMPLIMITE SERIES, PLATED PLASTIC
4 PLC ± -	ANGLES ± -		APPLICATION SPEC	
MATERIAL	FINISH		WEIGHT	SIZE A1
				CAGE CODE -
				DRAWING NO. ©=5748677
				RESTRICTED TO
				CUSTOMER DRAWING
				SCALE 3:1 SHEET 1 OF 1 REV 0

**COPYRIGHT 2005
 TYCO ELECTRONICS CORP
 ALL RIGHTS RESERVED**