

Distributed by:

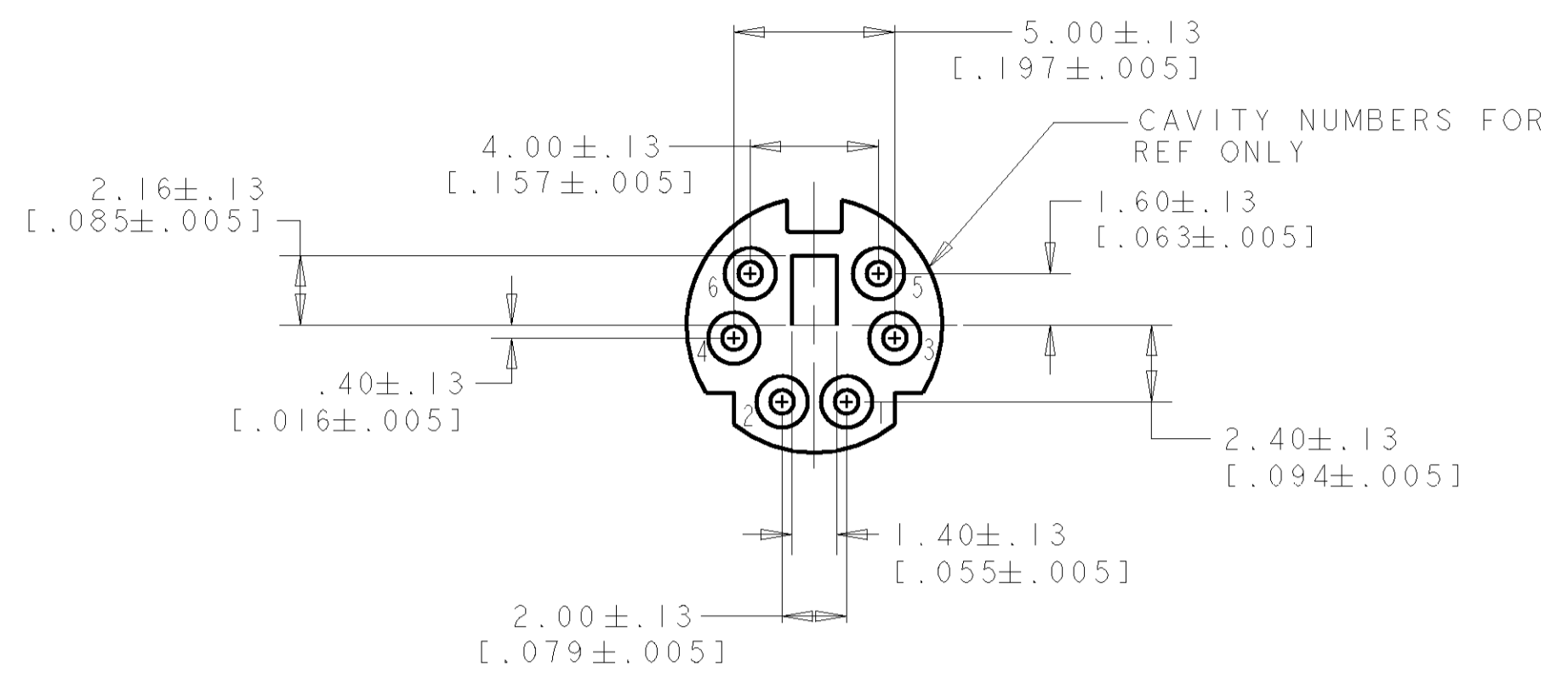
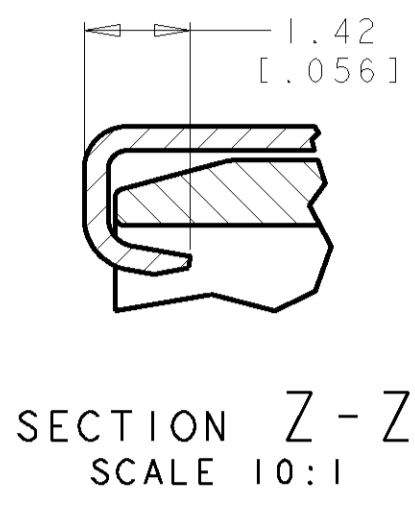
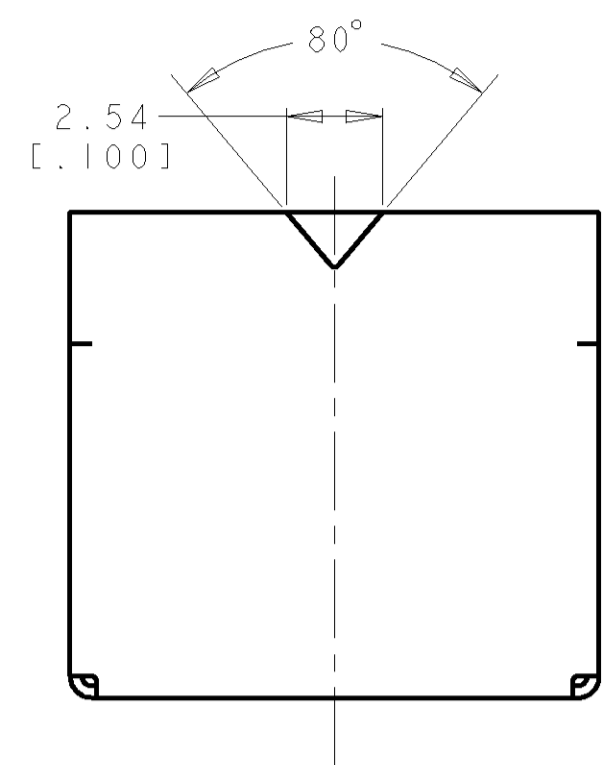
**JAMECO**<sup>®</sup>  
ELECTRONICS

**www.Jameco.com ♦ 1-800-831-4242**

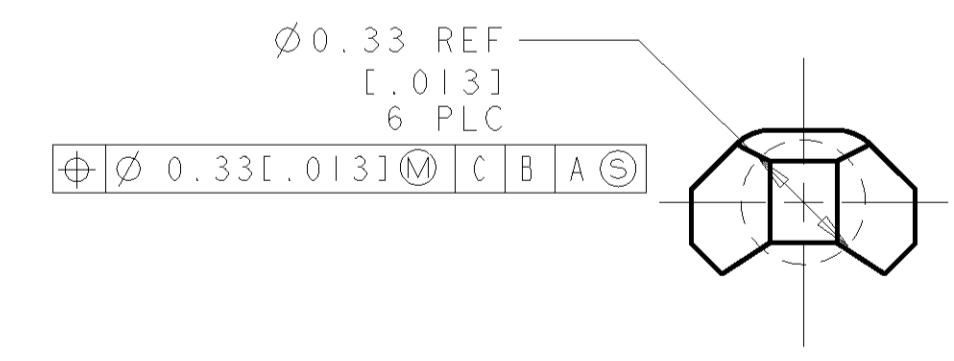
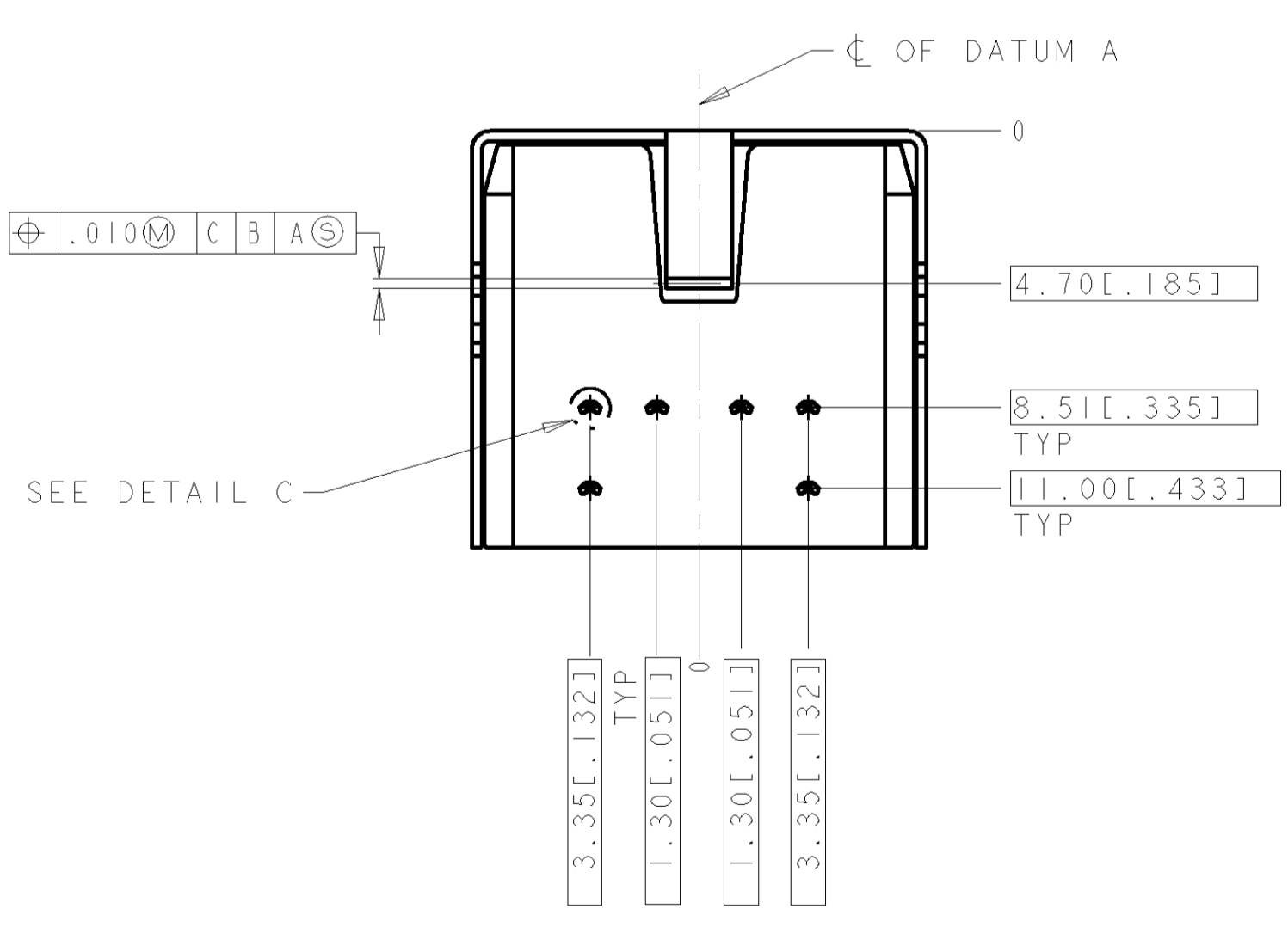
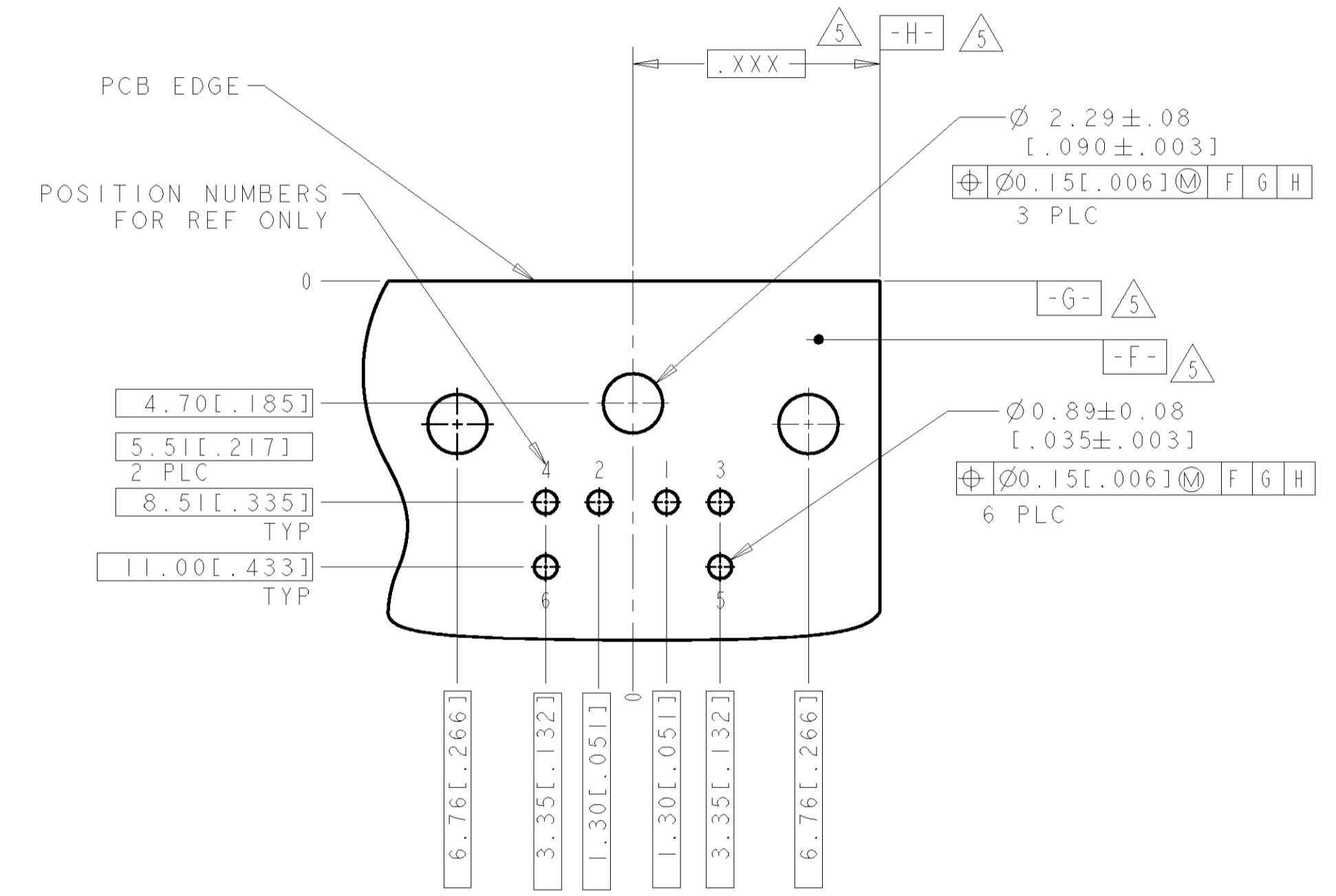
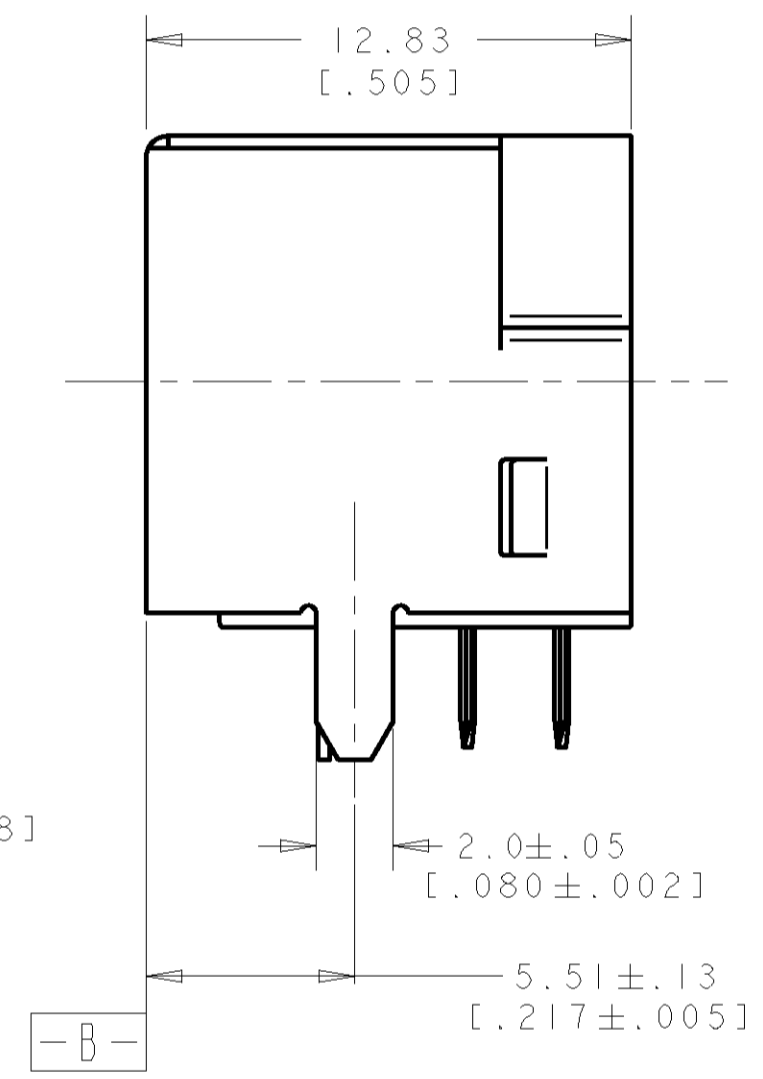
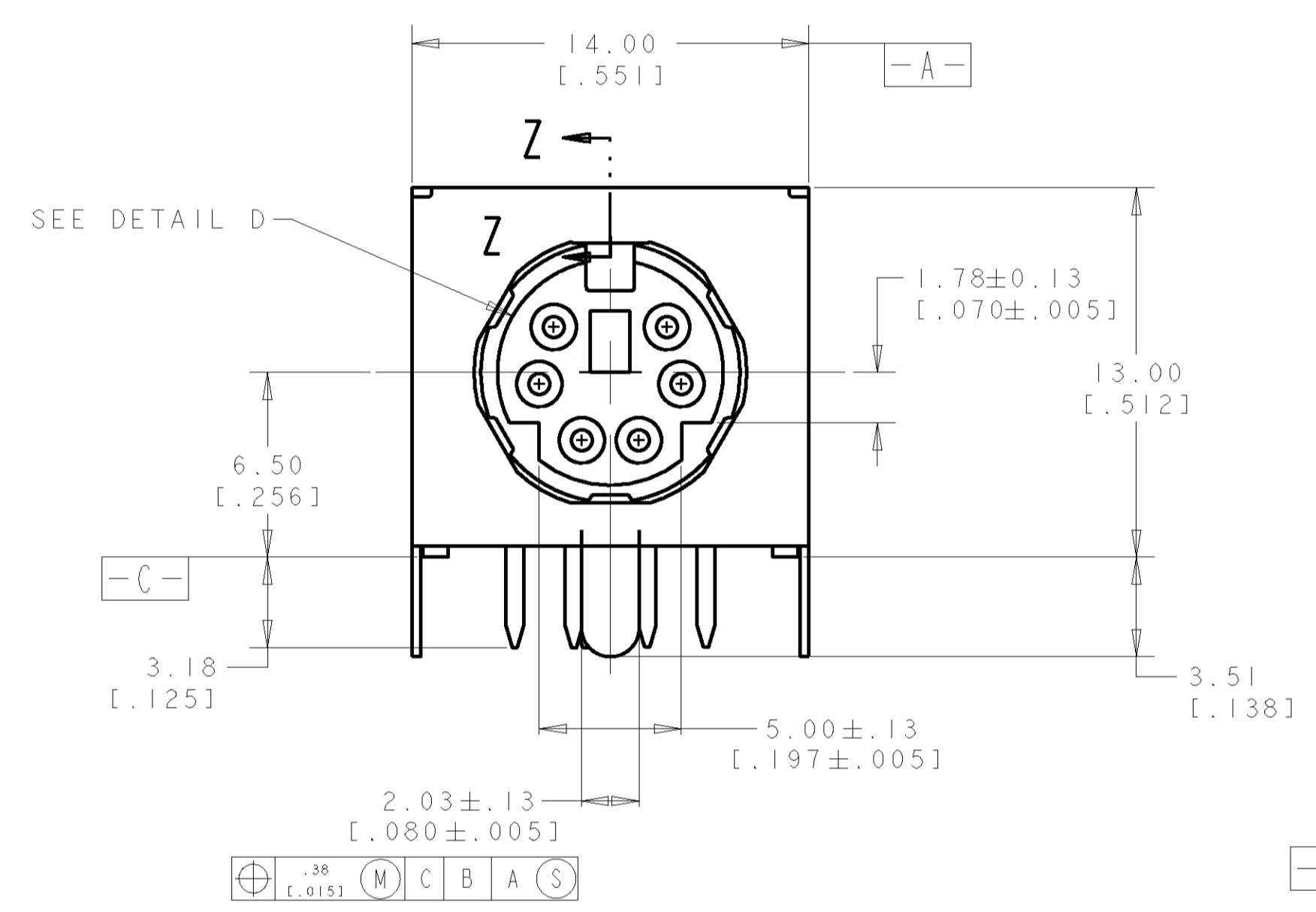
The content and copyrights of the attached  
material are the property of its owner.

Jameco Part Number 755374

LOC	DIST	REVISIONS			
REV	DATE	DESCRIPTION	DATE	BY	CHKD
0		NPR FPD0-0340-04	4JAN05	LWY	LSF



- △ RECEPTACLE CONTACTS: COPPER ALLOY.  
RECEPTACLE SHIELD: COPPER ALLOY.  
HOUSING: THERMOPLASTIC, BLACK, 94V-0 RATED.
- △ PLATING:  
RECEPTACLE CONTACTS - GOLD FLASH PLATED ON MATING END, MATTE-TIN PLATED .0030 MIN [.000120 MIN] THICK ON SOLDER TAIL ALL OVER .0013 MIN [.000050 MIN] THICK NICKEL.
- △ PLATING:  
SHIELD: PRE-TIN PLATED
- 4. RECEPTACLE ASSEMBLY MATES WITH 6 PIN 9.00±.10 [.354±.004] DIAMETER PLUG.
- △ DATUMS AND BASIC DIMENSION SUPPLIED BY CUSTOMER.



DETAIL C  
SCALE 50:1

P/N: 5749265-1 AS SHOWN

<small>THIS DRAWING IS A CONTROLLED DOCUMENT FOR AMP INCORPORATED. ALL DIMENSIONS ARE IN INCHES UNLESS OTHERWISE SPECIFIED. FOR THE LATEST REVISION, ORGANIZATION SHOULD BE CONTACTED FOR THE LATEST REVISION.</small>		DWN: WYLEE CHK: SF LEONG APD: SF LEONG	04JAN2005 NAME: RECEPTACLE ASSY, 6 POS., RIGHT ANGLE, MINIATURE CIRCULAR DIN PRODUCT SPEC: 108-1225 APPLICATION SPEC: - WEIGHT: - CUSTOMER DRAWING	Tyco Electronics Singapore Pte. Ltd.
DIMENSIONS: mm [INCHES]	TOLERANCES UNLESS OTHERWISE SPECIFIED: 0 PLC ± 1 PLC ± 2 PLC ± 3 PLC ±0.38 [.015] 4 PLC ± 5 PLC ±	SIZE: A1 CAGE CODE: 00779 DRAWING NO: 5749265	SCALE: 5:1 SHEET: 1 OF 1 REV: 0	