

Distributed by:

JAMECO[®]
ELECTRONICS

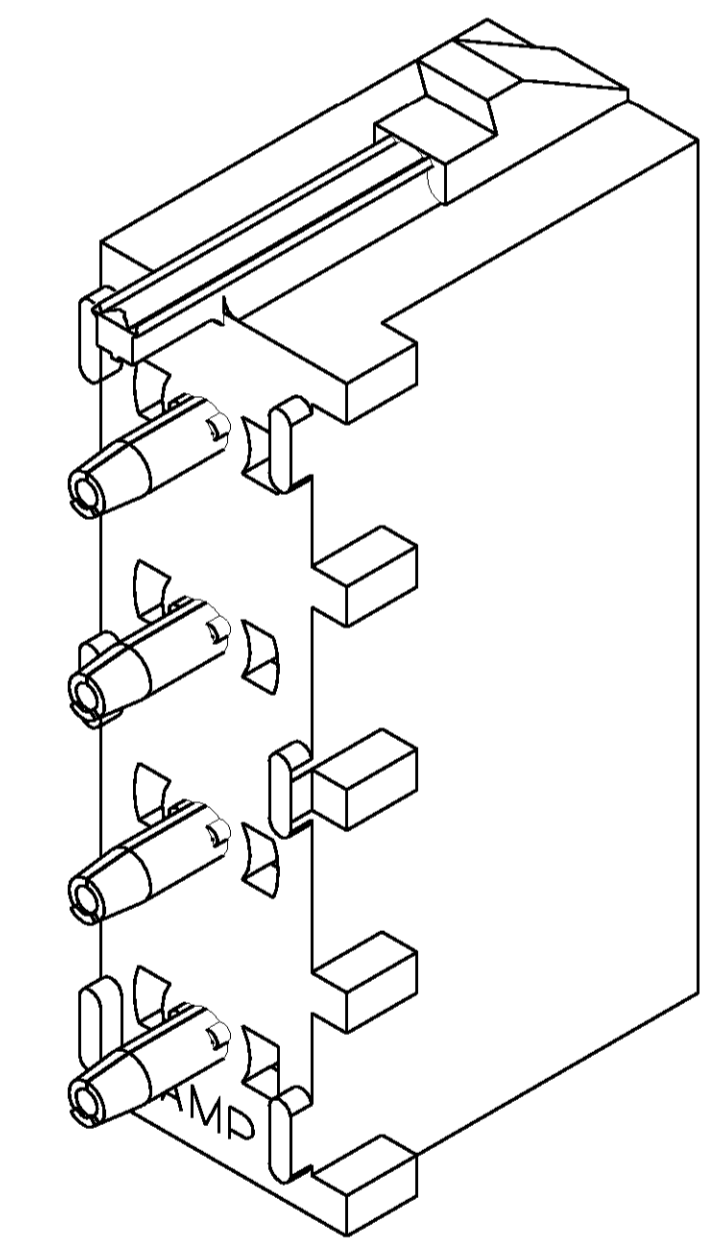
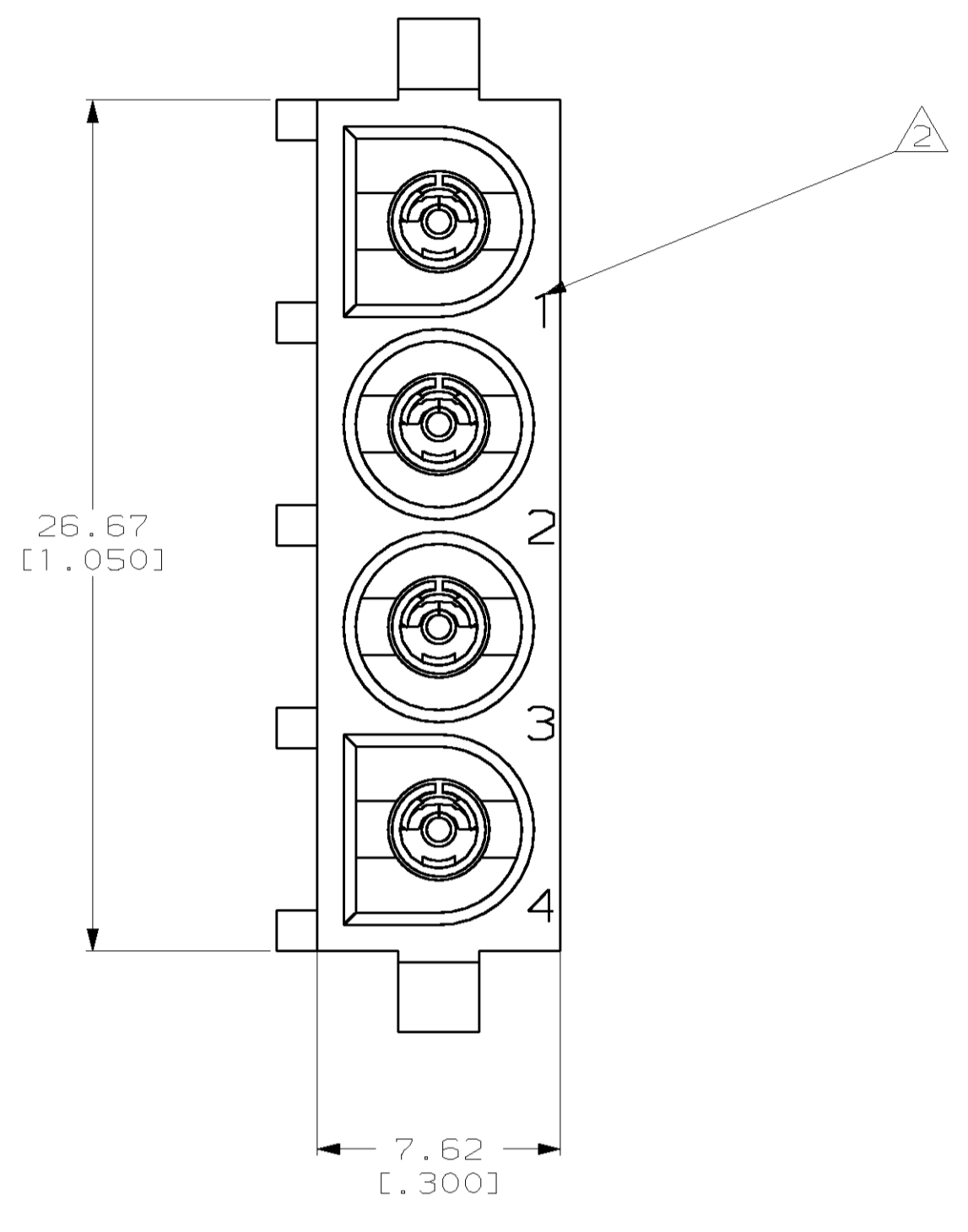
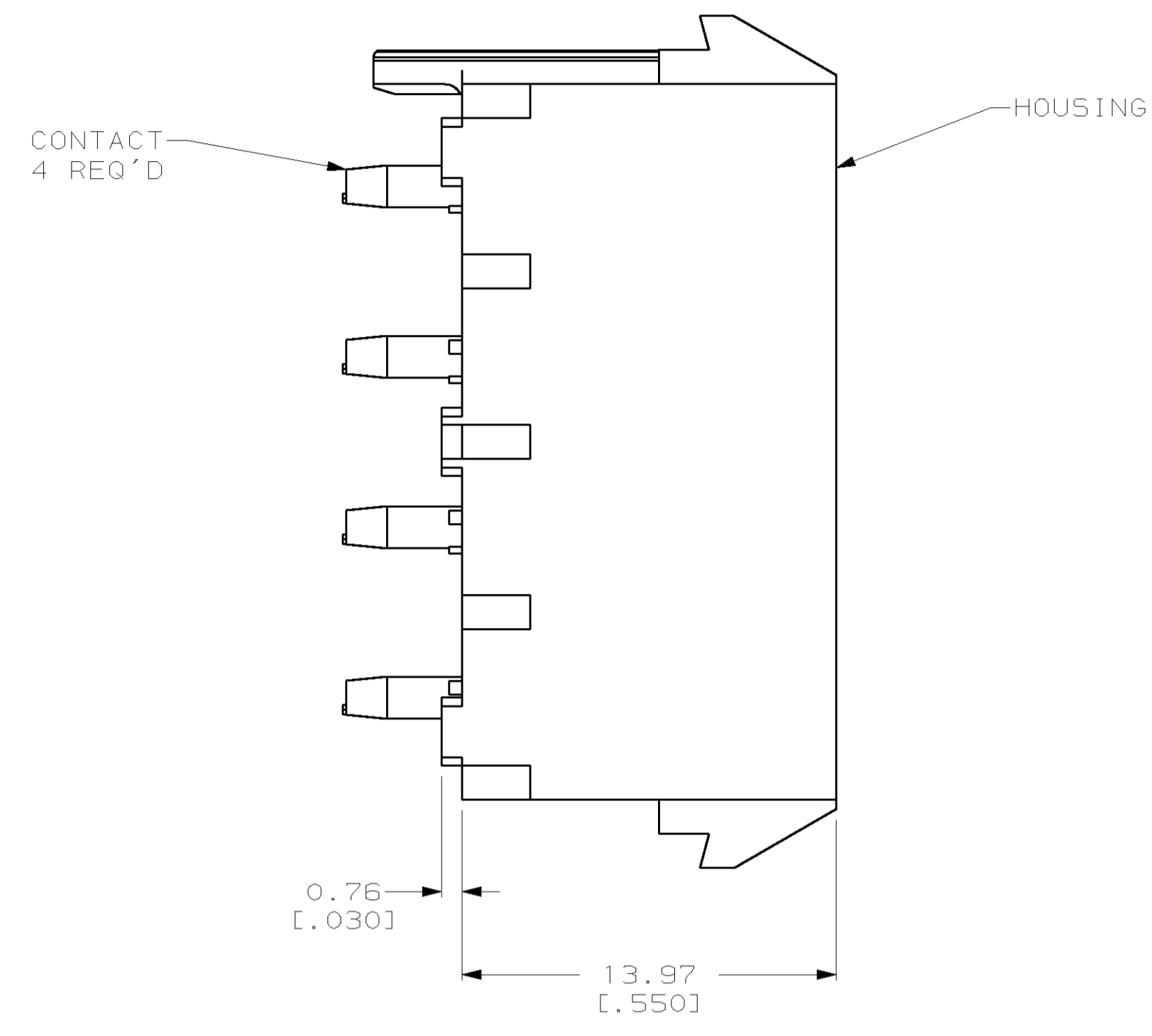
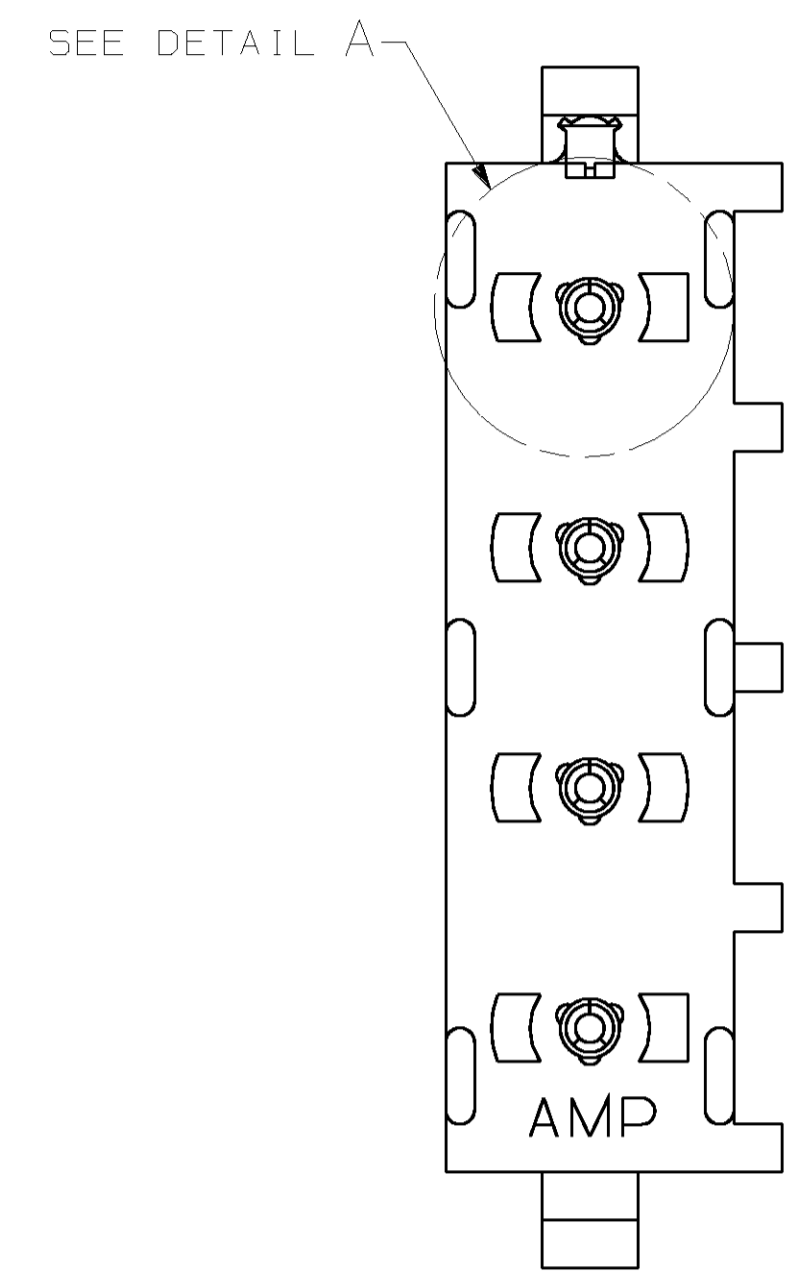
www.Jameco.com ♦ 1-800-831-4242

The content and copyrights of the attached
material are the property of its owner.

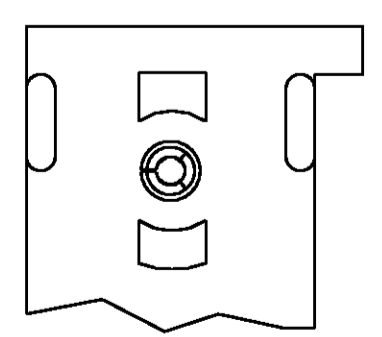
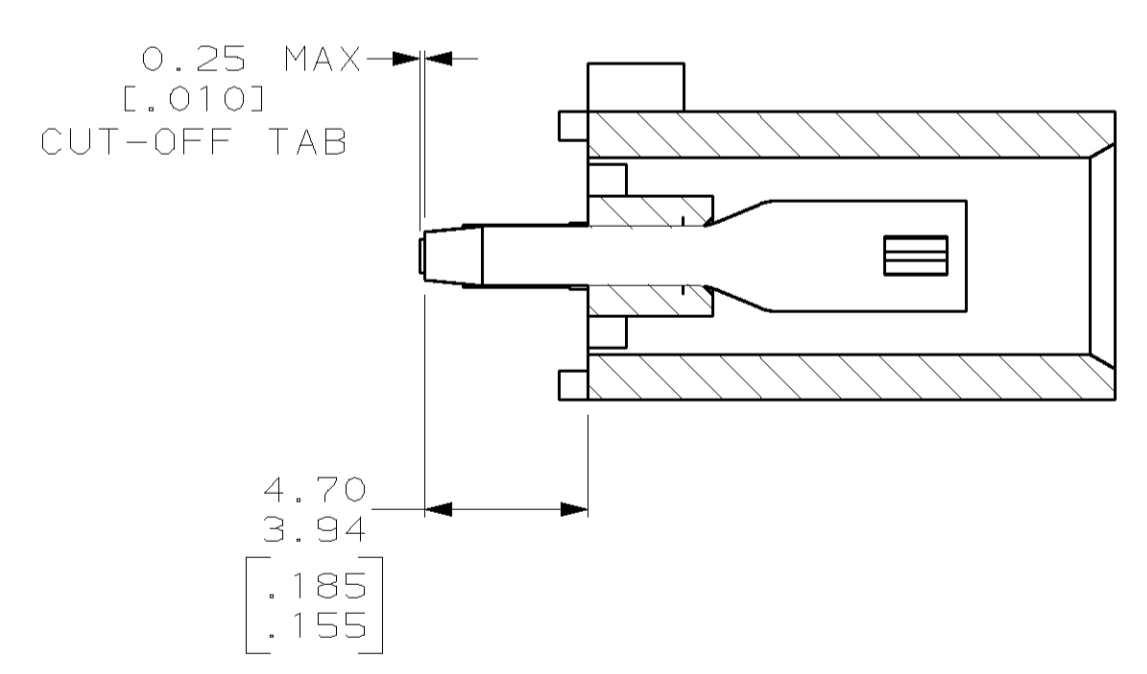
Jameco Part Number 756414

LOC	DIST	REVISIONS			
F	LTR	DESCRIPTION	DATE	OWN	APVD
CM	00	H	REVISED PER EC 063B-0300-00	23-JUN-00	KW KC

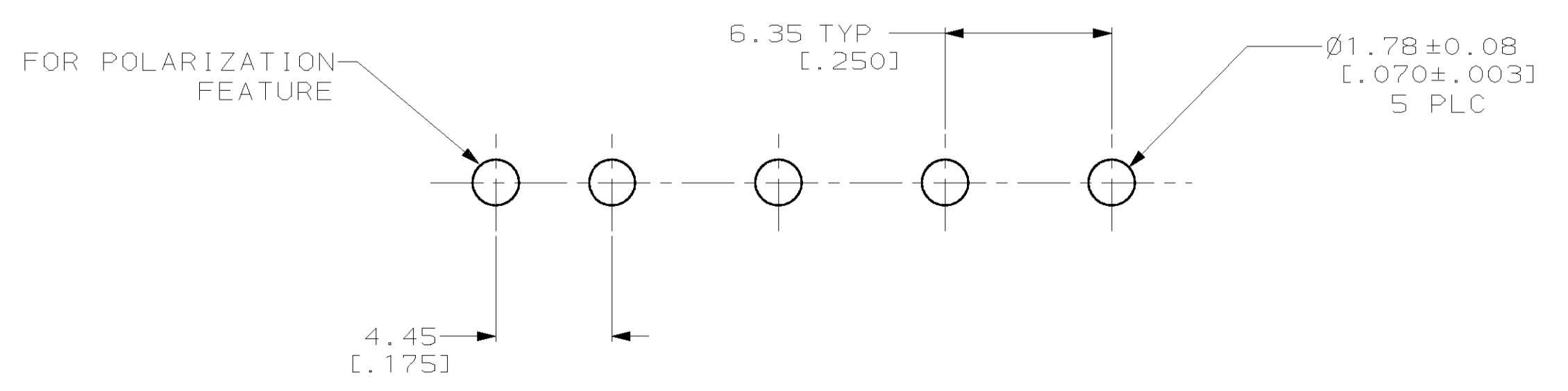
- PARTS COMPLY TO AMP SOLDERABILITY SPECIFICATION 109-11-3.
- CIRCUIT IDENTIFICATION CHARACTERS ARE ADJACENT TO THE INDICATED CAVITIES, BUT LOCATION AND ORIENTATION MAY DIFFER FROM PRINT.
- DIMENSIONS IN BRACKETS ARE IN INCHES.
- DRAIN HOLES LOCATED AS SHOWN. OPTIONAL CONSTRUCTION- ALL DRAIN HOLES LOCATED 90° AS SHOWN IN DETAIL A.



3-DIMENSIONAL MODEL NTS



DETAIL A
OPTIONAL CONSTRUCTION



RECOMMENDED MOUNTING HOLE PATTERN FOR 1.57 [.062] THICK P.C. BOARD

PHOSPHOR BRONZE, PRE-TIN PIN CONTACT MATERIAL AND FINISH	NYLON, UL94V-0, WHITE HOUSING MATERIAL	643416-1 PART NO
THIS DRAWING IS A CONTROLLED DOCUMENT.		DWN L. McEACHIN 07-JAN-2000
DIMENSIONS: mm (INCHES)		CHK K. COBLE 07-JUN-2000
TOLERANCES UNLESS OTHERWISE SPECIFIED:		APVD K. COBLE 07-JUN-2000
0 PLC ±	1 PLC ±	NAME SOCKET HEADER ASSEMBLY, POLARIZED, 4 CIRCUIT UNIVERSAL MATE-N-LOK™
2 PLC ±0.13 (.005)	3 PLC ±	SIZE A1
4 PLC ±	5 PLC ±	CAGE CODE 00779
ANGLES 40°-90°	FINISH SEE TABLE	DRAWING NO 643416
MATERIAL SEE TABLE	WEIGHT -	SCALE 5:1
CUSTOMER DRAWING		SHEET 1 OF 1 REV H

