

Distributed by:

JAMECO[®]
ELECTRONICS

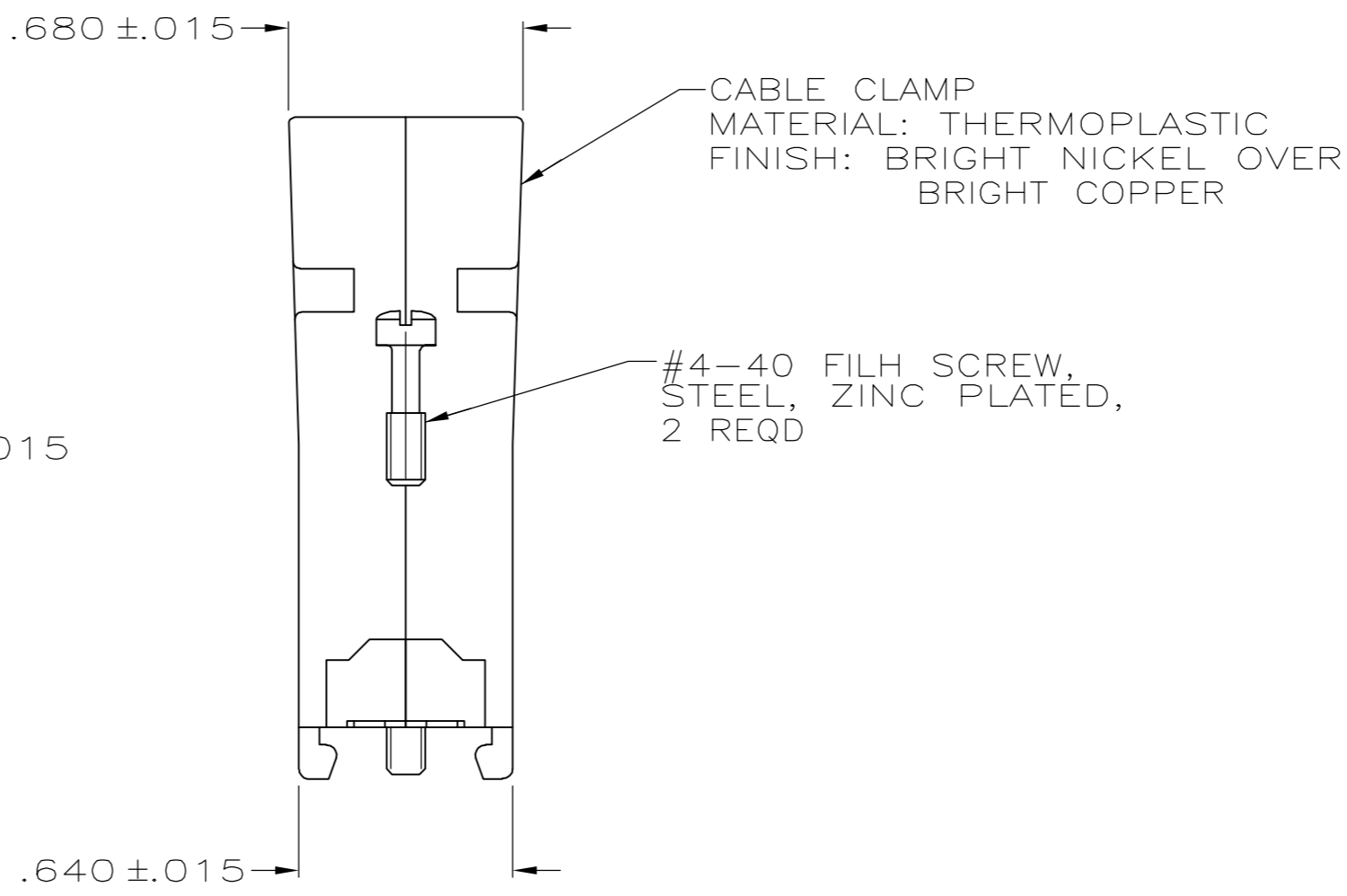
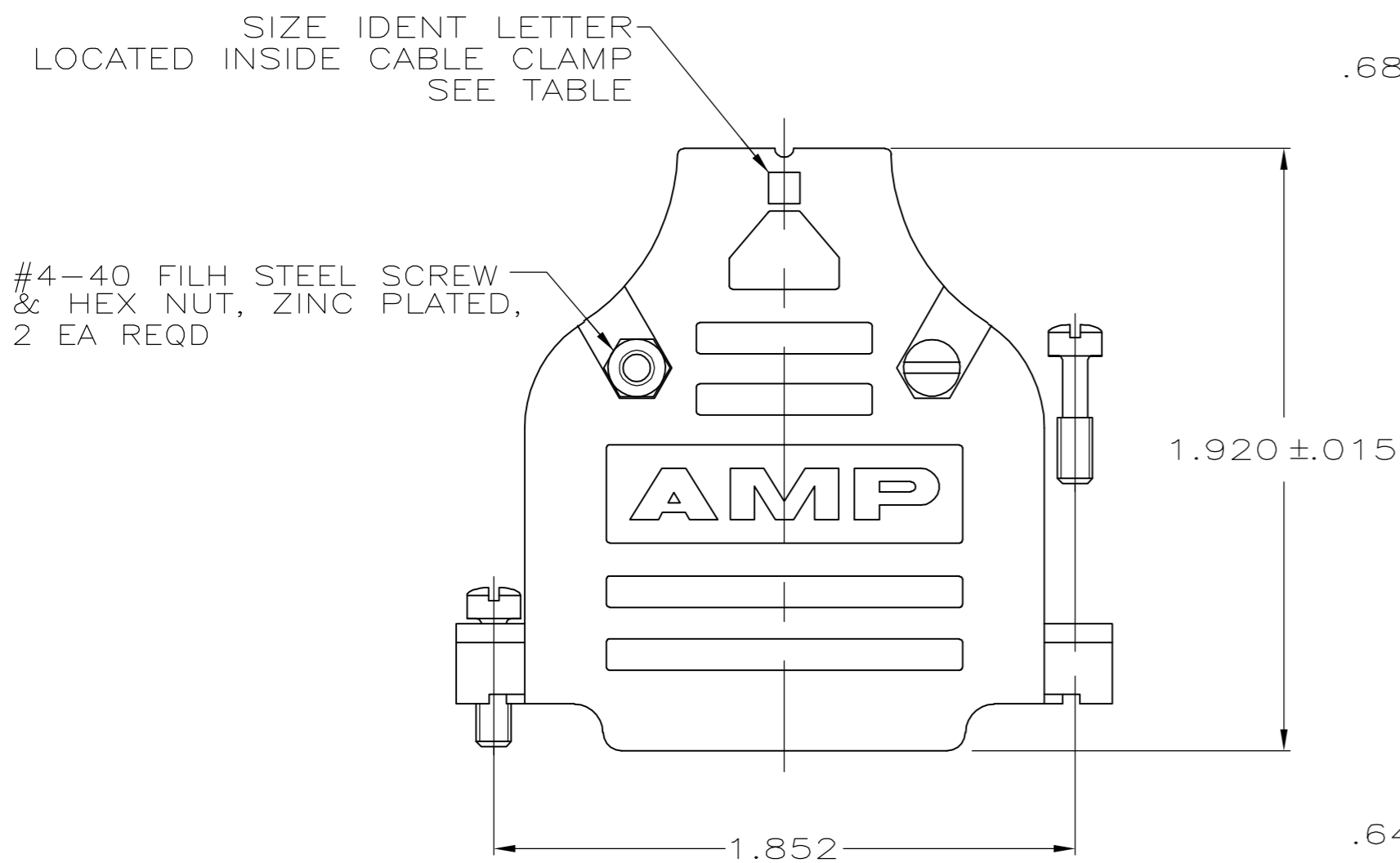
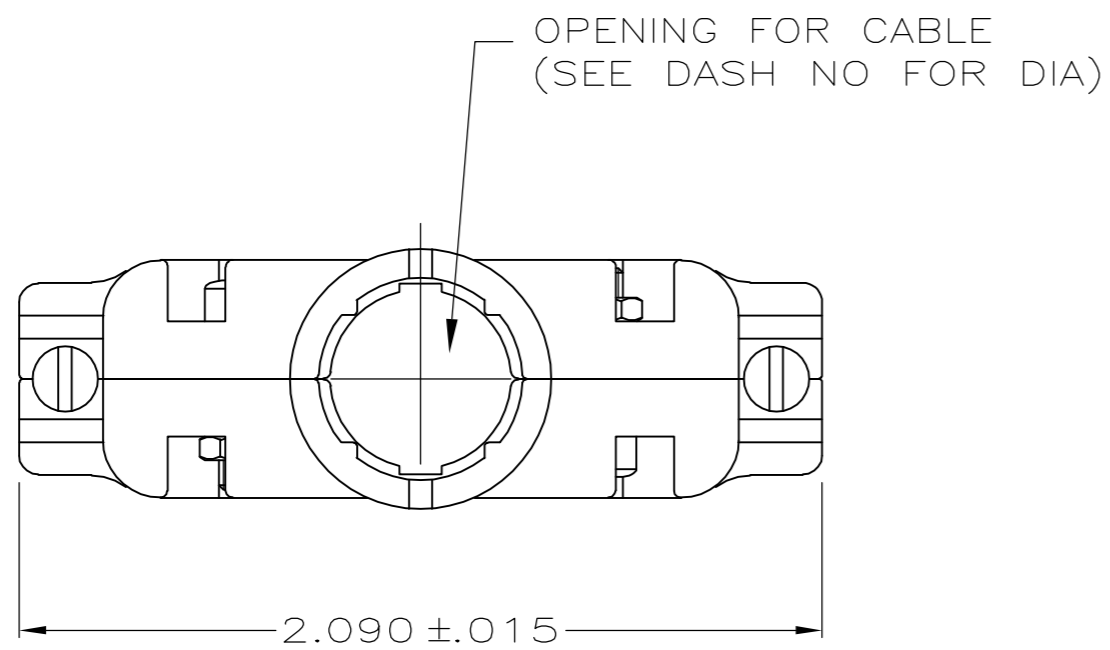
www.Jameco.com ♦ 1-800-831-4242

The content and copyrights of the attached
material are the property of its owner.

Jameco Part Number 758129

THIS DRAWING IS UNPUBLISHED. RELEASED FOR PUBLICATION
 © COPYRIGHT BY TYCO ELECTRONICS CORPORATION. ALL RIGHTS RESERVED.

LOC	DIST	REVISIONS			
P	LTR	DESCRIPTION	DATE	DWN	APVD
GP	00	D	REV PER EC 0513-0331-05	18AUG06	CR



- ① ALL PARTS PACKAGED UNASSEMBLED.
- ② AS SHOWN ABOVE, THIS KIT CONSISTS OF 2 STRAIN RELIEF HALVES, 2 #4-40 SCREWS, 2 #4-40 NUTS & 2 #4-40 MOUNTING SCREWS.
- ③ SAME AS SHOWN EXCEPT: EACH PART IS INDIVIDUALLY BULK PACKED FOR MULTIPLE KIT ORDERS.
- ④ OBSOLETE.

REMARKS	SIZE IDENT LETTER	CABLE DIA	BULK PACKED KIT NO	INDIVIDUAL KIT NO
	①	D	.280	④ 1-745833-0
	G	.350	④ 745833-8	745833-7
	K	.430	④ 745833-6	745833-5
	M	.480	④ 745833-4	④ 745833-3
	P	.530	④ 745833-2	745833-1

THIS DRAWING IS A CONTROLLED DOCUMENT.		DWN	7-25-90	Tyco Electronics Corporation	
		CHK	9-10-90	Harrisburg, PA 17105-3608	
		J.McCLINTON		CABLE CLAMP KIT, SIZE 3, 25 POSN,	
DIMENSIONS: INCHES		TOLERANCES UNLESS OTHERWISE SPECIFIED:		RESTRICTED TO	
0 PLC ± -		1 PLC ± -		SIZE	
2 PLC ± -		3 PLC ± .005		CAGE CODE	
4 PLC ± -		ANGLES ± -		DRAWING NO	
MATERIAL SEE CALLOUT		FINISH SEE CALLOUT		A2 00779 C=745833	
		WEIGHT -		SCALE 2:1	
		CUSTOMER DRAWING		SHEET 1 of 1	
				REV D	