

Electronic Training Equipment & Breadboard / Accessories



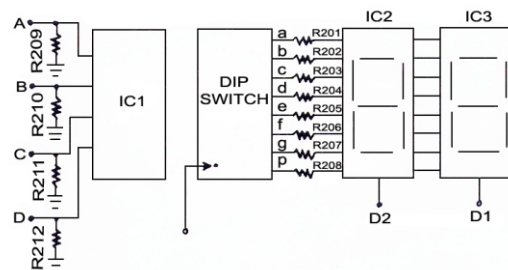
IDL-800A Digital Lab



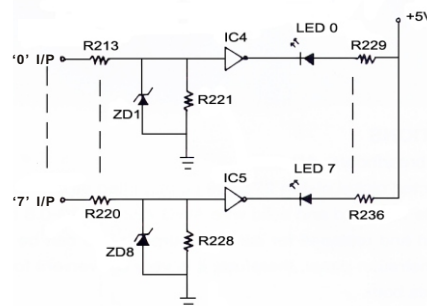
Specification

- Solderless breadboard : AD-200**
Interconnected nickel plated contact socket with a total of 1896 tie points fits all components with DP size and solid wire in diameter of AWG #22-30 (0.3~0.8 mm)
- DC power supply**
Variable DC power :
Positive output voltage : $0 \sim +15V \pm 10\%$
Negative output voltage : $0 \sim -15V \pm 10\%$
Maximum output current : 300 mA.
Line regulation : $< 0.05\% / V$ ($T_a = 25^\circ C$)
Load regulation : $< 30mV$ ($T_a = 25^\circ C$)
Fixed power supply :
Positive output voltage : $+5V \pm 10\%$
Maximum output current : 1 Amp.
Line regulation : $< 50mV$.
Load regulation : $< 100mV$.
Negative output voltage : $-5V \pm 10\%$
Maximum output current : 100mA
Line regulation : $< 25mV$.
Load regulation : $< 30mV$.
All DC power supplies with short circuit protection.
- Function generator:**
Frequency ranges : 0.1 Hz ~ 2 Hz
(6 ranges) 1 Hz ~ 20 Hz
 10 Hz ~ 200 Hz
 100 Hz ~ 2K Hz
 1KHz ~ 20K Hz
 10KHz ~ 200K Hz
Sine wave output : $0 \sim 5V_{pp} \pm 10\%$ variable
Triangle wave output : $0 \sim 5V_{pp} \pm 10\%$ variable
Square wave output : $0 \sim 15V_{pp} \pm 10\%$ variable
TTL mode output : $+5V \pm 10\%$
- Digital voltmeter :**
3½ digits LED display.
4 ranges: $0 \sim 199.9V$ full scale
 $0 \sim 19.99V$ full scale
 $0 \sim 1.999V$ full scale
 $0 \sim 199.9mV$ full scale
Input impedance : $10M\Omega$ for any range.
- Universal counter**
(1) Frequency range : 1Hz ~ 99.999999 MHz;
 10Hz ~ 100.00000 MHz
(2) Period range TH&TL : $0.01\mu s \sim 999999.99\mu s$;
 $1\mu s \sim 99.999999\mu s$
(3) Input signal : TTL or CMOS level or any level ($V_{min} \geq +2.3V_p \pm 10\%$)
(4) Display : 8-digital 7-segment LED display
(5) Counter switch : External / internal

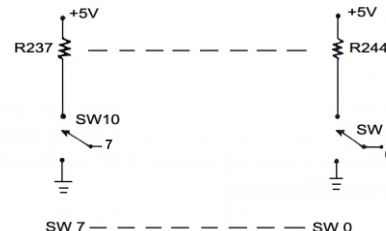
- Two digits of 7 segment LED display :
Common cathode operation



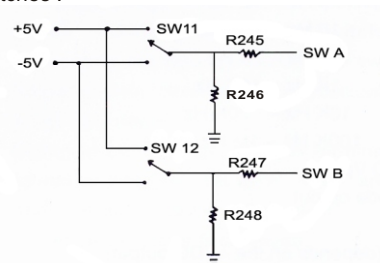
- Four point tip / banana socket / BNC socket exchange adapters
- Eight buffered LED displays :



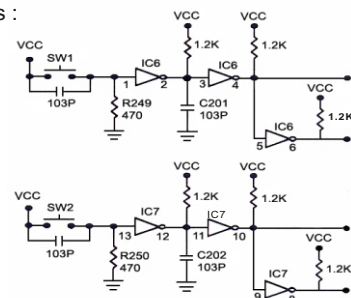
- Eight data switches :



- Two function switches :



- Two pulse switches :



- Dimensions : 480 x 360 x 200 mm (L x W x H)

- Weight : 4.2kg